



HR Shackle  
**Ghr**



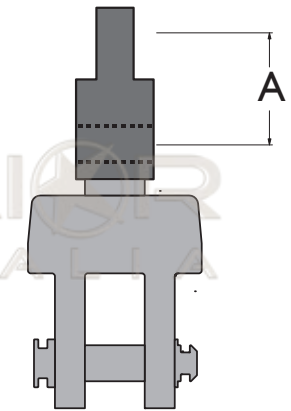
Snap Shackle  
**FRgm**



2:1 Friction Sheave  
**FR2:1LF**



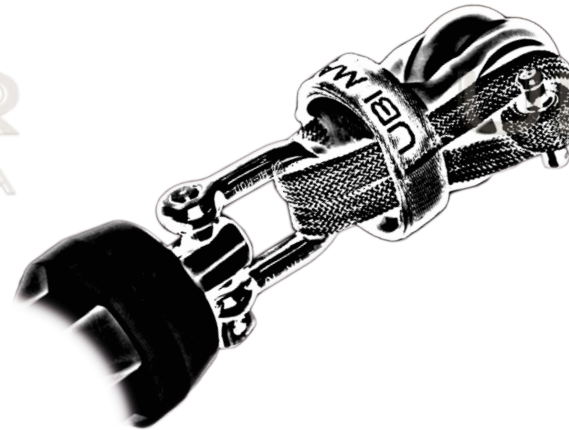
3:1 Friction Sheave  
**FR3:1LF**



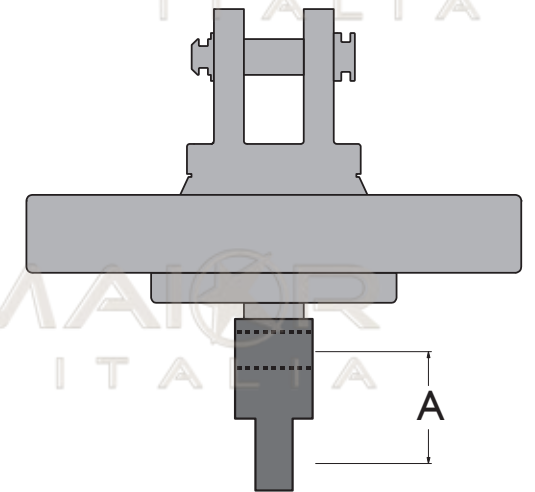
2:1 Block  
**FR2:1**



Texile Attack  
**FRLS**



HR Shackle + X3M



| MODELLI<br>MODELS | GRILLO<br>SHACKLE | MOSCHETTONE<br>SNAP SHACKLE | PULEGGIA FISSA 2:1<br>2:1 FRICTION SHEAVE | PULEGGIA FISSA 3:1<br>3:1 FRICTION SHEAVE | BOZZELLO 2:1<br>2:1 BLOCK | ATTACCO TESSILE<br>TEXTILE ATTACK | SHACKLE+X3M |
|-------------------|-------------------|-----------------------------|---|---|---------------------------|-----------------------------------|-------------|
|                   | mm                | mm                          | mm  | mm  | mm                        | mm                                | mm          |
| <b>FR87L</b>      | 20                | 45                          | x   | x   | x                         | x                                 | x           |
| <b>FR87</b>       | 20                | 45                          | x   | x   | x                         | x                                 | x           |
| <b>FR100</b>      | 20                | 45                          | x   | x   | x                         | x                                 | 85          |
| <b>FR125</b>      | 32                | 51                          | x   | x   | 46                        | x                                 | 95          |
| <b>FR150</b>      | 38                | 61                          | 60  | 65  | 50                        | 110                               | 120         |
| <b>FR200</b>      | 52                | 75                          | 65  | 73  | 60                        | 120                               | 175         |
| <b>FR250</b>      | x                 | x                           | 70  | 81  | 70                        | 130                               | 175*        |
| <b>FR250H</b>     | x                 | x                           | 70  | 81  | 70                        | 130                               | 175*        |

\*senza grillo / without shackle

| FR ACCESSORIES   |                         |
|--|-------------------------|
| Model  | <b>FR</b> AVVOLGITORI   |
| Line   | <b>FR</b> AVVOLGITORI   |
| Table  | DATA SHEET - PIN TO PIN |
| Format Size  | A4                      |
| <p>This document and the design on it is the exclusive property of UBI MAIOR ITALIA® and is the subject of copyright<br/>Brand by Dini s.r.l., Meccanica di Precisione</p> |                         |
|  |                         |