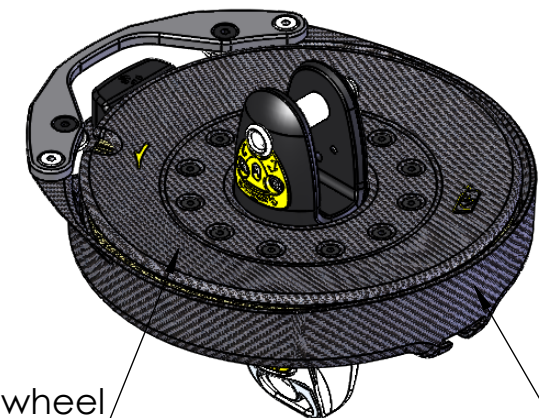
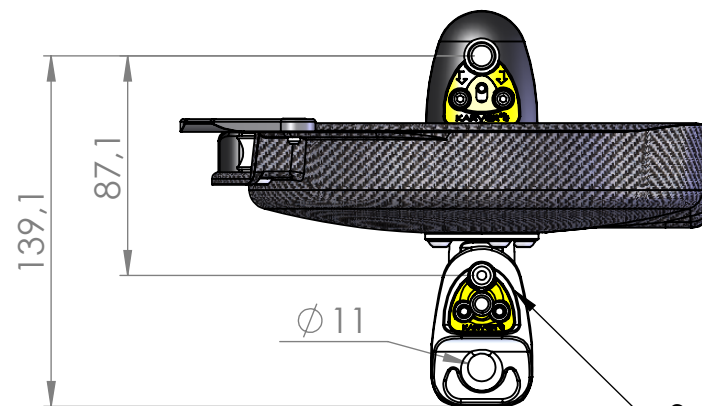
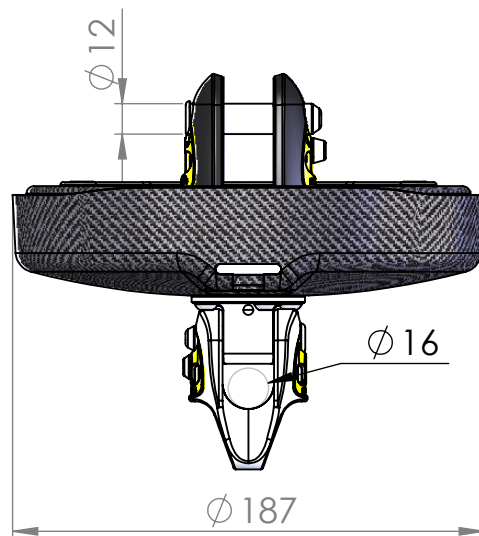


Lashing ending (88g included)

Silicone protection

Fast pin



Carbon wheel

Carbon spool

3:1 friction block (249g included)

Désignation: **Emmagasineur Racing V3**

Description: *V3 racing furler*

Maximum Working Load : 4.5T  
Charge de travail

Breaking Load : 9T  
Charge de Rupture

Material :  
Matière

Masse : 1705.007 (g)

Système:  
**KFR4.5**

Type	Famille	Code	Indice
<b>PF 300</b>		<b>450 [R]</b>	

Plus d'informations sur [www.karver-systems.com](http://www.karver-systems.com) - More information on [www.karver-systems.com](http://www.karver-systems.com)

Echelle	Format	Folio
1:3	A4	1/1

**KARVER**  
sailing experience

Av. Marcel Liabastre 14600 HONFLEUR  
Tel : 02 31 88 37 98

All rights reserved