

2 Speed Electric XT Winches

Installation Manual

For Models

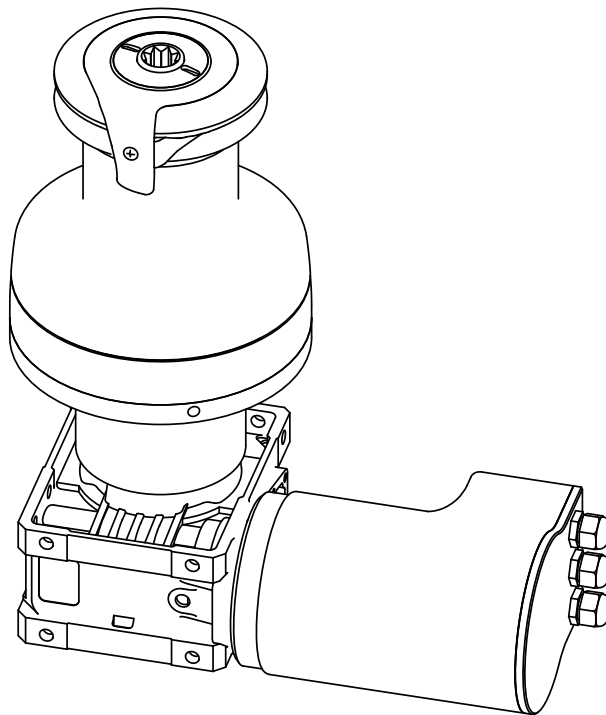
XT40EH

XT44EH

XT48EH

XT52EH

XT62EH



Antal srl unipersonale, Via del Progresso, 10, 35127, Padova, Italy.
Tel. +39 049 8701265. Fax: +39 049 760906. web: www.antal.it

Technical service: antal@antal.it

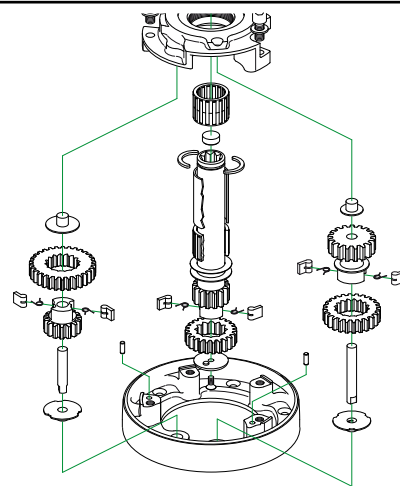
Installation Manual for Antal 2 Speed Electric XT Winches

Contents

1. Important Information	p. 3
2. Electric System	p. 4
3. Table of overall dimensions	p. 6
4. Installation	p. 7
5. Maintenance of the Winch	p. 10
6. Warranty	p. 11

Need the exploded view drawing of your XT Winch?

Download the full Installation and maintenance manual from www.antal.it



Contacts

Antal srl unipersonale, Via del Progresso, 10, 35127, Padova, Italy.
Tel. +39 049 8701265. Fax: +39 049 760906. web: www.antal.it

Technical service: antal@antal.it

XT40EH, XT44EH, XT48EH, XT52EH, XT62EH

1. Important Information

The present Installation Manual contains important information for the correct use of 2 Speed Electrical XT winches and you are therefore advised to read it carefully before using the product.

The present manual gives technical information for the installation and the maintenance of the following XT winch models: XT40EH, XT44EH, XT48EH, XT52EH, XT62EH. In case of technical queries, contact antal@antal.it.

These models are equipped with an electric horizontal motor and a speed reducer with a worm screw.

Use

Simply insert the handle to disconnect the speed reducer-motor unit.

- ⚠ For Greater Safety: accidental starting of the motor does not affect the winch, avoiding dangerous turning of the handle.
- ⚠ For Greater Efficiency: the speed reducer-motor unit does not turn in manual use, avoiding needless friction.

Speed

Electric winches retain two speeds both in manual use (inverting the direction of rotation of the handle) and in electric use (pressing one of the two control buttons).

It is of fundamental importance to be able to choose the most suitable speed for the manoeuvre that you want to perform; this allows fast recovery of the first part of the manoeuvre and more careful regulation in the final stage.

In electric winches the speeds are higher than in manual use even if, at maximum load, a speed reduction up to 30% must be considered.

Power

Motors with a power of 700 or 1000 Watt are used to drive the winches, depending on the size of the model. Considering a mean reduction gear efficiency of 70%, this gives powers of 490 or 700 Watt at winch intake. It is interesting to compare these figures with the power value in manual use, which is conventionally considered to be 400 Watt.

Winch Drum

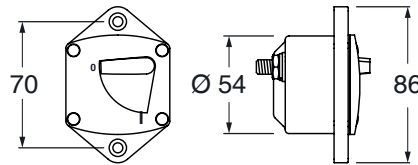
Antal powered winches come supplied with a chrome - plated bronze drum. Black anodized aluminium drums are available on request, in this case the aluminium drum is "reinforced" applying a special toothed crown gear of high resistance alloy or chromed bronze.

XT40EH, XT44EH, XT48EH, XT52EH, XT62EH

2. Electric System

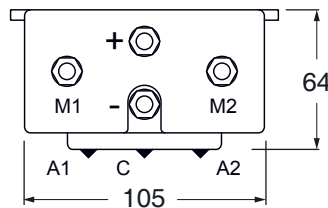
Breaker

The thermal switches indicated in the following table have dimensions calculated to break the circuit in case of exceptional overload; it is possible to consider thermal relays with a setting at a lower level.



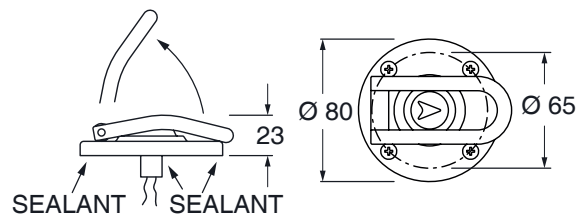
Control Box

Contains the solenoids for activating the motor in button control operation.



Switches - Mod. 251.035

Two switches are needed to activate the two speeds of each winch; these are conventionally the red one for the first and the grey one for the second speed.



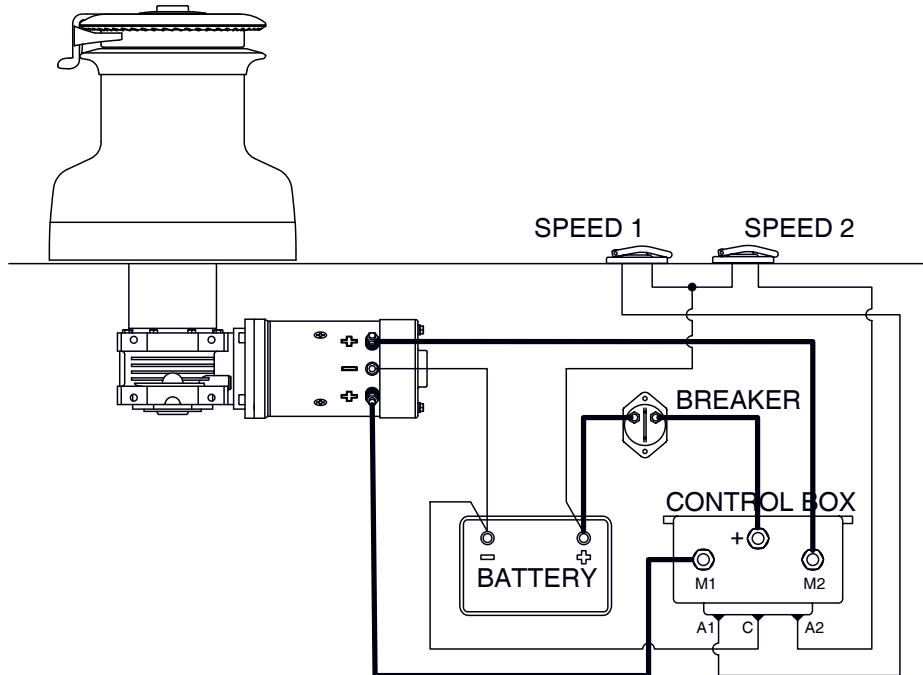
Although the microswitch is protected by a watertight diaphragm, the stainless steel ring nut is provided with a seat for sealant; more sealant must also be put in the hole through which the electric wire passes.

XT40EH, XT44EH, XT48EH, XT52EH, XT62EH

Electric System

The electric system must be installed by specialised personnel, in compliance with the regulations in force; some general information is given below.

For the electric diagram directions included in the control box should be consulted.



Power Cables

The table lists suggested values for the cable sections; these values must be increased for very long distance or for prolonged use.

Button Cables

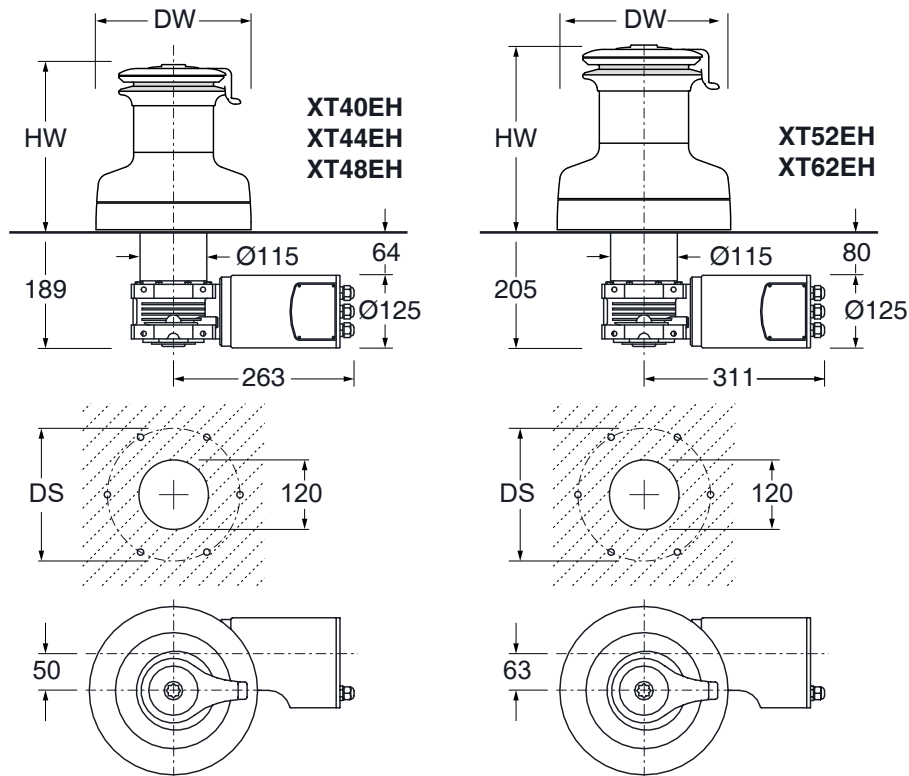
2 Recommended section 1.5 to 2.5 mm .

Model	Motor		Battery Amp/H	Cable mm ²	Breaker Amp		Control Box Model
	Watt	Volt			mod.		
XT40EH XT44EH XT48EH	700	12	100/140	30	mod. A071	70	T6315/12
		24	50/70	20	mod. A041	40	T6315/24
XT52EH XT62EH	1000	12	150/200	35	mod. A081	80	T6315/12
		24	75/100	25	mod. A041	40	T6315/24

XT40EH, XT44EH, XT48EH, XT52EH, XT62EH

3. Table of overall dimensions

Model	Motor Watt	Speed - m/min		SWL kg	Weight kg	Deck Screws No. x Ø	DS mm	HW mm	DW mm
		1	2						
XT40EH	700	18.0	6.0	800	17.9	5 x 8	140	172	154
XT44EH	700	12.0	5.5	900	20.6	6 x 8	147	202	173
XT48EH	700	9.5	5.0	1000	22.4	6 x 8	156	214	182
XT52EH	1000	16.0	4.6	1200	29.3	6 x 8	174	233	204
XT62EH	1000	13.0	4.0	1400	31.1	6 x 8	194	235	224



Line Recovery Speed

Recovery speed are indicative values, theoretically calculated without considering the real installation moreover a speed reduction has to be considered in the presence of load about 30% reduction under the max load.

4. Installation

Valid for models:

**XT44EH, XT48EH,
XT52EH, XT62EH**

① **Opening the Winch**

First of all, unscrew the upper ring (R) with the provided key (K). Thus lift the drum (D) to access the anchoring holes on the skirt (S) of the winch.

② **Winch Motor Disassembly**

Disassemble the new Winch XT-EH:

After lifting the Drum (D), it is possible to remove the skirt (S) of the winch from the flange (F), unscrewing the 6 screws F1.

Remove the Motor Unit:

Remove the Motor Unit from the flange (F), unscrewing the screws F2.

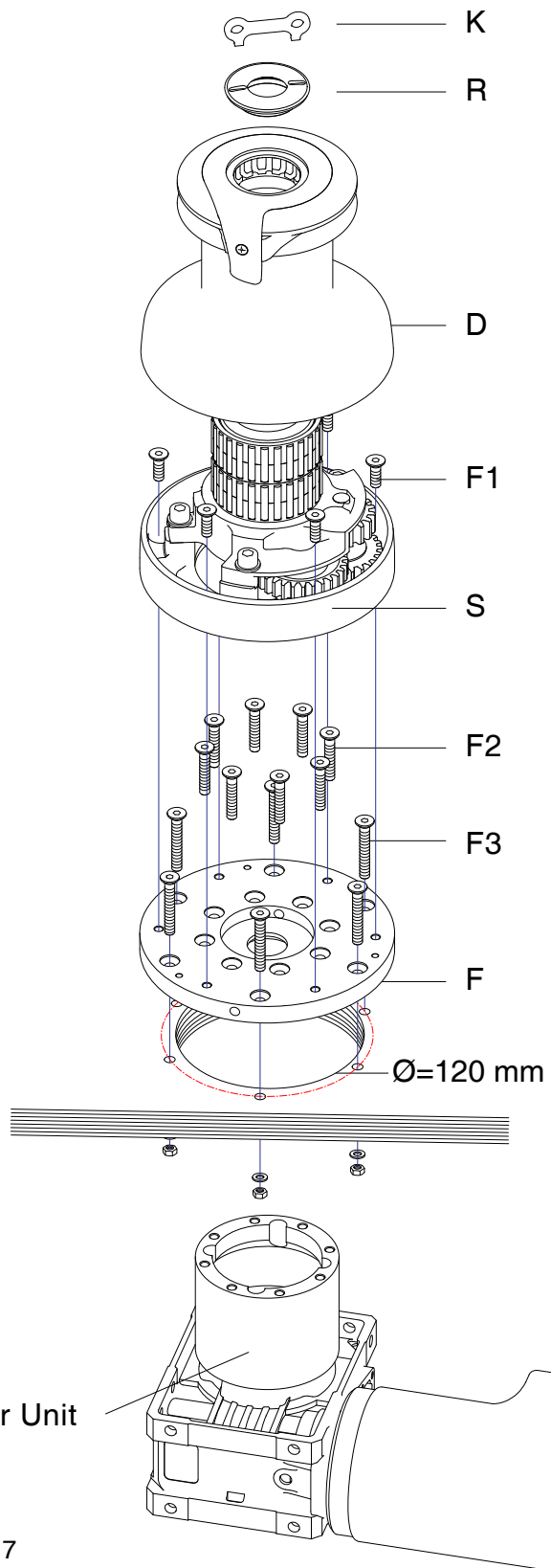
③ **Install XT-EH**

Drill the deck:

Drill the deck ($\varnothing = 120$ mm) to let the reduction-gear motor unit through.

Fix the Motor:

Thus, fix the flange F on the deck with 6 anchoring screws F3 from above (not supplied by Antal). Finally Install the Motor Unit screwing in the F2 screws.



XT40ELH

**Valid for model:
XT40EH**

① **Opening the Winch**

First of all, unscrew the upper ring (R) with the provided key (K). Thus lift the drum (D) to access the anchoring holes on the skirt (S) of the winch.

② **Winch Motor Disassembly**

Disassemble the new Winch XT40EH:

After lifting the Drum (D), it is possible to remove the skirt (S) of the winch from the flange (F), unscrewing the 5 screws F1.

Remove the Motor Unit:

Remove the Motor Unit from the flange (F), unscrewing the screws F2.

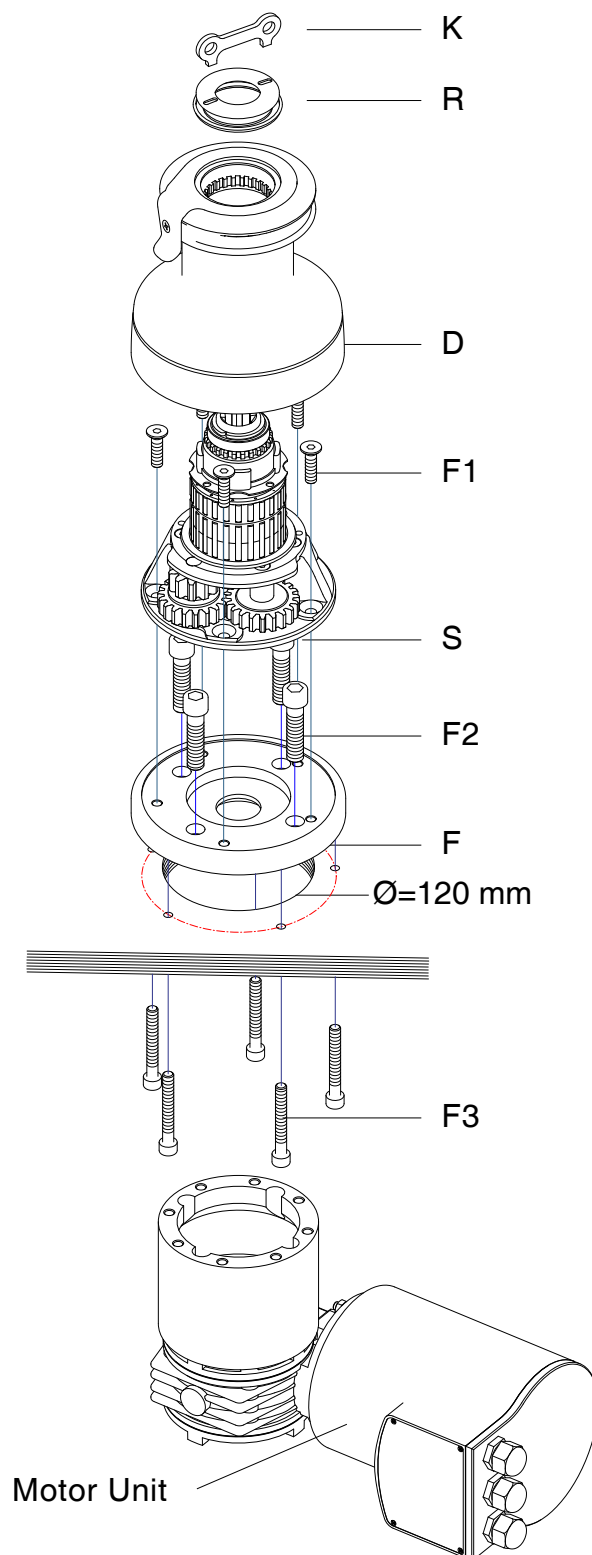
③ **Install XT40EH**

Drill the deck:

Drill the deck ($\varnothing = 120$ mm) to let the reduction-gear motor unit through.

Fix the Motor:

Thus, fix the flange F on the deck with 5 anchoring screws F3 from underneath (not supplied by Antal). Finally Install the Motor Unit screwing in the F2 screws.

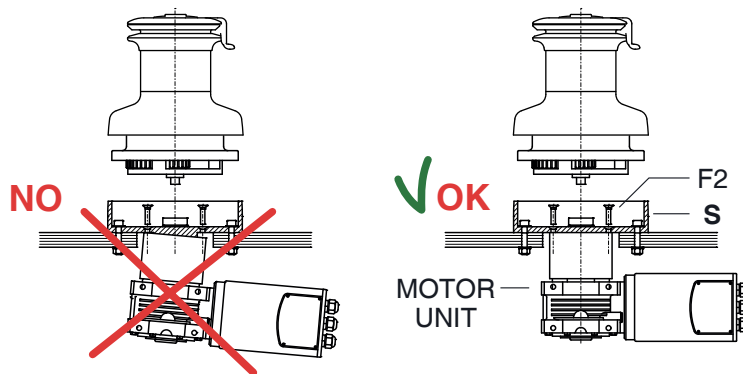


XT40EH, XT44EH, XT48EH, XT52EH, XT62EH

- ⚠ Ensure that the drainage holes of the sub-base are facing in the right direction.
- ⚠ Seal the holes for the anchoring screws and the join between the skirt and the deck with silicone.

④ **Winch Assembly**

Reassemble the winch, inverting the operations described above in points 2 and 1. Fix the motor unit to the sub-base, tighten the 8 screws F2 so that the Motor Unit matches perfectly to the flange (F).



- ⚠ Seal this join with a silicone gasket (such as Motorsil Arexons).

Caution - The weight of the motor unit must be supported from below so as to distribute its tension correctly on the screws F2, the uneven distribution of the unit's weight could cause it to tilt with respect to the flange F, jeopardising perfect coupling and therefore the operation of the electric winch.

- ⚠ For the same reason the motor unit must not «touch» the deck or the structures below it.

⑤ **Lubrication**

During assembly all the steel screws and washers must be generously greased to avoid corrosion phenomena in the areas in contact with aluminium parts.

Antal supplies a special grease for marine applications:
HDR in 150 gr packs.

This product is an excellent lubricant and ensures lasting protection of the aluminium against corrosion phenomena.

XT40EH, XT44EH, XT48EH, XT52EH, XT62EH

5. Maintenance of the Winch

Frequent maintenance. All XT winches should be washed frequently, and in any case after each use, to avoid the accumulation of salt. Use plenty of fresh water and clean it on all visible surfaces. Ensure the cleaning of the drainage channels placed at the bottom of the winch, to avoid water stagnation.

Complete maintenance. With seasonal frequency XT winches should be inspected visually inside.

Important Concepts



The complete maintenance includes the opening of the winch, the cleaning of the parts from old lubricants and the new lubrication of all moving parts.

Parts in need of maintenance. The most relevant parts are those subject to movement and rubbing. These are the roller bearings, the gears and pawls, the stem and the inside of the drum. For the complete maintenance of the winch, disassemble the winch in order to access the relevant parts.

Hydrolub Antal Grease. We recommend the use of Antal Grease, a grease especially made for lubrication of winches and protection of aluminum parts in the marine environment (Mod. HDR).

Cleaning. Remove old lubricant. In order to do so use a soft bristle brush and solvent (use diesel in case you do not have other solvents).

Lubrication. It increases the performance and prolongs the life of the winch. Also, it prevents the natural accumulation of salt to obstruct the inner mechanism. Also, if you are using the HDR Antal Grease, it also protects the aluminum parts from galvanic corrosion, too.

Thus we advise to put a thin layer of HDR Antal Grease; not only to lubricate all moving parts, but also to protect the aluminum surfaces in contact with s.steel parts, e.g. screws.

Kit Winch. Antal provides a repair kit winch containing pawls and springs (Mod. XTKIT).

All detailed information about Maintenance are contained in the Installation and Maintenance Manual of the XT Winches. To download the manuals, go on internet at the winch page, or digit www.antal.it

XT40EH, XT44EH, XT48EH, XT52EH, XT62EH

6. Warranty

Antal guarantees its equipment to be free of defects in material and workmanship for 3 years from the date of purchase. During this period defective parts will be repaired or replaced by Antal. Warranty does not cover: products incorrectly installed; products used in applications for which they are not intended; products used under loads exceeding the product's stated loads; products not properly maintained. Also, warranty does not cover defects due to corrosion, U-V degradation, and normal wear and tear.

Products subject to warranty claim will be returned to Antal for examination and possible repairing or replacement. Antal is not responsible for installation or shipping costs.