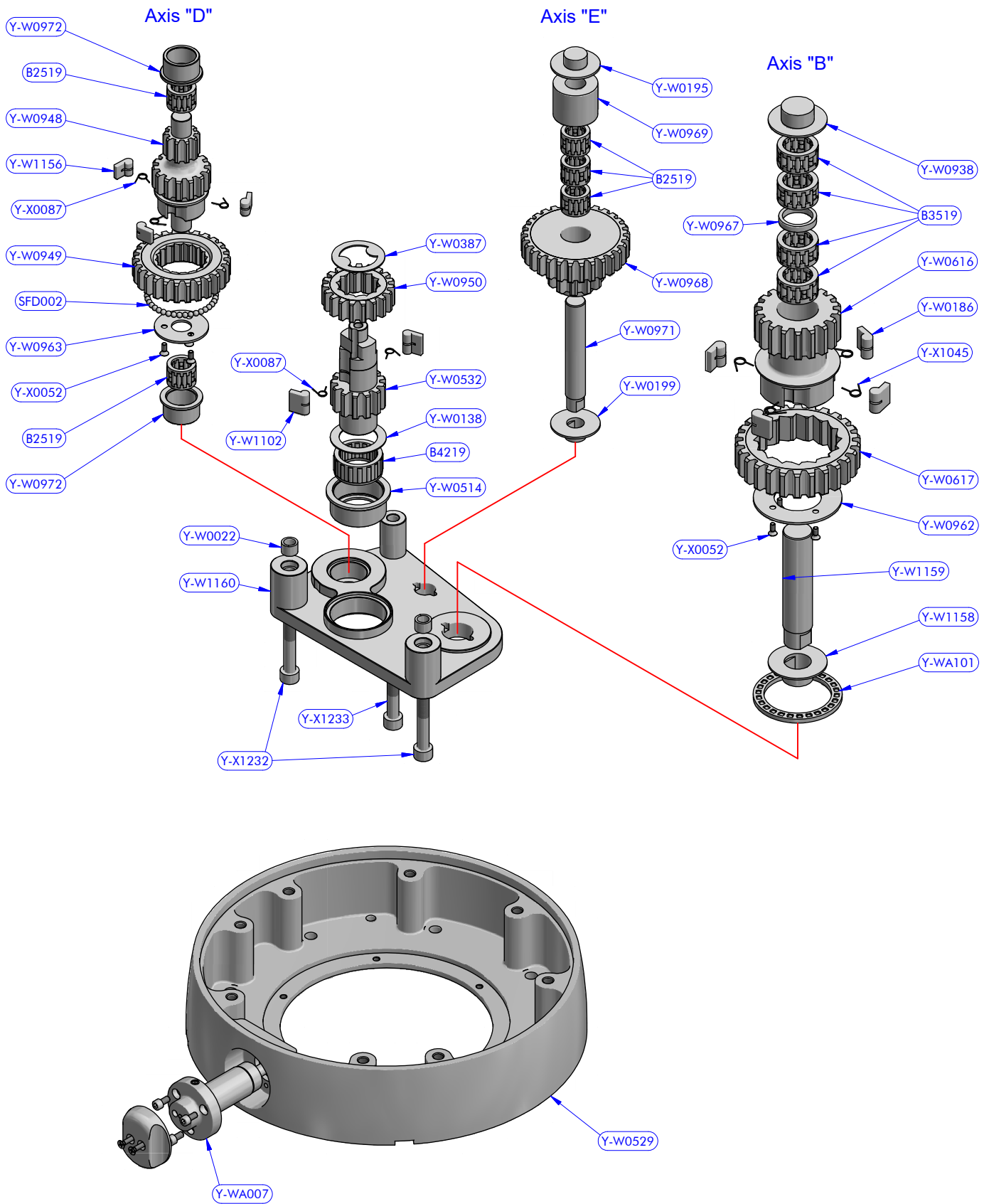


antal

FAMILY	XT series	ARTICLE	Exploded view
DESCRIPTION	Exploded view		

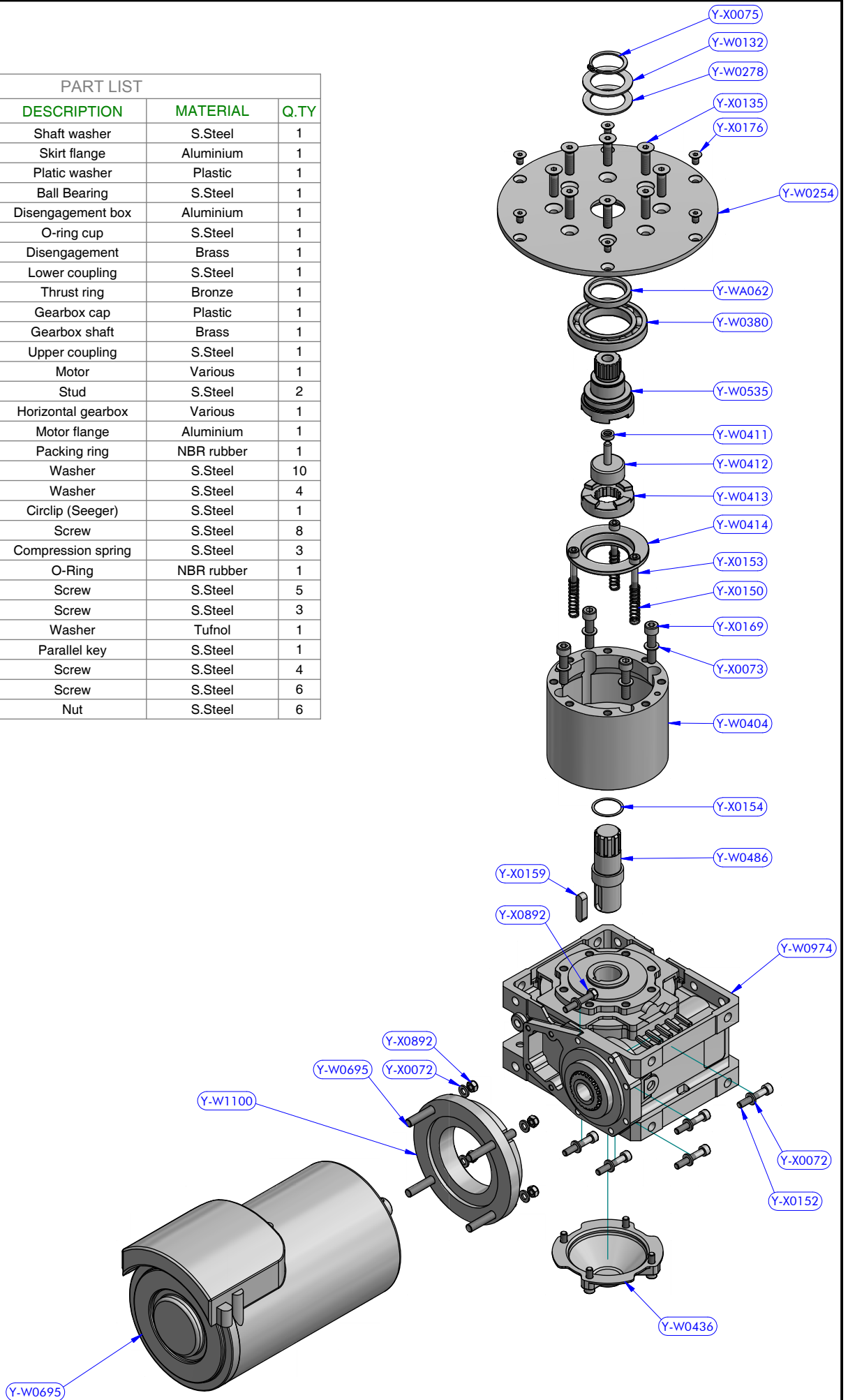
MODEL CODE	XT80.3/CH Powered version
------------	-------------------------------------

DATE	02/01/2020	REV.	03
DWG N.	20010201	PG.	1 / 3



PART LIST				PART LIST			
CODE	DESCRIPTION	MATERIAL	Q.TY	CODE	DESCRIPTION	MATERIAL	Q.TY
B19448	Roller bearing	Plastic / S.Steel	1	Y-W0938	Gear upper washer	Plastic	1
B2519	Roller bearing	Plastic / S.Steel	5	Y-W0948	Gear "D2"	Bronze	1
B3519	Roller bearing	Plastic / S.Steel	4	Y-W0949	Gear "D1"	Bronze	1
B4219	Roller bearing	Plastic / S.Steel	1	Y-W0950	Gear "A2"	Bronze	1
B4234	Roller bearing	Plastic / S.Steel	2	Y-W0953	3 speed tow	Bronze	1
B8937	Roller bearing	Plastic / S.Steel	1	Y-W0962	Gear B2 cap	S.Steel	1
SFD002	Delrin ball 3/16"	Plastic	38	Y-W0963	Gear D1 cap	Aluminium	1
SFD003	Delrin ball 13/32"	Plastic	49	Y-W0964	Gear "A3"	Bronze	1
SFT001	Torlon ball 13/32"	Plastic	47	Y-W0967	Plastic spacer	Plastic	1
Y-W0003	Upper ring	S.Steel	1	Y-W0968	Dual gear "E1 / E2"	Bronze	1
Y-W0006	Upper ring washer	Plastic	1	Y-W0969	Plastic spacer	Mekton	1
Y-W0022	Pipe spacer	S.Steel	2	Y-W0971	Gear spindle	S.Steel HR	1
Y-W0023	Bearing track	Plastic / S.Steel	1	Y-W0972	S.Steel track	Various	2
Y-W0049	ST disk bush	Plastic	6	Y-W0973	Shaft spacer	Plastic	1
Y-W0101	Half-ring	Brass	2	Y-W0979	Drum extension	Aluminium	1
Y-W0138	Shaft washer	S.Steel	1	Y-W0990	Stem	Brass	1
Y-W0143	ST plug	Plastic	6	Y-W1095	Spindle	S.Steel	4
Y-W0186	Pawl	Chromed bronze	4	Y-W1096	Disengagement rod	S.Steel	1
Y-W0195	Gear upper washer	Plastic	1	Y-W1102	Pawl	Chromed bronze	2
Y-W0199	Gear lower washer	Plastic	1	Y-W1156	Pawl	Chromed bronze	3
Y-W0205	Drum	Chromed brass	1	Y-W1158	Gear lower washer	Plastic	1
Y-W0387	Washer	S.Steel	1	Y-W1159	Gear spindle	S.Steel HR	1
Y-W0390	ST central disk	Aluminium	1	Y-W1160	Gear base	Aluminium	1
Y-W0391	ST lower disk	Chromed brass	1	Y-WA001	ST-spring assy	S.Steel	6
Y-W0392	Upper disk	Chromed brass	1	Y-WA007	Push button	Various	1
Y-W0394	Upper B.B. track	Aluminium	1	Y-WA101	Ball bearing	Plastic	1
Y-W0395	Lower B.B. track	Aluminium	1	Y-X0052	Screw	S.Steel	7
Y-W0396	Stripper	Plastic	1	Y-X0054	Screw	S.Steel	1
Y-W0398	Stem extension	Brass	1	Y-X0062	Screw	S.Steel	7
Y-W0400	Main shaft	S.Steel	1	Y-X0069	Screw	S.Steel	8
Y-W0401	ST arm	Chromed brass	1	Y-X0071	Screw	S.Steel	6
Y-W0434	Disengagement rod head	S.Steel	1	Y-X0072	Washer	S.Steel	10
Y-W0484	Fork roll pin	S.Steel	2	Y-X0081	Nut	S.Steel	1
Y-W0485	Fork	Aluminium	1	Y-X0082	Set screw	S.Steel	2
Y-W0514	Bearing track	Plastic / S.Steel	1	Y-X0087	Pawl spring	S.Steel	5
Y-W0515	Threaded axis	S.Steel	1	Y-X0179	Screw	S.Steel	2
Y-W0516	Fork stand	Aluminium	1	Y-X0189	Nut	S.Steel	1
Y-W0517	Fork lever	Aluminium	1	Y-X0195	Screw	S.Steel	7
Y-W0529	Skirt	Aluminium	1	Y-X0196	Compression spring	S.Steel	1
Y-W0530	Base	Aluminium	1	Y-X0892	Nut	S.Steel	2
Y-W0532	Lower shaft	S.Steel HR	1	Y-X1045	Pawl spring	S.Steel	4
Y-W0616	Gear "B2"	Bronze	1	Y-X1232	Screw	S.Steel	2
Y-W0617	Gear "B1"	Bronze	1	Y-X1233	Screw	S.Steel	1
Y-W0721	Opening tool	S.Steel	1				

PART LIST			
CODE	DESCRIPTION	MATERIAL	Q.TY
Y-W0132	Shaft washer	S.Steel	1
Y-W0254	Skirt flange	Aluminium	1
Y-W0278	Platic washer	Plastic	1
Y-W0380	Ball Bearing	S.Steel	1
Y-W0404	Disengagement box	Aluminium	1
Y-W0411	O-ring cup	S.Steel	1
Y-W0412	Disengagement	Brass	1
Y-W0413	Lower coupling	S.Steel	1
Y-W0414	Thrust ring	Bronze	1
Y-W0436	Gearbox cap	Plastic	1
Y-W0486	Gearbox shaft	Brass	1
Y-W0535	Upper coupling	S.Steel	1
Y-W0695	Motor	Various	1
Y-W0716	Stud	S.Steel	2
Y-W0974	Horizontal gearbox	Various	1
Y-W1100	Motor flange	Aluminium	1
Y-WA062	Packing ring	NBR rubber	1
Y-X0072	Washer	S.Steel	10
Y-X0073	Washer	S.Steel	4
Y-X0075	Circlip (Seeger)	S.Steel	1
Y-X0135	Screw	S.Steel	8
Y-X0150	Compression spring	S.Steel	3
Y-X0151	O-Ring	NBR rubber	1
Y-X0152	Screw	S.Steel	5
Y-X0153	Screw	S.Steel	3
Y-X0154	Washer	Tufnol	1
Y-X0159	Parallel key	S.Steel	1
Y-X0169	Screw	S.Steel	4
Y-X0176	Screw	S.Steel	6
Y-X0892	Nut	S.Steel	6



antal

FAMILY	XT series	ARTICLE	Horizontal drive
DESCRIPTION	Exploded view		

MODEL CODE	Y-WA085
------------	----------------

DATE	04/03/2019	REV.	00
DWG N.	19030402	PG.	1 / 1