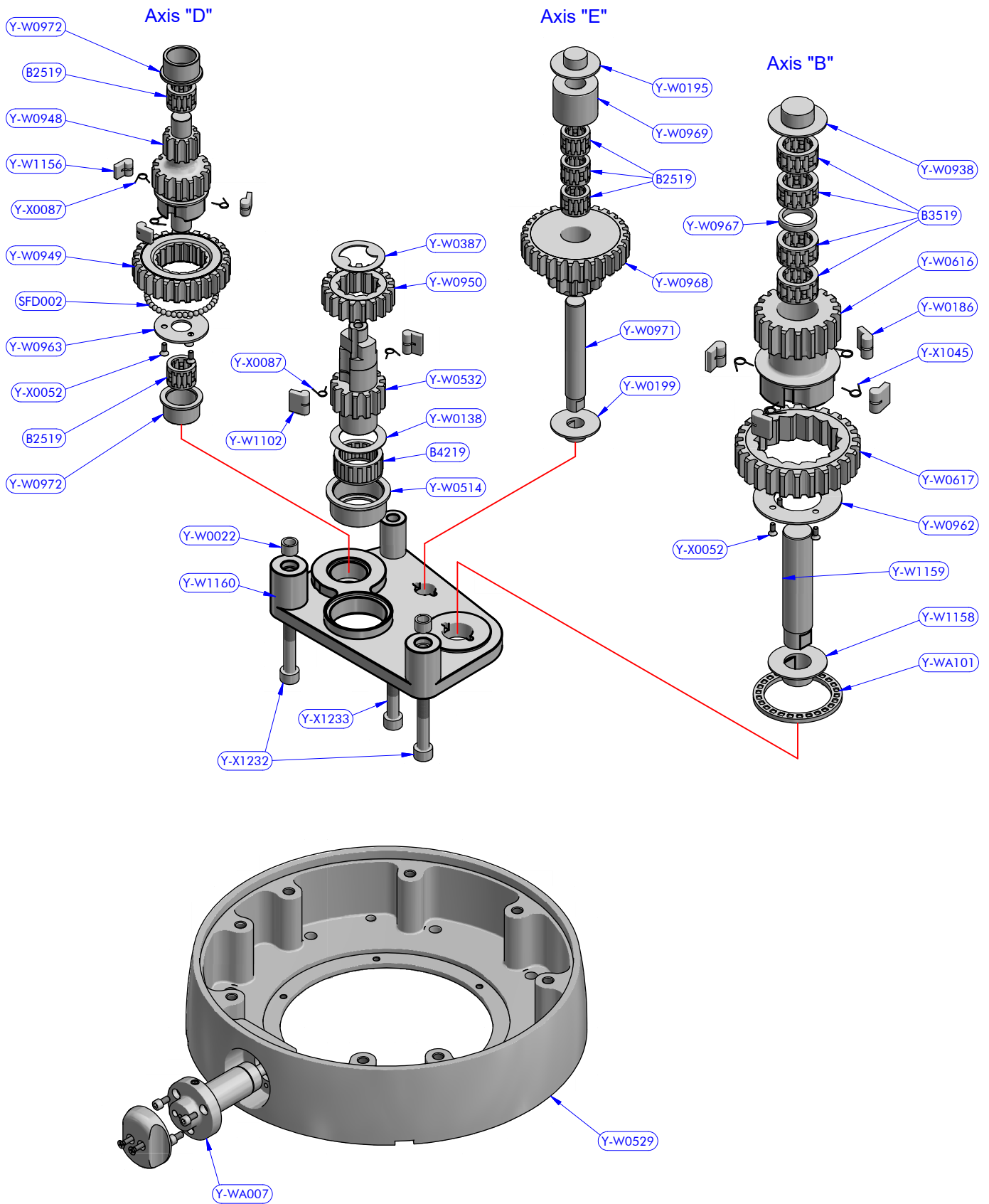


antal

| | | | |
|-------------|---------------|---------|---------------|
| FAMILY | XT series | ARTICLE | Exploded view |
| DESCRIPTION | Exploded view | | |

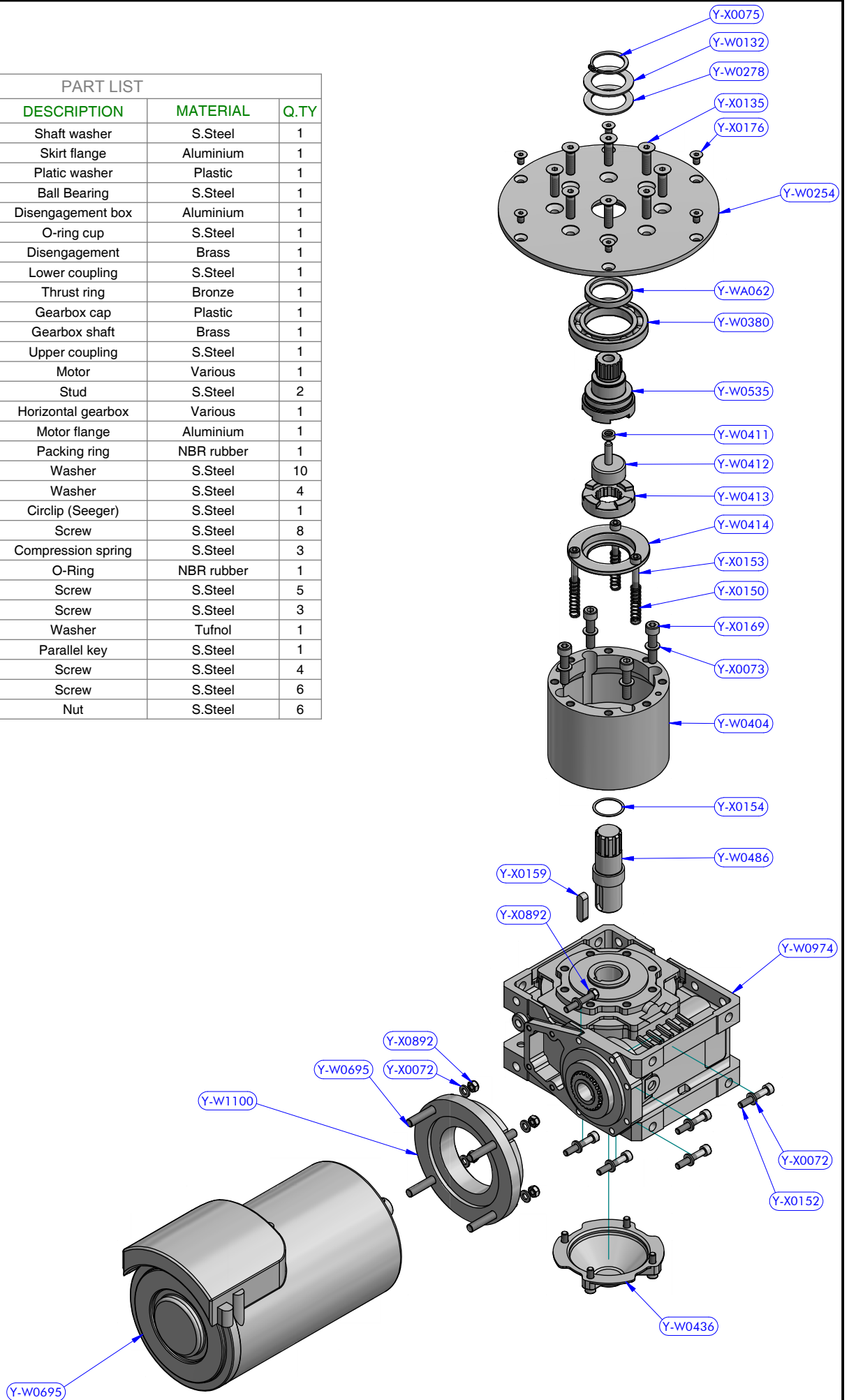
| | |
|------------|-------------------------------------|
| MODEL CODE | XT80.3/AL Powered version |
|------------|-------------------------------------|

| | | | |
|--------|------------|------|-------|
| DATE | 02/01/2020 | REV. | 03 |
| DWG N. | 20010205 | PG. | 1 / 3 |



| PART LIST | | | | PART LIST | | | |
|-----------|------------------------|-------------------|------|-----------|---------------------|----------------|------|
| CODE | DESCRIPTION | MATERIAL | Q.TY | CODE | DESCRIPTION | MATERIAL | Q.TY |
| B19448 | Roller bearing | Plastic / S.Steel | 1 | Y-W0953 | 3 speed tow | Bronze | 1 |
| B2519 | Roller bearing | Plastic / S.Steel | 5 | Y-W0962 | Gear B2 cap | S.Steel | 1 |
| B3519 | Roller bearing | Plastic / S.Steel | 4 | Y-W0963 | Gear D1 cap | Aluminium | 1 |
| B4219 | Roller bearing | Plastic / S.Steel | 1 | Y-W0964 | Gear "A3" | Bronze | 1 |
| B4234 | Roller bearing | Plastic / S.Steel | 2 | Y-W0967 | Plastic spacer | Plastic | 1 |
| B8937 | Roller bearing | Plastic / S.Steel | 1 | Y-W0968 | Dual gear "E1 / E2" | Bronze | 1 |
| SFD002 | Delrin ball 3/16" | Plastic | 38 | Y-W0969 | Plastic spacer | Mekton | 1 |
| SFD003 | Delrin ball 13/32" | Plastic | 49 | Y-W0971 | Gear spindle | S.Steel HR | 1 |
| SFT001 | Torlon ball 13/32" | Plastic | 47 | Y-W0972 | S.Steel track | Various | 2 |
| Y-W0003 | Upper ring | S.Steel | 1 | Y-W0973 | Shaft spacer | Plastic | 1 |
| Y-W0006 | Upper ring washer | Plastic | 1 | Y-W0977 | ST upper disk | Aluminium | 1 |
| Y-W0022 | Pipe spacer | S.Steel | 2 | Y-W0978 | Lower disk | Aluminium | 1 |
| Y-W0023 | Bearing track | Plastic / S.Steel | 1 | Y-W0979 | Drum extension | Aluminium | 1 |
| Y-W0049 | ST disk bush | Plastic | 6 | Y-W0980 | ST arm | Aluminium | 1 |
| Y-W0101 | Half-ring | Brass | 2 | Y-W0990 | Stem | Brass | 1 |
| Y-W0138 | Shaft washer | S.Steel | 1 | Y-W1095 | Spindle | S.Steel | 4 |
| Y-W0143 | ST plug | Plastic | 6 | Y-W1096 | Disengagement rod | S.Steel | 1 |
| Y-W0186 | Pawl | Chromed bronze | 4 | Y-W1102 | Pawl | Chromed bronze | 2 |
| Y-W0195 | Gear upper washer | Plastic | 1 | Y-W1156 | Pawl | Chromed bronze | 3 |
| Y-W0199 | Gear lower washer | Plastic | 1 | Y-W1158 | Gear lower washer | Plastic | 1 |
| Y-W0387 | Washer | S.Steel | 1 | Y-W1159 | Gear spindle | S.Steel HR | 1 |
| Y-W0390 | ST central disk | Aluminium | 1 | Y-W1160 | Gear base | Aluminium | 1 |
| Y-W0394 | Upper B.B. track | Aluminium | 1 | Y-WA001 | ST-spring assy | S.Steel | 6 |
| Y-W0395 | Lower B.B. track | Aluminium | 1 | Y-WA007 | Push button | Various | 1 |
| Y-W0396 | Stripper | Plastic | 1 | Y-WA093 | Drum | Various | 1 |
| Y-W0398 | Stem extension | Brass | 1 | Y-WA101 | Ball bearing | Plastic | 1 |
| Y-W0400 | Main shaft | S.Steel | 1 | Y-X0052 | Screw | S.Steel | 7 |
| Y-W0434 | Disengagement rod head | S.Steel | 1 | Y-X0054 | Screw | S.Steel | 1 |
| Y-W0484 | Fork roll pin | S.Steel | 2 | Y-X0062 | Screw | S.Steel | 7 |
| Y-W0485 | Fork | Aluminium | 1 | Y-X0069 | Screw | S.Steel | 8 |
| Y-W0514 | Bearing track | Plastic / S.Steel | 1 | Y-X0071 | Screw | S.Steel | 6 |
| Y-W0515 | Threaded axis | S.Steel | 1 | Y-X0072 | Washer | S.Steel | 10 |
| Y-W0516 | Fork stand | Aluminium | 1 | Y-X0081 | Nut | S.Steel | 1 |
| Y-W0517 | Fork lever | Aluminium | 1 | Y-X0082 | Set screw | S.Steel | 2 |
| Y-W0529 | Skirt | Aluminium | 1 | Y-X0087 | Pawl spring | S.Steel | 5 |
| Y-W0530 | Base | Aluminium | 1 | Y-X0179 | Screw | S.Steel | 2 |
| Y-W0532 | Lower shaft | S.Steel HR | 1 | Y-X0189 | Nut | S.Steel | 1 |
| Y-W0616 | Gear "B2" | Bronze | 1 | Y-X0195 | Screw | S.Steel | 7 |
| Y-W0617 | Gear "B1" | Bronze | 1 | Y-X0196 | Compression spring | S.Steel | 1 |
| Y-W0721 | Opening tool | S.Steel | 1 | Y-X0892 | Nut | S.Steel | 2 |
| Y-W0938 | Gear upper washer | Plastic | 1 | Y-X1045 | Pawl spring | S.Steel | 4 |
| Y-W0948 | Gear "D2" | Bronze | 1 | Y-X1232 | Screw | S.Steel | 2 |
| Y-W0949 | Gear "D1" | Bronze | 1 | Y-X1233 | Screw | S.Steel | 1 |
| Y-W0950 | Gear "A2" | Bronze | 1 | | | | |

| PART LIST | | | |
|-----------|--------------------|------------|------|
| CODE | DESCRIPTION | MATERIAL | Q.TY |
| Y-W0132 | Shaft washer | S.Steel | 1 |
| Y-W0254 | Skirt flange | Aluminium | 1 |
| Y-W0278 | Platic washer | Plastic | 1 |
| Y-W0380 | Ball Bearing | S.Steel | 1 |
| Y-W0404 | Disengagement box | Aluminium | 1 |
| Y-W0411 | O-ring cup | S.Steel | 1 |
| Y-W0412 | Disengagement | Brass | 1 |
| Y-W0413 | Lower coupling | S.Steel | 1 |
| Y-W0414 | Thrust ring | Bronze | 1 |
| Y-W0436 | Gearbox cap | Plastic | 1 |
| Y-W0486 | Gearbox shaft | Brass | 1 |
| Y-W0535 | Upper coupling | S.Steel | 1 |
| Y-W0695 | Motor | Various | 1 |
| Y-W0716 | Stud | S.Steel | 2 |
| Y-W0974 | Horizontal gearbox | Various | 1 |
| Y-W1100 | Motor flange | Aluminium | 1 |
| Y-WA062 | Packing ring | NBR rubber | 1 |
| Y-X0072 | Washer | S.Steel | 10 |
| Y-X0073 | Washer | S.Steel | 4 |
| Y-X0075 | Circlip (Seeger) | S.Steel | 1 |
| Y-X0135 | Screw | S.Steel | 8 |
| Y-X0150 | Compression spring | S.Steel | 3 |
| Y-X0151 | O-Ring | NBR rubber | 1 |
| Y-X0152 | Screw | S.Steel | 5 |
| Y-X0153 | Screw | S.Steel | 3 |
| Y-X0154 | Washer | Tufnol | 1 |
| Y-X0159 | Parallel key | S.Steel | 1 |
| Y-X0169 | Screw | S.Steel | 4 |
| Y-X0176 | Screw | S.Steel | 6 |
| Y-X0892 | Nut | S.Steel | 6 |



antal

| | | | |
|-------------|---------------|---------|------------------|
| FAMILY | XT series | ARTICLE | Horizontal drive |
| DESCRIPTION | Exploded view | | |

| | |
|------------|----------------|
| MODEL CODE | Y-WA085 |
|------------|----------------|

| | | | |
|--------|------------|------|-------|
| DATE | 04/03/2019 | REV. | 00 |
| DWG N. | 19030402 | PG. | 1 / 1 |