

**antal**

FAMILY	XT series	ARTICLE	Exploded view
DESCRIPTION	Exploded view		

MODEL CODE	<b>XT66/AL</b> Powered version
------------	-----------------------------------

DATE	22/01/2019	REV.	00
DWG N.	19012200	PG.	1 / 2



PART LIST

CODE	DESCRIPTION	MATERIAL	Q.TY
B12837	Roller bearing	Plastic / S.Steel	1
B2519	Roller bearing	Plastic / S.Steel	5
B4234	Roller bearing	Plastic / S.Steel	2
B7035	Roller bearing	Plastic / S.Steel	1
SFD003	Delrin ball 13/32"	Plastic	46
Y-W0003	Upper ring	S.Steel	1
Y-W0006	Upper ring washer	Plastic	1
Y-W0018	Stripper	Plastic	1
Y-W0019	Drum extension	Aluminium	1
Y-W0022	Pipe spacer	S.Steel	2
Y-W0023	Bearing track	Plastic / S.Steel	1
Y-W0024	Gear base	Aluminium	1
Y-W0032	Gear ring	S.Steel	2
Y-W0042	ST central disk	Aluminium	1
Y-W0048	ST lower disk	Aluminium	1
Y-W0049	ST disk bush	Plastic	4
Y-W0053	Gear lower washer	Plastic	2
Y-W0081	Stem	Chromed bronze	1
Y-W0097	Base	Aluminium	1
Y-W0101	Half-ring	Brass	2
Y-W0109	Shaft spacer	Plastic	1
Y-W0138	Shaft washer	S.Steel	1
Y-W0141	Pawl	S.Steel	10
Y-W0143	ST plug	Plastic	5
Y-W0154	Pill code	Aluminium	1
Y-W0170	Gear spindle	S.Steel HR	1
Y-W0179	Gear spindle	S.Steel HR	1
Y-W0195	Gear upper washer	Plastic	2
Y-W0236	Gear	Brass	1
Y-W0239	Gear "D1"	Bronze	1
Y-W0260	Disengagement rod	S.Steel	1
Y-W0434	Disengagement rod head	S.Steel	1
Y-W0438	Skirt	Aluminium	1
Y-W0440	Main shaft	S.Steel	1
Y-W0611	Gear "B1"	Bronze	1
Y-W0612	Gear "B2"	Bronze	1
Y-W0614	Gear "D2"	Bronze	1
Y-W0721	Opening tool	S.Steel	1
Y-W0763	Washer	S.Steel	1
Y-W0914	ST arm	Aluminium	1
Y-W0923	ST upper disk	Aluminium	1
Y-W1020	Spindle	S.Steel	4
Y-WA001	ST-spring assy	S.Steel	4
Y-WA014	Drum	Various	1
Y-X0052	Screw	S.Steel	4
Y-X0054	Screw	S.Steel	1
Y-X0055	Screw	S.Steel	1
Y-X0067	Screw	S.Steel	6
Y-X0068	Screw	S.Steel	3
Y-X0071	Screw	S.Steel	4
Y-X0072	Washer	S.Steel	4
Y-X0073	Washer	S.Steel	6
Y-X0075	Circlip (Seeger)	S.Steel	1
Y-X0081	Nut	S.Steel	1
Y-X0087	Pawl spring	S.Steel	10
Y-X0189	Nut	S.Steel	1
Y-X0196	Compression spring	S.Steel	1

PART LIST

CODE	DESCRIPTION	MATERIAL	Q.TY
Y-W0132	Shaft washer	S.Steel	1
Y-W0278	Platic washer	Plastic	1
Y-W0370	Shaft connection	S.Steel	1
Y-W0380	Ball Bearing	S.Steel	1
Y-W0404	Disengagement box	Aluminium	1
Y-W0410	Upper coupling	S.Steel	1
Y-W0411	O-ring cup	S.Steel	1
Y-W0412	Disengagement	Brass	1
Y-W0413	Lower coupling	S.Steel	1
Y-W0414	Thrust ring	Bronze	1
Y-W0427	Horizontal gearbox	Various	1
Y-W0436	Gearbox cap	Plastic	1
Y-W0437	Motor flange	Aluminium	1
Y-W0486	Gearbox shaft	Brass	1
Y-W0716	Stud	S.Steel	1
Y-WA062	Packing ring	NBR rubber	1
Y-X0072	Washer	S.Steel	6
Y-X0073	Washer	S.Steel	4
Y-X0085	Set screw	S.Steel	2
Y-X0135	Screw	S.Steel	8
Y-X0147	Screw	S.Steel	2
Y-X0150	Compression spring	S.Steel	3
Y-X0151	O-Ring	NBR rubber	1
Y-X0153	Screw	S.Steel	3
Y-X0154	Washer	Tufnol	1
Y-X0159	Parallel key	S.Steel	1
Y-X0169	Screw	S.Steel	4
Y-X0221	Screw	S.Steel	1
Y-X0892	Nut	S.Steel	3

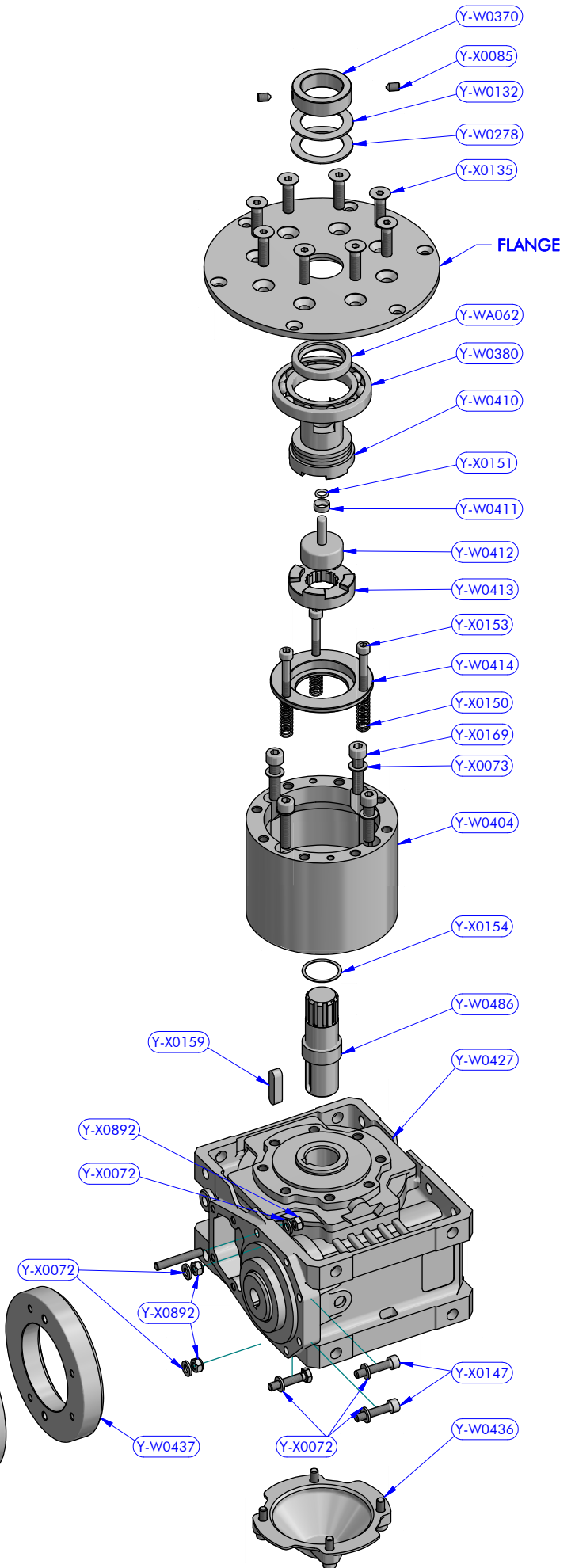
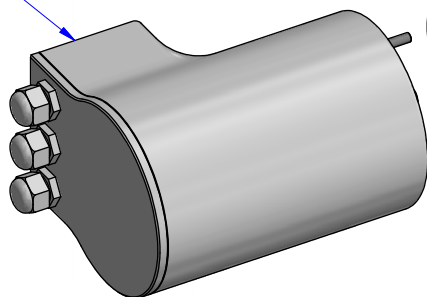
SKIRT FLANGE

CODE	WINCH MODEL	Q.TY
Y-W0253	XT66	1
Y-W0254	XT70	1

MOTOR

CODE	VERSION	Q.TY
Y-W0420	1500 W - 12 V	1
Y-W0421	1500 W - 24 V	1

MOTOR



**antal**

FAMILY: XT series  
ARTICLE:  
DESCRIPTION: Exploded view

Horizontal drive 1500W  
XT66 - XT70  
MODEL CODE

DATE: 25/01/2019  
REV.: 01  
DWG N.: 17050500  
PG.: 1 / 1