

PART LIST

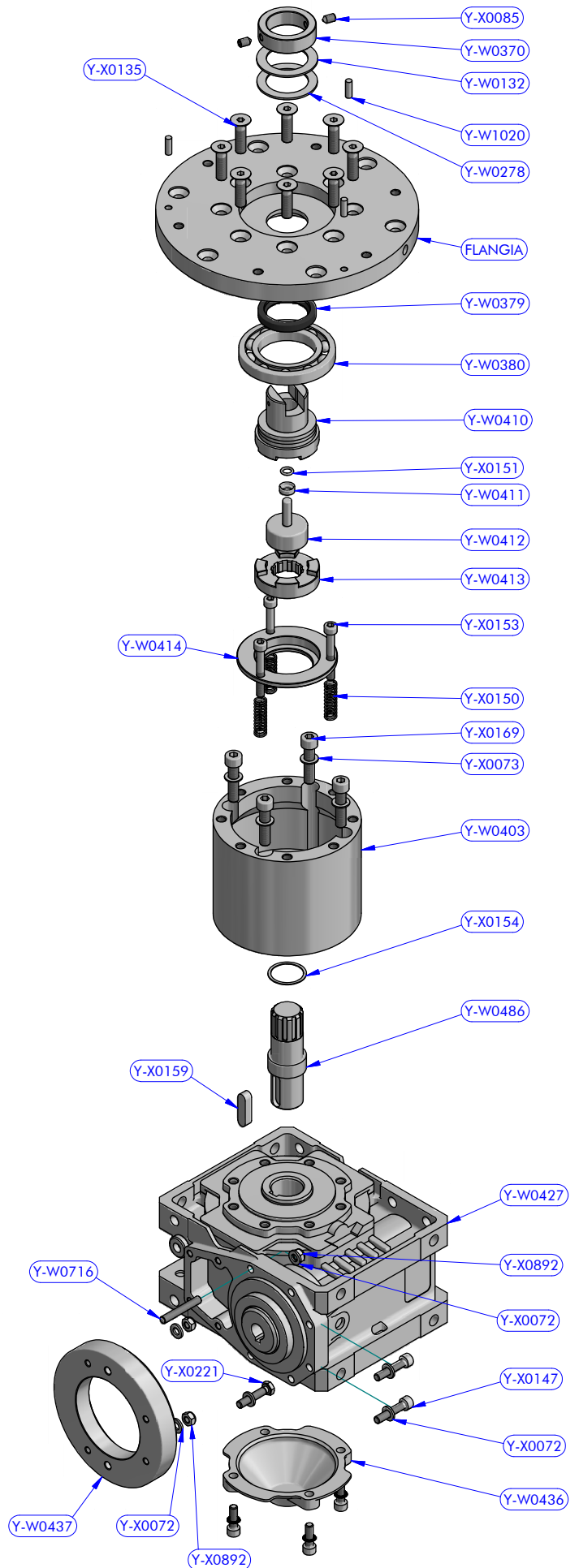
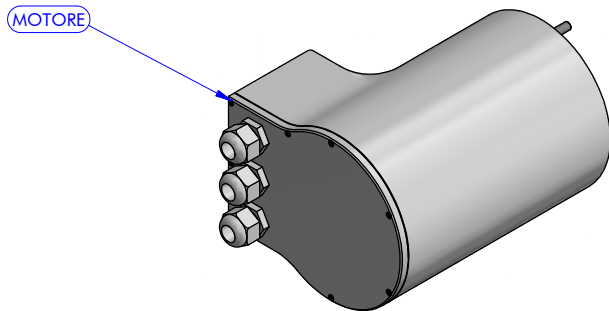
CODE	DESCRIPTION	MATERIAL	Q.TY
B10637	Roller bearing	Plastic / S.Steel	2
B4219	Roller bearing	Plastic / S.Steel	1
B4234	Roller bearing	Plastic / S.Steel	1
SFT000	Torlon ball 1/4"	Plastic	57
Y-W0003	Upper ring	S.Steel	1
Y-W0006	Upper ring washer	Plastic	1
Y-W0017	Stripper	Plastic	1
Y-W0023	Bearing track	Plastic / S.Steel	1
Y-W0041	ST central disk	Aluminium	1
Y-W0049	ST disk bush	Plastic	4
Y-W0079	Stem	Chromed brass	1
Y-W0095	Base	Aluminium	1
Y-W0101	Half-ring	Brass	2
Y-W0107	Shaft spacer	Plastic	1
Y-W0130	Gear spindle	S.Steel	1
Y-W0132	Shaft washer	S.Steel	1
Y-W0141	Pawl	S.Steel	7
Y-W0143	ST plug	Plastic	6
Y-W0158	Skirt	Aluminium	1
Y-W0178	Gear spindle	S.Steel	1
Y-W0183	Spindle washer (upper)	Plastic	1
Y-W0188	Gear lower washer	Plastic	1
Y-W0191	Gear lower washer	Plastic	1
Y-W0193	Gear upper washer	Plastic	1
Y-W0230	Gear "A2"	Bronze	1
Y-W0231	Gear "B1"	Bronze	1
Y-W0232	Gear "B2"	Bronze	1
Y-W0233	Gear "D1"	Bronze	1
Y-W0234	Gear "D2"	Bronze	1
Y-W0259	Disengagement rod	S.Steel	1
Y-W0283	Shaft washer	S.Steel	1
Y-W0296	ST arm	Chromed brass	1
Y-W0301	ST upper disk	Chromed brass	1
Y-W0306	ST lower disk	Chromed brass	1
Y-W0314	Drum	Chromed brass	1
Y-W0387	Washer	S.Steel	1
Y-W0434	Disengagement rod head	S.Steel	1
Y-W0439	Main shaft	S.Steel	1
Y-W0721	Opening tool	S.Steel	1
Y-W0761	Gear cap ring	S.Steel	1
Y-W1020	Spindle	S.Steel	4
Y-WA002	ST-spring assy	S.Steel	4
Y-X0051	Screw	S.Steel	1
Y-X0052	Screw	S.Steel	3
Y-X0057	Screw	S.Steel	1
Y-X0069	Screw	S.Steel	4
Y-X0070	Screw	S.Steel	4
Y-X0072	Washer	S.Steel	4
Y-X0073	Washer	S.Steel	6
Y-X0075	Circlip (Seeger)	S.Steel	1
Y-X0081	Nut	S.Steel	1
Y-X0087	Pawl spring	S.Steel	7
Y-X0189	Nut	S.Steel	1
Y-X0196	Compression spring	S.Steel	1
Y-X0217	Screw	S.Steel	6

PART LIST

CODE	DESCRIPTION	MATERIAL	Q.TY
FLANGIA	Skirt flange	Aluminium	1
MOTORE	Motor	Various	1
Y-W0132	Shaft washer	S.Steel	1
Y-W0278	Platic washer	Plastic	1
Y-W0370	Shaft connection	S.Steel	1
Y-W0379	Shaft sealing ring	NBR rubber	1
Y-W0380	Ball Bearing	S.Steel	1
Y-W0403	Disengagement box	Aluminium	1
Y-W0410	Upper coupling	S.Steel	1
Y-W0411	O-ring cup	S.Steel	1
Y-W0412	Disengagement	Brass	1
Y-W0413	Lower coupling	S.Steel	1
Y-W0414	Thrust ring	Bronze	1
Y-W0427	Horizontal gearbox	Various	1
Y-W0436	Gearbox cap	Plastic	1
Y-W0437	Motor flange	Aluminium	1
Y-W0486	Gearbox shaft	Brass	1
Y-W0716	Stud	S.Steel	1
Y-W1020	Spindle	S.Steel	3
Y-X0072	Washer	S.Steel	6
Y-X0073	Washer	S.Steel	4
Y-X0085	Set screw	S.Steel	2
Y-X0135	Screw	S.Steel	8
Y-X0147	Screw	S.Steel	2
Y-X0150	Compression spring	S.Steel	3
Y-X0151	O-Ring	NBR rubber	1
Y-X0153	Screw	S.Steel	3
Y-X0154	Washer	Tufnol	1
Y-X0159	Parallel key	S.Steel	1
Y-X0169	Screw	S.Steel	4
Y-X0221	Screw	S.Steel	1
Y-X0892	Nut	S.Steel	3

SKIRT FLANGE		
CODE	WINCH MODEL	Q.TY
Y-W0251	W52 / XT52	1
Y-W0252	XT62	1

MOTOR		
CODE	VERSION	Q.TY
Y-W0418	1000 W - 12 V	1
Y-W0419	1000 W - 24 V	1



CATEGORY	Winch	FAMILY	W / XT
DESCRIPTION	Exploded view		

MODEL CODE	Horizontal drive 1000W W52 - XT52 - XT62
------------	---

DATE	24/01/2019
REVISION	01
PG.	1 / 1