

PART LIST

| CODE | DESCRIPTION | MATERIAL | Q.TY |
|---------|------------------------|-------------------|------|
| B10637 | Roller bearing | Plastic / S.Steel | 2 |
| B4219 | Roller bearing | Plastic / S.Steel | 1 |
| B4234 | Roller bearing | Plastic / S.Steel | 1 |
| SFT000 | Torlon ball 1/4" | Plastic | 57 |
| Y-W0003 | Upper ring | S.Steel | 1 |
| Y-W0006 | Upper ring washer | Plastic | 1 |
| Y-W0017 | Stripper | Plastic | 1 |
| Y-W0023 | Bearing track | Plastic / S.Steel | 1 |
| Y-W0041 | ST central disk | Aluminium | 1 |
| Y-W0047 | ST lower disk | Aluminium | 1 |
| Y-W0049 | ST disk bush | Plastic | 4 |
| Y-W0079 | Stem | Chromed brass | 1 |
| Y-W0096 | Base | Aluminium | 1 |
| Y-W0101 | Half-ring | Brass | 2 |
| Y-W0108 | Shaft spacer | Plastic | 1 |
| Y-W0141 | Pawl | S.Steel | 7 |
| Y-W0143 | ST plug | Plastic | 5 |
| Y-W0159 | Skirt | Aluminium | 1 |
| Y-W0183 | Spindle washer (upper) | Plastic | 2 |
| Y-W0188 | Gear lower washer | Plastic | 1 |
| Y-W0191 | Gear lower washer | Plastic | 1 |
| Y-W0230 | Gear "A2" | Bronze | 1 |
| Y-W0231 | Gear "B1" | Bronze | 1 |
| Y-W0233 | Gear "D1" | Bronze | 1 |
| Y-W0371 | Gear "A3" | Bronze | 1 |
| Y-W0373 | Bearing bush | Chromed | 1 |
| Y-W0375 | Gear spindle | S.Steel | 1 |
| Y-W0376 | Dual gear "D2 / D3" | Bronze | 1 |
| Y-W0377 | Gear spindle | S.Steel | 1 |
| Y-W0378 | Fork | Aluminium | 1 |
| Y-W0382 | Fork pin | S.Steel | 2 |
| Y-W0383 | Fork stand | Aluminium | 2 |
| Y-W0384 | Fork lever | Aluminium | 1 |
| Y-W0434 | Disengagement rod head | S.Steel | 1 |
| Y-W0443 | Gear "B2" | Bronze | 1 |
| Y-W0536 | Disengagement rod | S.Steel | 1 |
| Y-W0537 | Main shaft (lower) | S.Steel | 1 |
| Y-W0721 | Opening tool | S.Steel | 1 |
| Y-W0761 | Gear cap ring | S.Steel | 1 |
| Y-W0763 | Washer | S.Steel | 1 |
| Y-W0922 | ST upper disk | Aluminium | 1 |
| Y-W1020 | Spindle | S.Steel | 6 |
| Y-W1033 | Washer | S.Steel | 4 |
| Y-W1084 | ST arm | Aluminium | 1 |
| Y-WA002 | ST-spring assy | S.Steel | 4 |
| Y-WA004 | 3 speed button unit | Various | 1 |
| Y-WA013 | Drum | Aluminium | 1 |
| Y-WA019 | Main shaft | S.Steel / Bronze | 1 |
| Y-X0051 | Screw | S.Steel | 1 |
| Y-X0052 | Screw | S.Steel | 3 |
| Y-X0057 | Screw | S.Steel | 1 |
| Y-X0062 | Screw | S.Steel | 1 |
| Y-X0064 | Screw | S.Steel | 2 |
| Y-X0067 | Screw | S.Steel | 4 |
| Y-X0070 | Screw | S.Steel | 4 |
| Y-X0072 | Washer | S.Steel | 4 |
| Y-X0081 | Nut | S.Steel | 1 |
| Y-X0087 | Pawl spring | S.Steel | 7 |
| Y-X0189 | Nut | S.Steel | 1 |
| Y-X0196 | Compression spring | S.Steel | 1 |



| | | | |
|-------------|---------------|--------|----|
| CATEGORY | Winch | FAMILY | XT |
| DESCRIPTION | Exploded view | | |

| | |
|------------|--------------------------------------|
| MODEL CODE | XT 62.3/AL Powered version |
|------------|--------------------------------------|

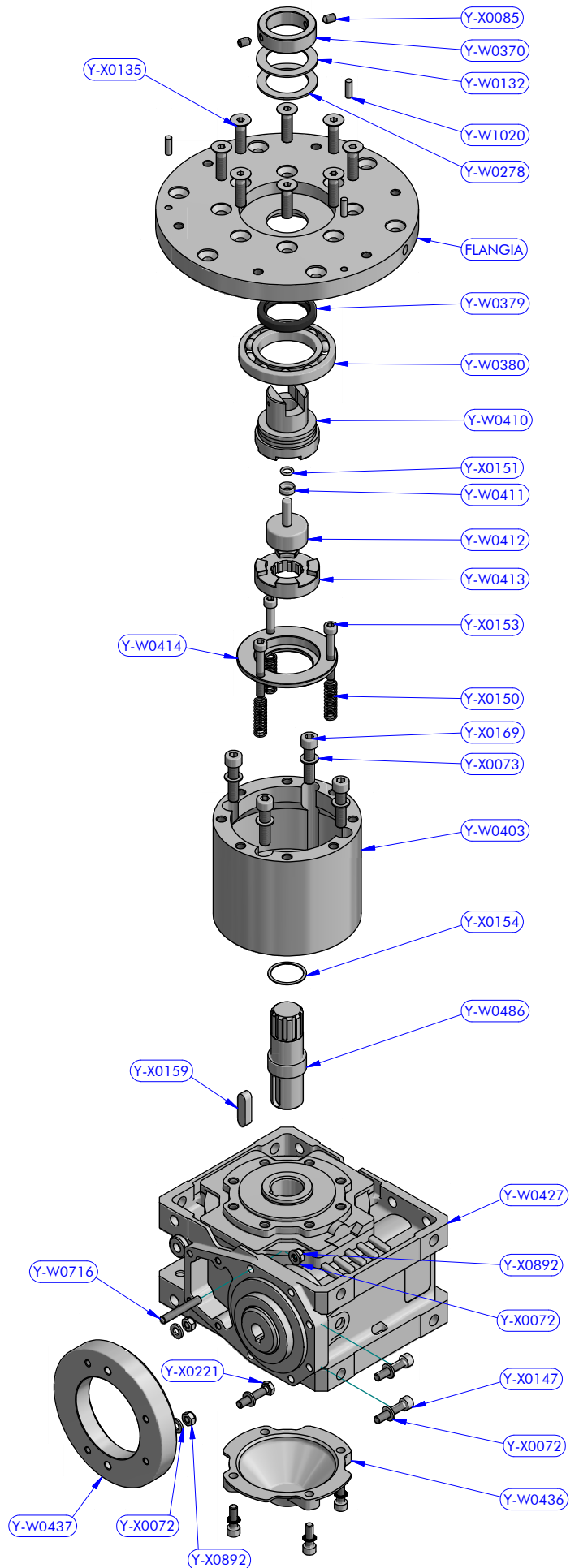
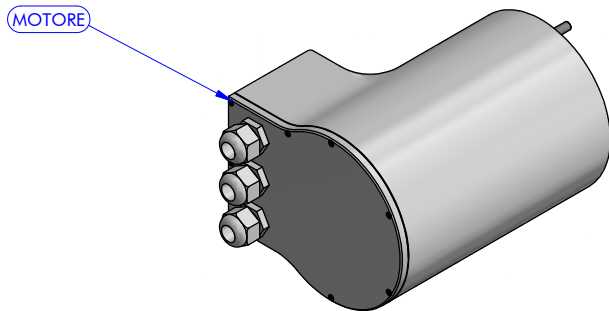
| | | |
|----------|------------|-----------|
| DATE | 27/03/2019 | |
| REVISION | 00 | PG. 2 / 2 |

PART LIST

| CODE | DESCRIPTION | MATERIAL | Q.TY |
|---------|--------------------|------------|------|
| FLANGIA | Skirt flange | Aluminium | 1 |
| MOTORE | Motor | Various | 1 |
| Y-W0132 | Shaft washer | S.Steel | 1 |
| Y-W0278 | Platic washer | Plastic | 1 |
| Y-W0370 | Shaft connection | S.Steel | 1 |
| Y-W0379 | Shaft sealing ring | NBR rubber | 1 |
| Y-W0380 | Ball Bearing | S.Steel | 1 |
| Y-W0403 | Disengagement box | Aluminium | 1 |
| Y-W0410 | Upper coupling | S.Steel | 1 |
| Y-W0411 | O-ring cup | S.Steel | 1 |
| Y-W0412 | Disengagement | Brass | 1 |
| Y-W0413 | Lower coupling | S.Steel | 1 |
| Y-W0414 | Thrust ring | Bronze | 1 |
| Y-W0427 | Horizontal gearbox | Various | 1 |
| Y-W0436 | Gearbox cap | Plastic | 1 |
| Y-W0437 | Motor flange | Aluminium | 1 |
| Y-W0486 | Gearbox shaft | Brass | 1 |
| Y-W0716 | Stud | S.Steel | 1 |
| Y-W1020 | Spindle | S.Steel | 3 |
| Y-X0072 | Washer | S.Steel | 6 |
| Y-X0073 | Washer | S.Steel | 4 |
| Y-X0085 | Set screw | S.Steel | 2 |
| Y-X0135 | Screw | S.Steel | 8 |
| Y-X0147 | Screw | S.Steel | 2 |
| Y-X0150 | Compression spring | S.Steel | 3 |
| Y-X0151 | O-Ring | NBR rubber | 1 |
| Y-X0153 | Screw | S.Steel | 3 |
| Y-X0154 | Washer | Tufnol | 1 |
| Y-X0159 | Parallel key | S.Steel | 1 |
| Y-X0169 | Screw | S.Steel | 4 |
| Y-X0221 | Screw | S.Steel | 1 |
| Y-X0892 | Nut | S.Steel | 3 |

| SKIRT FLANGE | | |
|--------------|-------------|------|
| CODE | WINCH MODEL | Q.TY |
| Y-W0251 | W52 / XT52 | 1 |
| Y-W0252 | XT62 | 1 |

| MOTOR | | |
|---------|---------------|------|
| CODE | VERSION | Q.TY |
| Y-W0418 | 1000 W - 12 V | 1 |
| Y-W0419 | 1000 W - 24 V | 1 |



antal

| | | | |
|-------------|---------------|--------|--------|
| CATEGORY | Winch | FAMILY | W / XT |
| DESCRIPTION | Exploded view | | |

| | |
|------------|---|
| MODEL CODE | Horizontal drive 1000W W52 - XT52 - XT62 |
|------------|---|

| | |
|----------|------------|
| DATE | 24/01/2019 |
| REVISION | 01 |
| PG. | 1 / 1 |