

**antal**

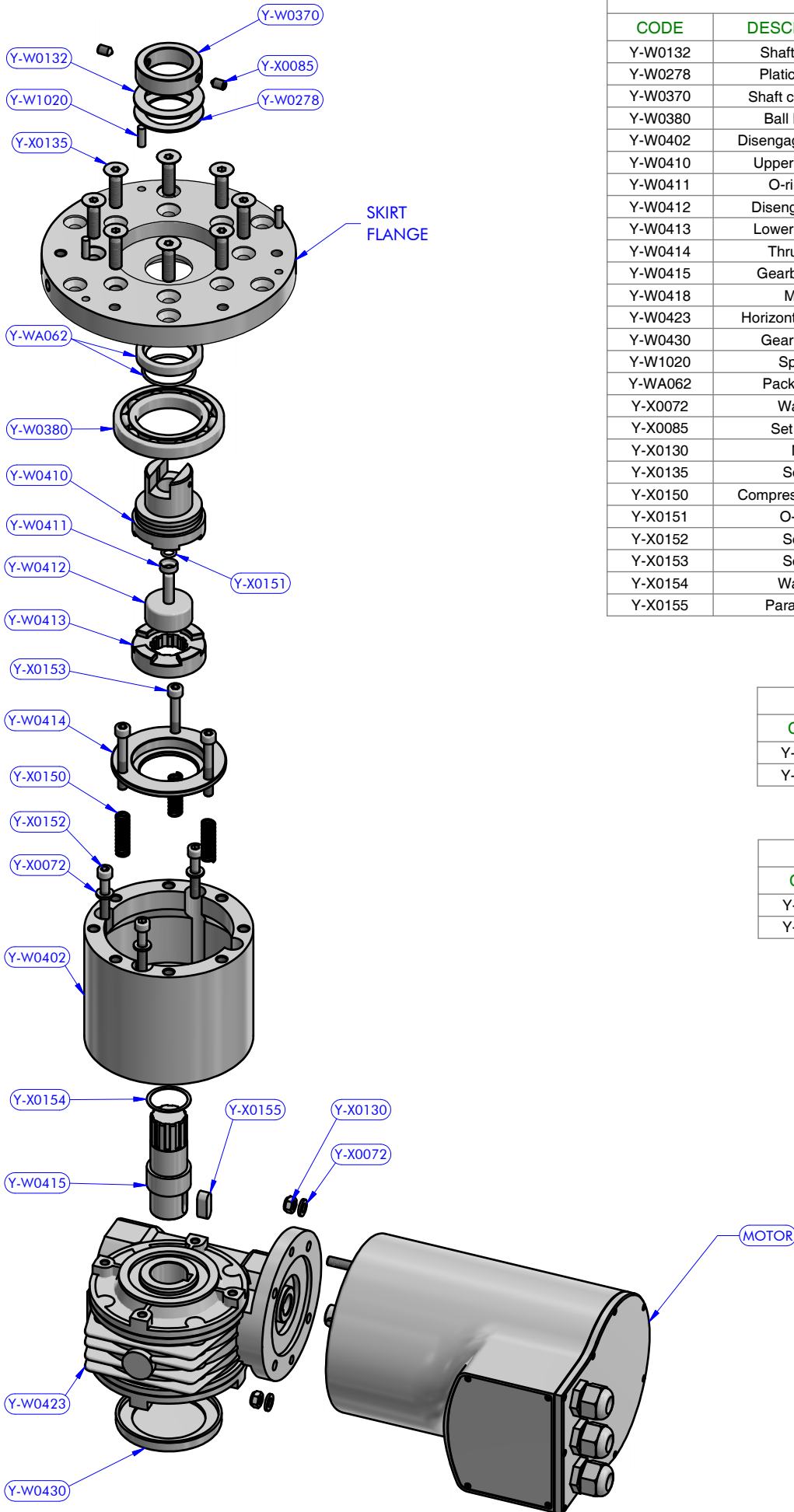
CATEGORY	Winch	FAMILY	XT
DESCRIPTION	Exploded view		

MODEL CODE	XT48 / CH powered version
------------	------------------------------

DATE	24/01/2019
REVISION	00
PG.	1 / 2

## PART LIST

CODE	DESCRIPTION	MATERIAL	Q.TY
B4219	Roller bearing	Plastic / S.Steel	1
B4234	Roller bearing	Plastic / S.Steel	1
B8021	Roller bearing	Plastic / S.Steel	1
B8037	Roller bearing	Plastic / S.Steel	1
SFT000	Torlon ball 1/4"	Plastic	44
Y-W0003	Upper ring	S.Steel	1
Y-W0006	Upper ring washer	Plastic	1
Y-W0015	Stripper	Plastic	1
Y-W0039	ST central disk	Aluminium	1
Y-W0049	ST disk bush	Plastic	4
Y-W0076	Stem	Chromed brass	1
Y-W0101	Half-ring	Brass	2
Y-W0105	Shaft spacer	Plastic	1
Y-W0132	Shaft washer	S.Steel	1
Y-W0141	Pawl	S.Steel	6
Y-W0143	ST plug	Plastic	4
Y-W0156	Skirt	Aluminium	1
Y-W0168	Gear spindle	S.Steel	1
Y-W0176	Gear spindle	S.Steel	1
Y-W0182	Spindle washer (upper)	Plastic	1
Y-W0190	Spindle washer (lower)	Plastic	1
Y-W0193	Gear upper washer	Plastic	1
Y-W0196	Spindle washer (lower)	Plastic	1
Y-W0212	Gear "A2"	Bronze	1
Y-W0219	Gear "B1"	Bronze	1
Y-W0220	Gear "B2"	Bronze	1
Y-W0221	Gear "D1"	Bronze	1
Y-W0222	Gear "D2"	Bronze	1
Y-W0299	ST upper disk	Chromed brass	1
Y-W0304	ST lower disk	Chromed brass	1
Y-W0312	Drum	Chromed brass	1
Y-W0387	Washer	S.Steel	1
Y-W0434	Disengagement rod head	S.Steel	1
Y-W0442	Main shaft	S.Steel	1
Y-W0513	Disengagement rod	S.Steel	1
Y-W0618	Base	Aluminium	1
Y-W0721	Opening tool	S.Steel	1
Y-W0772	ST arm	Chromed brass	1
Y-W1020	Spindle	S.Steel	4
Y-WA002	ST-spring assy	S.Steel	4
Y-WA025	Stem spacer	Plastic	1
Y-X0051	Screw	S.Steel	1
Y-X0055	Screw	S.Steel	1
Y-X0067	Screw	S.Steel	4
Y-X0070	Screw	S.Steel	4
Y-X0072	Washer	S.Steel	4
Y-X0073	Washer	S.Steel	4
Y-X0075	Circlip (Seeger)	S.Steel	1
Y-X0081	Nut	S.Steel	1
Y-X0087	Pawl spring	S.Steel	6
Y-X0111	Screw	S.Steel	6
Y-X0189	Nut	S.Steel	1
Y-X0196	Compression spring	S.Steel	1



PART LIST			
CODE	DESCRIPTION	MATERIAL	Q.TY
Y-W0132	Shaft washer	S.Steel	1
Y-W0278	Platic washer	Plastic	1
Y-W0370	Shaft connection	S.Steel	1
Y-W0380	Ball bearing	S.Steel	1
Y-W0402	Disengagement box	Aluminium	1
Y-W0410	Upper coupling	S.Steel	1
Y-W0411	O-ring cup	S.Steel	1
Y-W0412	Disengagement	Brass	1
Y-W0413	Lower coupling	S.Steel	1
Y-W0414	Thrust ring	Bronze	1
Y-W0415	Gearbox shaft	Brass	1
Y-W0418	Motor	Various	1
Y-W0423	Horizontal gearbox	Various	1
Y-W0430	Gearbox cap	Aluminium	1
Y-W1020	Spindle	S.Steel	3
Y-WA062	Packing ring	NBR rubber	1
Y-X0072	Washer	S.Steel	6
Y-X0085	Set screw	S.Steel	2
Y-X0130	Nut	S.Steel	2
Y-X0135	Screw	S.Steel	8
Y-X0150	Compression spring	S.Steel	3
Y-X0151	O-Ring	NBR rubber	1
Y-X0152	Screw	S.Steel	4
Y-X0153	Screw	S.Steel	3
Y-X0154	Washer	Tufnol	1
Y-X0155	Parallel key	S.Steel	1

SKIRT FLANGE		
CODE	WINCH MODEL	Q.TY
Y-W0249	W44 / XT44	1
Y-W0250	W48 / XT48	1

MOTOR		
CODE	VERSION	Q.TY
Y-W0416	700 W - 12 V	1
Y-W0417	700 W - 24 V	1



CATEGORY	Winch	FAMILY	W / XT
DESCRIPTION	Exploded view		

MODEL CODE	Horizontal drive 700W W44 - W48 - XT44 - XT48
------------	--

DATE	08/10/2018
REVISION	00
PG.	1 / 1