

antal

Winches XT series

Exploded view

XT70.3/AL

07/02/2019

00

FAMILY

ARTICLE

DATE

REV.

DESCRIPTION

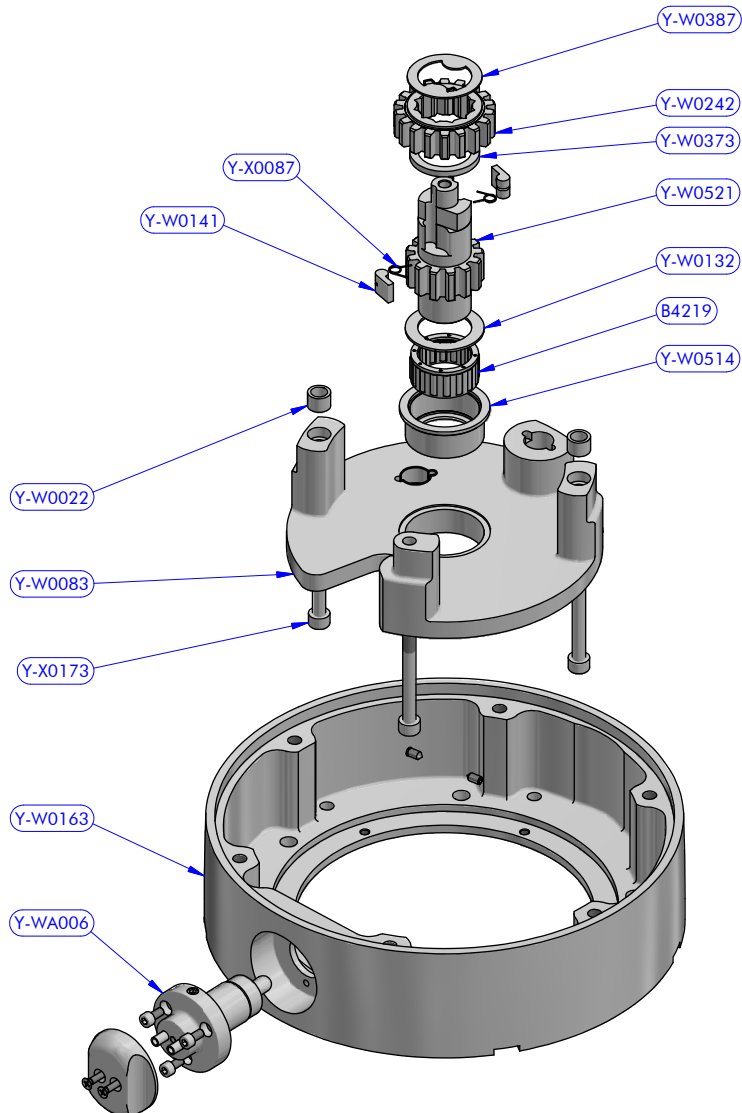
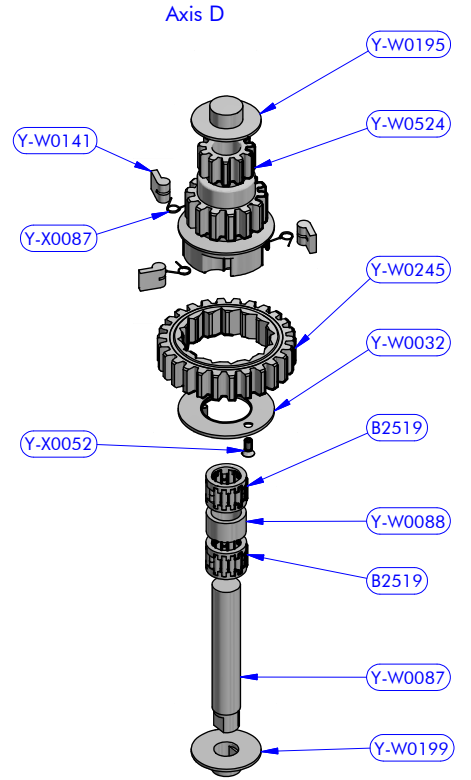
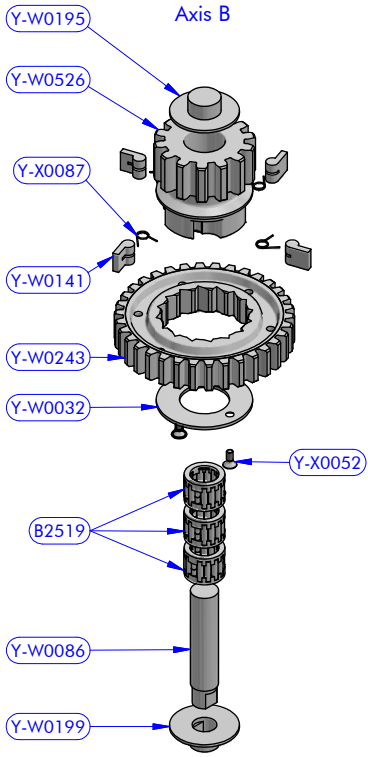
Exploded view

MODEL CODE

DWG N.

19020708

PG. 1 / 3



antal

Winches XT series
FAMILY ARTICLE
Exploded view
DESCRIPTION

XT70.3/AL
MODEL CODE

| | |
|------------|-------|
| 13/01/2017 | 00 |
| DATE | REV. |
| 17060730 | 2 / 3 |
| DWG N. | PG. |

PART LIST

| CODE | DESCRIPTION | MATERIAL | Q.TY |
|---------|---------------------|-------------------|------|
| B12837 | Roller bearing | Plastic / S.Steel | 1 |
| B2519 | Roller bearing | Plastic / S.Steel | 5 |
| B4219 | Roller bearing | Plastic / S.Steel | 1 |
| B4234 | Roller bearing | Plastic / S.Steel | 2 |
| B7035 | Roller bearing | Plastic / S.Steel | 1 |
| SFT001 | Torlon ball 13/32" | Plastic | 46 |
| Y-W0003 | Upper ring | S.Steel | 1 |
| Y-W0006 | Upper ring washer | Plastic | 1 |
| Y-W0018 | Stripper | Plastic | 1 |
| Y-W0019 | Drum extension | Aluminium | 1 |
| Y-W0022 | Pipe spacer | S.Steel | 2 |
| Y-W0023 | Bearing track | Plastic / S.Steel | 1 |
| Y-W0030 | ST upper disk | Aluminium | 1 |
| Y-W0032 | Gear ring | S.Steel | 2 |
| Y-W0042 | ST central disk | Aluminium | 1 |
| Y-W0048 | ST lower disk | Aluminium | 1 |
| Y-W0049 | ST disk bush | Plastic | 4 |
| Y-W0082 | Stem | Chromed brass | 1 |
| Y-W0083 | Gear base | Aluminium | 1 |
| Y-W0086 | Gear spindle | S.Steel HR | 1 |
| Y-W0087 | Gear spindle | S.Steel HR | 1 |
| Y-W0088 | Plastic spacer | Plastic | 1 |
| Y-W0100 | Base | Aluminium | 1 |
| Y-W0101 | Half-ring | Brass | 2 |
| Y-W0112 | Shaft spacer | Plastic | 1 |
| Y-W0132 | Shaft washer | S.Steel | 1 |
| Y-W0141 | Pawl | S.Steel | 10 |
| Y-W0143 | ST plug | Plastic | 6 |
| Y-W0153 | Shaft upper cap | Mekton | 1 |
| Y-W0163 | Skirt | Aluminium | 1 |
| Y-W0195 | Gear upper washer | Plastic | 2 |
| Y-W0199 | Gear lower washer | Plastic | 2 |
| Y-W0242 | Gear "A2" | Bronze | 1 |
| Y-W0243 | Gear "B1" | Bronze | 1 |
| Y-W0245 | Gear "D1" | Bronze | 1 |
| Y-W0373 | Bearing bush | Chromed | 1 |
| Y-W0387 | Washer | S.Steel | 1 |
| Y-W0484 | Fork roll pin | S.Steel | 2 |
| Y-W0485 | Fork | Aluminium | 1 |
| Y-W0514 | Bearing track | Plastic / S.Steel | 1 |
| Y-W0515 | Threaded axis | S.Steel | 1 |
| Y-W0516 | Fork stand | Aluminium | 1 |
| Y-W0517 | Fork lever | Aluminium | 1 |
| Y-W0520 | Gear "A3" | Bronze | 1 |
| Y-W0521 | Lower shaft | S.Steel | 1 |
| Y-W0524 | Dual gear "D2 / D3" | Bronze | 1 |
| Y-W0526 | Gear "B2" | Bronze | 1 |
| Y-W0721 | Opening tool | S.Steel | 1 |
| Y-W0873 | ST arm | Aluminium | 1 |
| Y-WA001 | ST-spring assy | S.Steel | 4 |
| Y-WA006 | 3 speed button unit | Various | 1 |
| Y-WA010 | Drum | Aluminium | 1 |
| Y-WA055 | Main shaft | S.Steel / Bronze | 1 |
| Y-X0052 | Screw | S.Steel | 2 |
| Y-X0052 | Screw | S.Steel | 2 |
| Y-X0054 | Screw | S.Steel | 1 |
| Y-X0058 | Screw | S.Steel | 1 |
| Y-X0062 | Screw | S.Steel | 1 |
| Y-X0069 | Screw | S.Steel | 6 |
| Y-X0071 | Screw | S.Steel | 4 |
| Y-X0072 | Washer | S.Steel | 2 |
| Y-X0072 | Washer | S.Steel | 8 |
| Y-X0087 | Pawl spring | S.Steel | 10 |
| Y-X0089 | Spindle | S.Steel | 4 |
| Y-X0173 | Screw | S.Steel | 3 |
| Y-X0179 | Screw | S.Steel | 2 |
| Y-X0179 | Screw | S.Steel | 2 |



Y-W0141 Witches XT series

Washer

Tufnol

13/01/2017

00

Y-X00892

ARTICLE Nut

XT70.3/AL

DATE

REV.

DESCRIPTION

Exploded view

MODEL CODE

17060730

PG. 3 / 3