

In order to furl sails easier, Facnor offers furling motorizations, EC & EF+ electric models (from 9-meter boats) and HF hydraulic models (from 46 m up to 72 footers). Whatever configuration and reefing assistance chosen for your sailboat, motorization will bring a great comfort in navigation, especially on big units but also on smaller units.

COMFORT OF THE EC & EF+ ELECTRIC FURLERS

- Wired or radio remote control (see option page 18)
- Waterproof drive unit. No specific maintenance required
- Optimized power (max 800 W, speed 30 to 55 t/min)
- Low energy consumption & reduced noise level
- Fitted over the existing forestay without cutting
- Easy retrofit : motorization kit for converting Facnor (manual LS/LX 165 - 330) into electric EC or EF+
- Available in 12 and 24V with inverting box (details p.18)
- International 3-year warranty

EC & EF+

Special aluminium cover

Strong drive unit

Anticorrosion surface treatment

increased durability

New concept of electric multi-motorized power (EC)

29' → 48'
EC 39 & 47

45 → +55'
EF+ 550 & 600

Installation over the existing forestay

Passing through the drive unit.

SX foil sections
high torque resistance (see page 24)

Possibility of retro-fit

Simple upgrade path from Facnor manual units (similar dimensions).

Back up device

If manual operation is required a winch handle: see page 18, emergency continuous line system.



(after use, screw the cap back)

Stainless steel link plates, with multiple holes for drive unit

level adjustment according to anchor passage.



EC & EF+ ELECTRIC MOTORIZATION RANGE

EC & EF+ Technical datas :

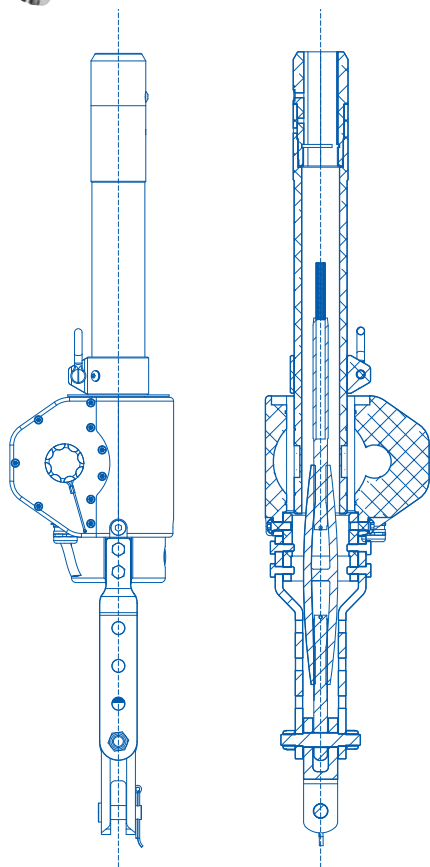
- Remote control option (Wired or radio version) : see page 18



Boat length (m/ feet)	Max forestay Ø	Section / Swivel	Model ref	Forestay length	Power / Rotation speed (max)	Amperage / Voltage
9 → 12 m 29' → 39'	8 mm	SX 39 /C 39	EC 39 (12 / 24 V)	14 m 50	400 W 40 RPM ¹	40 A / 12 V 24 V (20A) on request
	10 mm*			16 m 50		
12 → 16 m 39' → 48'	12 mm	SX 47 /C 47	EC 47 (12 / 24 V)	18 m 50	800 W 55 RPM ¹	40 A / 24 V 12 V (80A) on request
	12,7 mm*			20 m 50		
15 → 18 m 45' → 55'	12,7 mm	SX 47 / C 47	EF+550 (12 / 24 V)	18 m 50	800 W (12V) 1200 W (24V) 33 RPM ¹	30 A / 24 V 60 A / 12 V
	14 mm*			20 m 50		
+ 18 m + 55'	16 mm / 19 mm*	SX 53 / C 600	EF+600 (12 / 24 V)	20 m 50	800 W (12V) 1200 W (24V) 33 RPM ¹	40 A / 24 V 60 A / 12 V
				22 m 50		
	22 m 50					
	24 m 50					

*Installation with swage rigging screw or "manual"

RPM¹: Rotations per Minute



Toggle and stainless steel link plates

Fitted according to bottom forestay terminal (turnbuckle + toggle or eye + toggle). Toggle and stainless steel link plates are delivered in the standard kit.

EC & EF+ FOIL SECTIONS & SWIVELS

Foil section ref : see page 24.

- The large sized connectors guarantee a great torque resistance. The telescopic section prevents any requirement to cut the foil sections when adjusting.
- Option : special part available for «R» foil section adaptation.
- Waterproof swivels, high load resistant :
 - C 39 → EC 39, C 47 → EC 47
 - C 47 → EF+ 550, C 600 → EF+ 650

Complete kits :

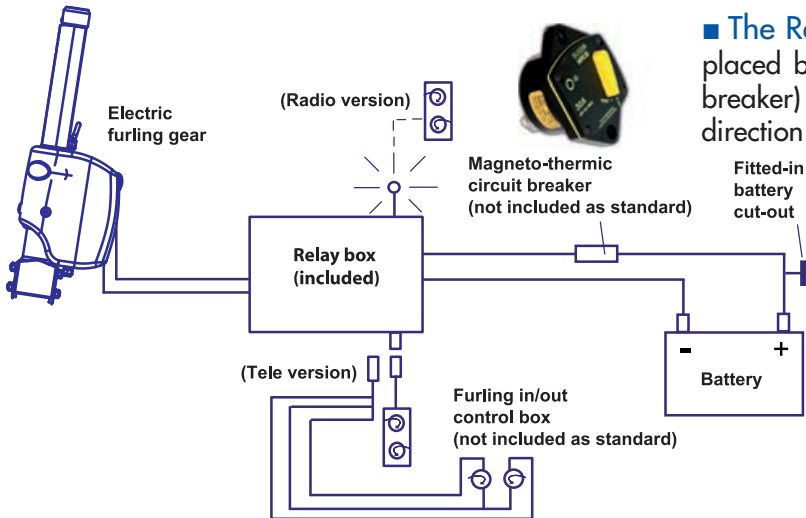
- motorization kit (drive unit, stainless steel link plates, toggle, relay box, circuit breaker)
- foil section kit (see P. 24)
- swivel, halyard deflector wheel

Options (see page 18) :

- wired or radio remote control
- emergency continuous line system



RELAY BOX / REMOTE CONTROL



■ **The Relay box** is a polarity inverting gear that is placed between the power supply (battery + circuit breaker) and the drive unit. It inverts the rotation direction and therefore enables to furl in or out. the foil sections turn at constant speed

■ **Waterproof circuit breaker** (delivered in the standard kit) : turns off the furling gear in case of overheating (due to a Genoa sheet not released for instance).

OPTIONS

■ **Remote control**

① **Wired**
(waterproof device)

② **Radio version**
- pocket transmitter,
- receiver to be fixed underneath the top cover of the relay box



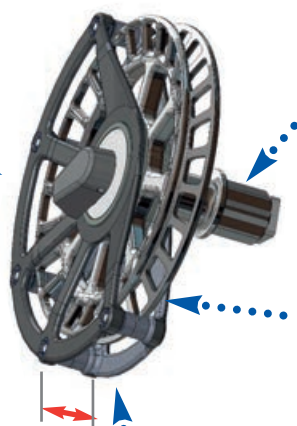
Remote control	Part number	Model Ref.
Wired ①	56012000140	EC 39 EC47
Radio Remote Controller ② Pocket transmitter + Receiver	56012000150	EF+550 EF+600

■ **Emergency system (electric or hydraulic furler) : operating in any circumstances**

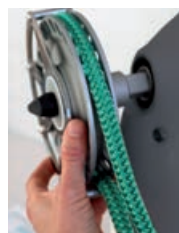
The "FACNOR emergency system" is made up of a notched drive wheel and a continuous line. If an electrical failure were to occur, this device allows the operator to quickly and easily furl in the headsail(standing one meter behind).

Sturdy fitting
corrosion resistant
(stainless steel)

Furling power... thanks to the torque of the continuous line drum
ø drum = 165 mm

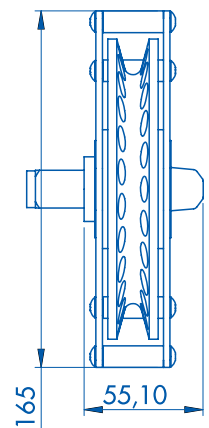


Compactness



Self-locking device
The Facnor emergency system is fitted with a standard square drive winch socket.

Continous furling line
- Easy : pull the continuous line to manually operate the furling system..
- Quick



Adaptable on any standard model of electric/hydraulic furlers
Ref. 03039000100. Thickness = 55 mm.

Delivered inside a fabric protection bag and with an endless line (12mm Ø)



EC & EF+ DIMENSIONS

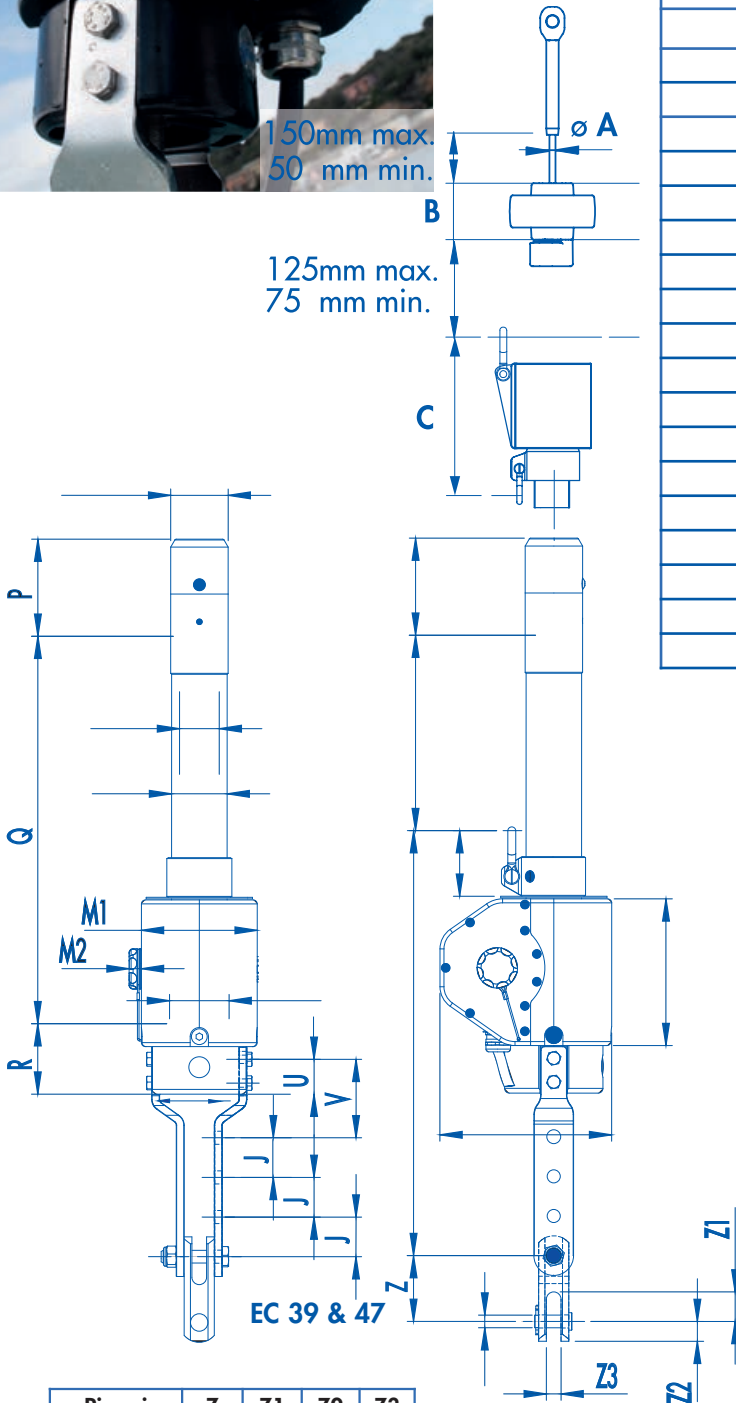
MODEL Elec. furler	EC 39 SX 39	EC 47 SX 47	EF+ 550 SX 47	EF+ 600 SX 53
Section /Swivel Ref.	SX 39 C39	SX 47 C47	SX 47 CX47	SX 53 C600
A = max. forestay ϕ (* turnbuckle)	8 mm* 10 mm*	12 mm* 14 mm*	12 mm* 14 mm*	22 mm*
B	53		53	
C	174	226	226	235
D*	98	106	103	123
E	162	248	263	486
F	62	77	82	
G	496*	536*	770	
J	50	50	60	
M4	184	216	267	
ϕ K	60	72	72	85
ϕ L	60	70	72	86
M1	122	146	146	
M2	16		172	
M3	160	185	324	
N	78	100	93	
P	98	106	103	123
Q	363	485	435	671
R	79	89	265	318
ϕ S	42	50	53	
T	54	75	78	
U	39	44	70	
V	105*	104*	126	126

* End of the telescopic section



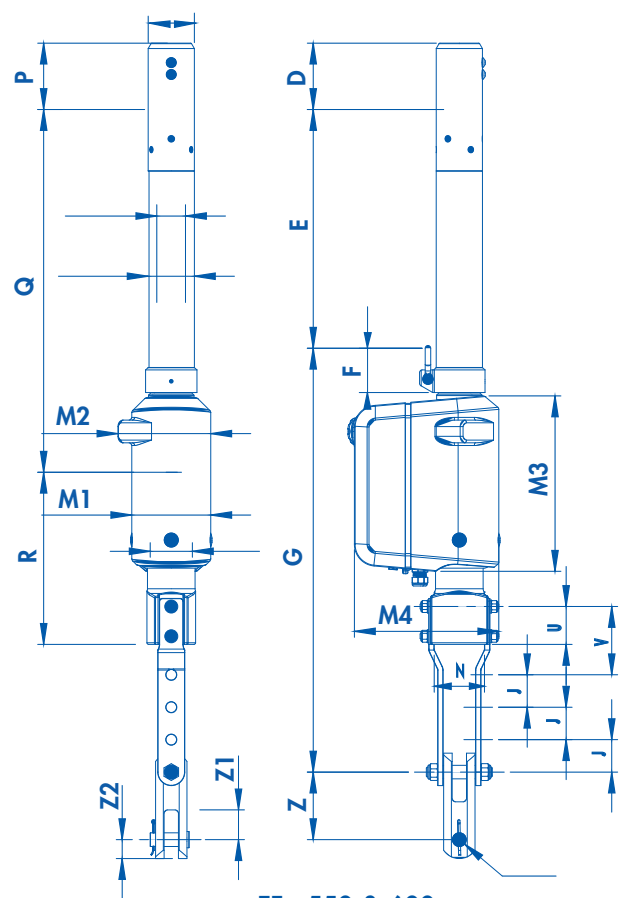
150mm max.
50 mm min.

125mm max.
75 mm min.



EC 39 & 47

Pin ϕ i	Z	Z1	Z2	Z3
12.7	77	27	19	13
16	82	28	25	18.5
19	94	42	29	123
22	105	36.5	32.5	22.5
25	125	55	35	26.5
28	140	50	39	-
32	165	75	42	-



EF+ 550 & 600