

JIBER INSTALLATION MEASUREMENT FORM

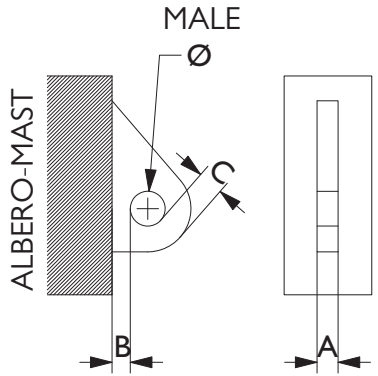
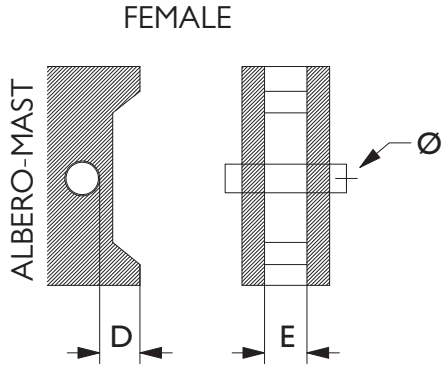
BOAT

Name	Model	Lenght	Displacement

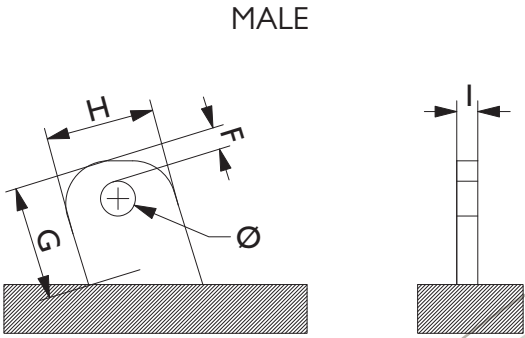
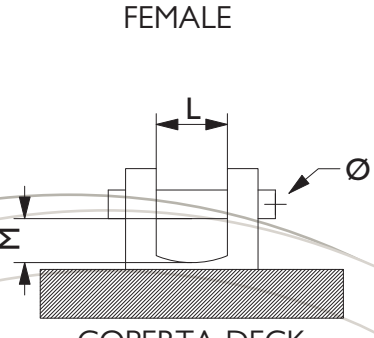
EXISTING STAY

Dyform	Rod	PIN to PIN	Diameter

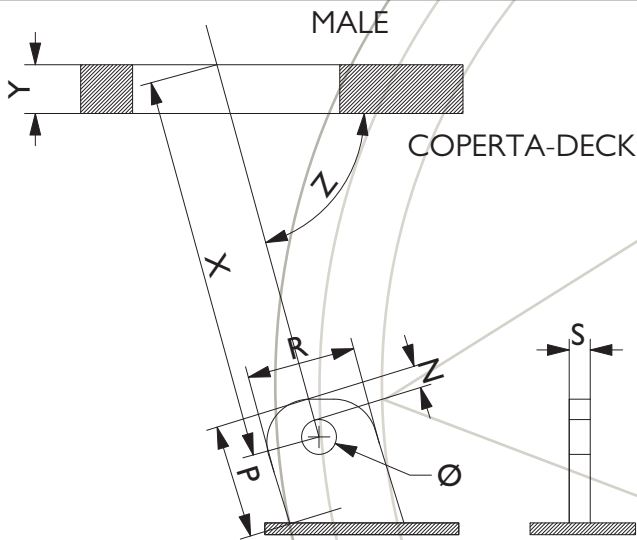
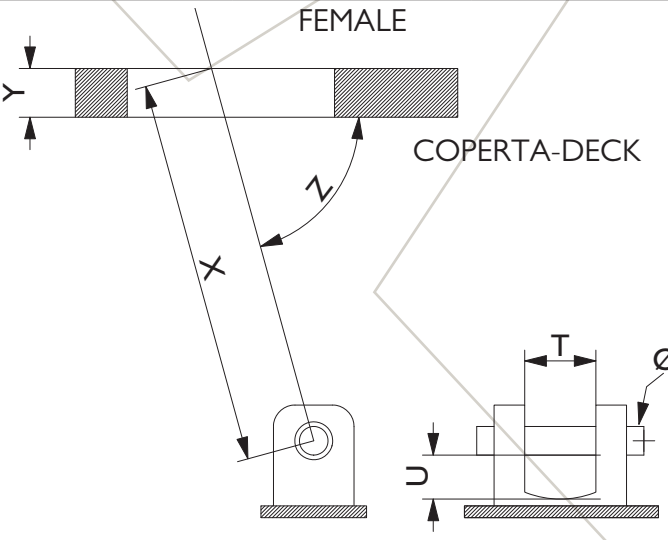
MAST FITTING

 <p>MALE</p>				 <p>FEMALE</p>			
A=	B=	C=	Ø=	D=	E=	Ø=	

CHAINPLATE

 <p>MALE</p>					 <p>FEMALE</p>		
F=	G=	H=	Ø=	I=	L=	M=	Ø=

UNDERDECK CHAINPLATE

 <p>MALE</p>					 <p>FEMALE</p>		
X=	Y=	Z=			X=	Y=	Z=
N=	P=	R=	Ø=	S=	T=	U=	Ø=