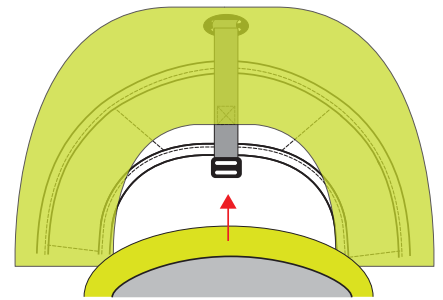
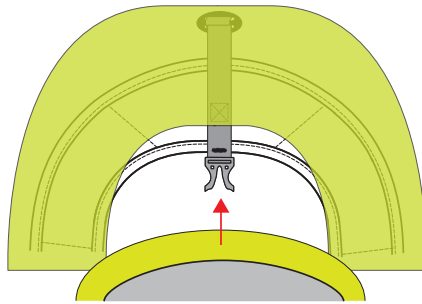
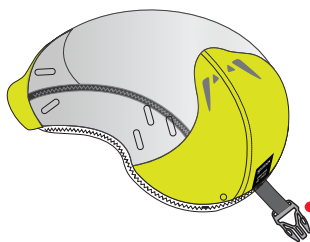


Sprayhood attachment points on Deckvest

Note: Sprayhoods are fitted in front of bladder



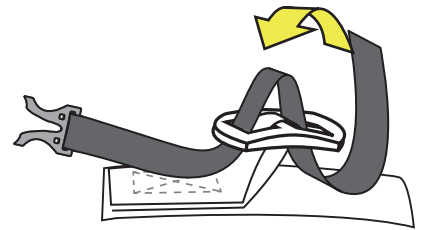
### Deckvest Cento



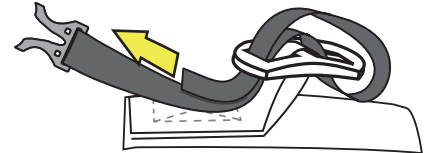
Adapter with Buckle

Sprayhood Buckle

1. Thread adapter through buckle

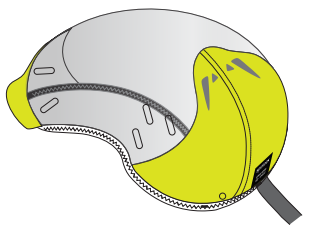


2. Then back over through buckle

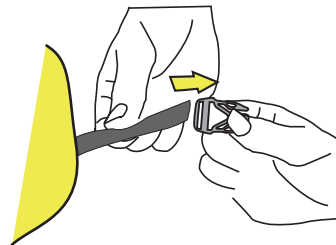


Note: Allow 70mm of webbing from buckle to sprayhood

### Deckvest Lite pre 2017

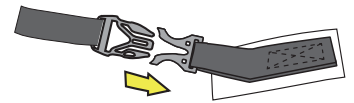


Sprayhood Buckle

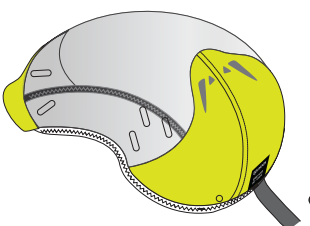


1. Thread buckle on to webbing

2. Clip buckle on sprayhood into buckle on Deckvest

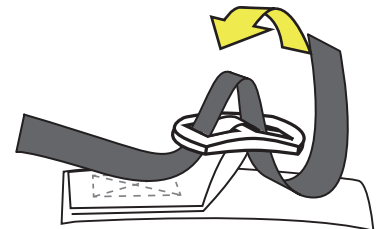


Deckvest Lite + / Lite 2017 >  
5D 170N / 275N  
DURO / SOLAS

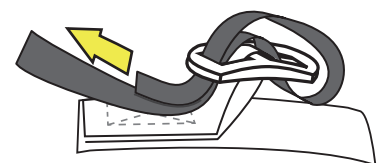


Sprayhood Buckle not required

1. Thread Webbing through buckle



2. Then back over through buckle



Note: Allow 70mm of webbing from buckle to sprayhood