



Performance Hardware





The Allen brothers Tony and Glenn started their business with a vision of performance sailing hardware driven by innovation and technology. The first products they produced for their own race boats were such an improvement on everything then in use, customers demanded they set up production to meet the market.

Those principles still hold true and the company has grown in the past 60 plus years to become a major exporter, selling high-performance sailing hardware to the World. This concentration on design meant tooling often had to be produced in-house and the vast majority of research, design, prototyping, tooling and production still takes place at the Allen factory in Southminster, Essex, UK.

We have invested heavily in Computer Aided Design and Manufacturing and were one of the early adopters of 3D printing for rapid prototyping in 2010. In 2018, we updated our Vertical Machining Centres and invested in new production planning software to improve output and customer service. This gives Allen the ability to match the high quality/low production volume demands of boat builders, both in catalogue and custom products, so Allen is the choice of sailboat builders as well as being a leading supplier to the aftermarket. Much of the inspiration for products comes from our elite sailors, Team Allen, Members of the British and many European Sailing Teams, especially in the high-performance classes such as the 49er and Nacra 17 foiling catamaran, have long associations with the business and their feedback and knowledge are invaluable in driving the next generation of innovative sailing products.

CONTENTS

| | | | | | |
|-----------------------------------|----------|---------------------------------|-----------|--|-----------|
| BLOCKS | 6 | CLEATS & JAMMERS | 33 | SPARS & RIGGING | 58 |
| 20mm Dynamic Blocks | 7 | Cam Cleats | 34 | Rigging Screws | 68 |
| Plain Bearing Blocks | 10 | Cam Cleat Accessories | 35 | Wire Stud Terminals | 68 |
| XHL Extreme High Load Blocks | 12 | Mainsheet Jammers | 36 | Wire Eye Terminals | 68 |
| High Load Blocks | 13 | Swivel Cleats | 38 | Wire Fork Terminals | 69 |
| 30mm Dynamic Blocks | 14 | Clamcleats® | 40 | Wire 'T' Terminals | 69 |
| 40mm Dynamic Blocks | 17 | Mast & Deck Cleats | 41 | Eye Bolts | 69 |
| 50mm Dynamic Blocks | 20 | Jam Cleats | 41 | Rig Spanner | 69 |
| 60mm Dynamic Blocks | 20 | V Cleats | 41 | Boom's & Levers | 70 |
| Tii Blocks | 22 | Pump Action Cleat | 41 | Boom Slides | 70 |
| Tii Shackles | 22 | | | Spinnaker Pole & Accessories | 70 |
| Dog Bones | 22 | TRACK & KEELBAND | 42 | | |
| High Load Thimbles | 23 | Mast Tracks | 42 | RUDDER STOCKS & ACCESSORIES | 71 |
| Pad-Tii | 23 | Track for Travellers | 43 | Tiller Extensions - Carbon | 71 |
| Ratchet Blocks | 24 | Track End Stops | 43 | Tiller Extensions - Blue Carbon | 72 |
| Wire Blocks | 26 | Keelbands | 43 | Tiller Extensions - Aluminium | 72 |
| Classic Blocks | 28 | | 43 | Tiller Extension Universal Joints | 73 |
| V Cleat Blocks | 28 | DECK & HULL FITTINGS | 44 | Rudder Stocks And Tillers | 73 |
| Light Weight Plain Bearing Blocks | 29 | Traveller Cars | 44 | Transom Plates, Pintles & Gudgeons | 74 |
| Stainless Steel Springs | 30 | Self Tacking Jib System | 46 | Rudder Retaining Equipment | 74 |
| Stanchion Mounted Blocks | 30 | Sliding Fairleads & Sheet Lead | 46 | Rudder Wing Nuts | 75 |
| Snatch Blocks | 31 | Track Slides | 47 | Rudder Pintles & Gudgeons | 75 |
| Sheaves | 32 | Bow & Shroud Plates | 47 | | |
| | | Snatch Fairleads & Lacing Hooks | 47 | SAILMAKERS HARDWARE | 76 |
| | | Hatch Covers | 48 | Sail Headboards | 76 |
| | | U Bolts | 49 | Batten Hardware | 77 |
| | | Anchor Plates | 49 | Jib Hanks | 77 |
| | | Lacing Eyes & Eye Straps | 50 | Luff & Cunningham Blocks | 77 |
| | | Fairleads | 52 | Sail Track Slides & Slugs | 78 |
| | | Self Bailers | 54 | Sail Ring | 79 |
| | | Drain Sockets & Bungs | 54 | Sail Shackles | 79 |
| | | Self Tapping Nuts | 55 | Thimbles | 79 |
| | | Deck Bushes | 55 | | |
| | | Aluminium Deck Bushes | 56 | SHACKLES | 80 |
| | | Pad-Tii | 57 | Forged Shackles | 80 |
| | | | | Pressed Shackles | 80 |
| | | | | Round Body Shackles | 81 |
| | | | | Strip Shackles | 82 |
| | | | | Tii-Shackles | 82 |
| | | | | | |
| | | | | ACCESSORIES | 83 |
| | | | | Aerovane Wind Indicators | 83 |
| | | | | Burgees | 84 |
| | | | | Inglefield Clips | 84 |
| | | | | Tidy Clips | 84 |
| | | | | Nylon Hooks | 85 |
| | | | | Stainless Steel Hooks | 85 |
| | | | | Trapeze Harness | 86 |
| | | | | Keyball Trapeze Equipment | 87 |
| | | | | Trapeze Hardware | 87 |
| | | | | Ball Stoppers | 88 |
| | | | | Boat Hook | 88 |
| | | | | Rowlocks & Sockets | 88 |
| | | | | Toe Strap Plates & Buckles | 89 |
| | | | | Splicing Kit | 89 |
| | | | | Race Packs | 90 |
| | | | | Spare & Replacement Parts | 91 |
| | | | | | |
| | | | | PRODUCT CODE INDEX | 92 |

Allen Brothers(fittings)Ltd
Hallmark Industrial Estate
Southminster
Essex CM0 7EH
United Kingdom
T +44 (0)1621 774689
F +44 (0)1621 773872
E sales@allenbrothers.co.uk

Please note
Photographs and illustrations are not to scale unless specified.
Graphic Design
tracy@tasdesign.co.uk
Product Photography
andy@andyrosephotography.co.uk
Cover Photograph
Michael Chittenden – 16ft skiff

Allen products are warranted to be of merchantable quality and fit for the purpose for which they are sold. In addition, Allen products are guaranteed for life against defects in workmanship, subject to reasonable use. We will replace products which are found to have failed through manufacturing and raw material defects. The parts must have been fitted in accordance with our technical instructions, where present, and in any event following the professional guidance of our stockist or representative. No cash alternative or damages arising out of any failure will be met. While we take every reasonable effort to ensure the accuracy of specifications published in the Allen catalogue, website and marketing materials, no liability will be accepted for errors and omissions. In the unlikely event of a claim, please return the part to Allen Brothers with a description of the circumstances. Your statutory rights are not affected.

BLOCKS

CLEATS & JAMMERS

TRACK & KEELBAND

DECK & HULL FITTINGS

SPARS & RIGGING

RUDDER STOCKS & ACCESSORIES

SAILMAKERS HARDWARE

SHACKLES

ACCESSORIES

PRODUCT CODE INDEX



Innovative Design and Engineering Solutions for Manufacturers.

Here at Allen, we are much more than just marine hardware specialists. We are engineering experts and work with a wide variety of companies in different sectors, such as; medical equipment, automotive parts, window manufacturing, public and defence sector, theatre, advertising, aviation and much more.

We are able to do this due to the multiplicity of in-house resources. Our close-knit team of engineers and designers work to deliver premium solutions for custom or mass-production jobs, and as an ISO9001 accredited business, we are capable of mass manufacturing high-quality products as well as ensuring a high level of craftsmanship is carried out on all custom items.

As a British, family-owned business, we ensure 100% of our products are designed, manufactured and assembled in-house at our factory in Essex. All our materials, where possible, are sourced from within the UK. We also guarantee a competitive and fair price for any job we undertake.

If you have any custom requirements, big or small, marine or non-marine, don't hesitate to get in touch to see how we can solve your problems.

Allen In-house resources include:

Design & CAD modelling – using advanced PTC Creo CAD software our design team can quickly develop new ideas and designs into computer models, which can be structurally assessed with our Ansys computer simulated stress analysis software. Prototype models can be seen within hours using our Dimension 3D part printer.

Tool making - finished designs are seamlessly progressed through the tool making stages using the parametric features of PTC Creo tool design and NC machining software. Our toolmakers can produce single or multi-impession tools for injection moulding, sheet metal pierce and blank tools, secondary operation form tools, assembly jigs and fixtures.

Component parts - our factory is equipped to manufacture a diverse range of parts. So we can be particularly flexible in the production of short-run specialist parts, and low to medium volume quantities.

CNC injection moulding - we are experts in the use of advanced engineering polymers and composites such as carbon fibre filled acetals and nylons.

CNC turned parts - our 5 axis sliding head lathes produce high precision parts in all materials.

CNC sheet metal forming – Our presses produce pierced and blanked parts, with secondary forming.

CNC milled parts – 2 HAAS 3-axis vertical milling centres allow us to make precision milled parts in a range of material from marine grade 6082 aluminium to Brass & Acetal.

Fabrication - our versatile and skilled workforce can provide fully assembled products, using a range of techniques such as welding, drilling, riveting, threaded fasteners, adhesives, pad-printing and packing.

Sales and distribution - Our efficient and dedicated sales team is ready to take your orders and will endeavour to dispatch all orders received before 3 pm on the same day, if in stock. Worldwide distribution can be arranged by our export manager.





"You can't go wrong with the A200. Its reliable and smooth, by far my favourite 20mm block."
 Stuart Bithell

Diego Botin & Iago Marra – Credit Lloyd Images

20mm

Blocks

Key for load rating tables

Maximum Working Load (MWL)

The maximum load that the block will endure with repeated sheave movement

Breaking Load

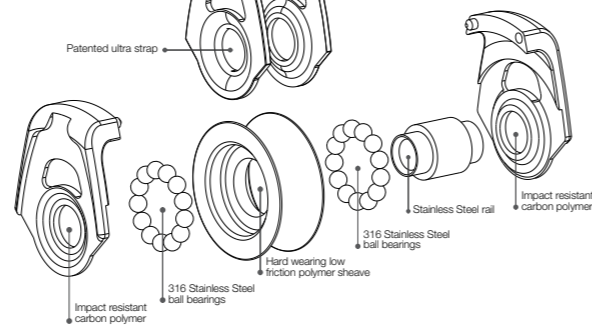
The load at which a major block failure is likely to occur



| Part | Description | Length mm | Max Line Dia. mm | Breaking Load kg | MWL kg | Weight g |
|-----------------|--------------------------|-----------|------------------|------------------|--------|----------|
| A2020XHL-BLACK | Extreme High Load Black | 29 | 6 | 900 | 400 | 17 |
| A2020XHL-BLUE | Extreme High Load Blue | 29 | 6 | 900 | 400 | 17 |
| A2020XHL-GOLD | Extreme High Load Gold | 29 | 6 | 900 | 400 | 17 |
| A2020XHL-ORANGE | Extreme High Load Orange | 29 | 6 | 900 | 400 | 17 |
| A2020XHL-PURPLE | Extreme High Load Purple | 29 | 6 | 900 | 400 | 17 |
| A2020XHL-SILVER | Extreme High Load Silver | 29 | 6 | 900 | 400 | 17 |

20mm Dynamic Blocks

20mm Dynamic Blocks featuring the patented Allen Dynamic bearing system which provides an unrivalled weight to performance ratio. This is coupled with our high strength and rope friendly stainless steel ultra-strap; making them amongst the strongest and most reliable ball bearing blocks on the market. The range is available with different types of accessories including lacing eyes, hooks, swivels and cleats. The range also features a central rivet that provides great options as a tie on becket. You'll find a 20mm block to suit most control line applications.



| Part | Description | Length mm | Max Line Dia. mm | Shackle Pin mm | Breaking Load kg | MWL kg | Weight g | Sheave Dia. mm | Fixing Hole Centres mm |
|--------------|----------------------------------|-----------|------------------|----------------|------------------|--------|----------|----------------|------------------------|
| A2020 | Single | 37 | 6 | - | 540 | 115 | 10 | - | - |
| A2020HL | Single High Load | 37 | 6 | - | 540 | 250 | 17.5 | 20 | - |
| A2020HL-4036 | Single High Load With Lacing Eye | 52 | 6 | - | 540 | 250 | 21 | 20 | - |
| A2020TII | Single Tii-On | 29 | 6 | - | 540 | 115 | 8 | - | - |
| A2021 | Single Multi Function | 35 | 6 | - | 350 | 115 | 11.5 | - | - |
| A2026 | Single Cheek | 45 | 6 | 4 | 350 | 115 | 15.3 | - | - |
| A2026M | Single Composite Cheek | 33 | 6 | - | 540 | 115 | 12 | - | 18 |



| Part | Description | Length mm | Max Line Dia. mm | Shackle Pin mm | Breaking Load kg | MWL kg | Weight g | Fixing Hole Centres mm |
|------------|-------------------------------|-----------|------------------|----------------|------------------|--------|----------|------------------------|
| A2020SHK | Single With Swivel Hook | 58 | 6 | - | 350 | 115 | 19 | - |
| A2021HK | Single With Fixed Hook | 65 | 6 | - | 165 | 115 | 17.5 | - |
| A2020-4035 | Single With P-Clip | 60 | 6 | 5 | 540 | 115 | 15 | - |
| A2020-4036 | Single With Offset Lacing Eye | 52 | 6 | - | 540 | 115 | 15 | 15 |
| A2020SC | Single With Swivel Head | 49 | 6 | 4 | 350 | 115 | 15.4 | - |
| A2021SC | Shackle Swivel Head | 49 | 6 | 4 | 350 | 115 | 15.4 | - |
| A2021F | Single Fork Head | 48 | 6 | 4 | 350 | 115 | 15.2 | - |
| A2020LZ | Stand-Up Fixed | 43 | 6 | - | 540 | 115 | 15.4 | 27 |



| Part | Description | Length mm | Max Line Dia. mm | Shackle Pin mm | Breaking Load kg | MWL kg | Weight g | Sheave Dia. mm |
|---------|------------------------|-----------|------------------|----------------|------------------|--------|----------|----------------|
| A2028 | Back To Back | 52 | 6 | - | 540 | 115 | 20 | - |
| A2028HL | Back To Back High Load | 52 | 6 | - | 540 | 300 | 32 | 20 |
| A2029 | Linked Singles | 70 | 6 | - | 540 | 115 | 21.8 | - |



| Part | Description | Length mm | Max Line Dia. mm | Shackle Pin mm | Breaking Load kg | MWL kg | Weight g | Sheave Dia. mm |
|----------|-------------------|-----------|------------------|----------------|------------------|--------|----------|----------------|
| A2022 | Double | 48 | 6 | - | 600 | 225 | 31.6 | - |
| A2022HL | Double High Load | 48 | 6 | - | 600 | 325 | 42 | 20 |
| A2022Tii | Tii-On Double | 29 | 6 | - | 600 | 225 | 15.6 | - |
| A2022F | Double Fork Block | 51 | 6 | 5 | 600 | 225 | 15.5 | - |



| Part | Description | Length mm | Max Line Dia. mm | Shackle Pin mm | Breaking Load kg | MWL kg | Weight g | Fixing Hole Centres mm |
|---------|-----------------------------------|-----------|------------------|----------------|------------------|--------|----------|------------------------|
| A2023 | Double With Becket | 59 | 6 | - | 600 | 225 | 33.5 | - |
| A2022LZ | Double Stand Up Fixed | 53 | 6 | - | 600 | 225 | 34 | 28 |
| A2022SC | Double With Swivel | 56 | 6 | 4 | 350 | 225 | 35 | - |
| A2023HK | Double With Becket And Hook | 110 | 6 | - | 600 | 225 | 60.2 | - |
| A2126M | Double Composite Cheek | 33 | 6 | - | 540 | 225 | 23 | 18 |
| A5849 | Deck Mounting Plate With 2 A2021F | 51 | 6 | 4 | 350 | 115 | 50 | 25 |



| Part | Description | Length mm | Max Line Dia. mm | Shackle Pin mm | Breaking Load kg | MWL kg | Weight g | Fixing Hole Centres mm |
|---------|--------------------|-----------|------------------|----------------|------------------|--------|----------|------------------------|
| A2024 | Triple | 50 | 6 | - | 650 | 320 | 47.9 | - |
| A2024HL | Triple High Load | 50 | 6 | - | 650 | 400 | 63 | 20 |
| A2024F | Triple With Fork | 51 | 6 | 5 | 650 | 320 | 48 | - |
| A2025 | Triple With Becket | 66 | 6 | - | 650 | 320 | 52.9 | - |



| Part | Description | Length mm | Max Line Dia. mm | Shackle Pin mm | Breaking Load kg | MWL kg | Weight g |
|-----------|---------------------------------|-----------|------------------|----------------|------------------|--------|----------|
| A2024-677 | Triple With Inverted Cleat | 55 | 6 | - | 650 | 320 | 86.9 |
| A2025-677 | Triple, Inverted Cleat & Becket | 66 | 6 | - | 650 | 320 | 86.9 |
| A2027 | Triple, Cleat & Becket | 75 | 6 | - | 650 | 320 | 86.9 |
| A2027NB | Triple With Extended Cleat | 75 | 6 | - | 650 | 320 | 98 |



| Part | Description | Length mm | Max Line Dia. mm | Shackle Pin mm | Breaking Load kg | MWL kg | Weight g | Fixing Hole Centres mm |
|-------|-----------------------------|-----------|------------------|----------------|------------------|--------|----------|------------------------|
| A2121 | Single Through Deck | 54 | 6 | - | 350 | 105 | 10.80 | 42 |
| A2122 | Double Through Deck | 60 | 6 | - | 350 | 105 | 20 | 64 |
| A2123 | Flip Flop Block | - | 5 | - | 350 | 105 | 19 | 16 |
| A4251 | Single Through Deck | 32 | 6 | - | 400 | 105 | 30 | 25 x 24 |
| A4502 | Stand Up Single | 32 | 6 | - | 350 | 105 | 22 | 27 x 19 |
| A4505 | Double Upstand Block | 32 | 6 | - | 350 | 105 | 94 | 27 x 19 |
| A4710 | Lightweight Stand Up Single | 34 | 6 | - | 350 | 105 | 19 | 26 |



| Part | Description | Length mm | Max Line Dia. mm | Shackle Pin mm | Breaking Load kg | MWL kg | Weight g | Fixing Hole Centres mm |
|--------------|-------------------------|-----------|------------------|----------------|------------------|--------|----------|------------------------|
| A4968 | Flip Flop | 30 | 6 | - | 350 | 105 | 19 | 16 |
| A2026-PROFIX | Cheek Adaptor For A2021 | - | - | - | - | - | 3.8 | - |
| A5404S | Shackle Head For A2021 | 15 | - | 4 | 780 | - | 4.4 | - |

New Plain Bearing Blocks

available in 20 & 30mm

PLAIN BEARING BLOCKS



Credit: Sportography .TV

We are pleased to announce a new range of plain bearing blocks, using modern design, materials and state of the art manufacturing to ensure a more eco-friendly product, delivering enhanced performance.

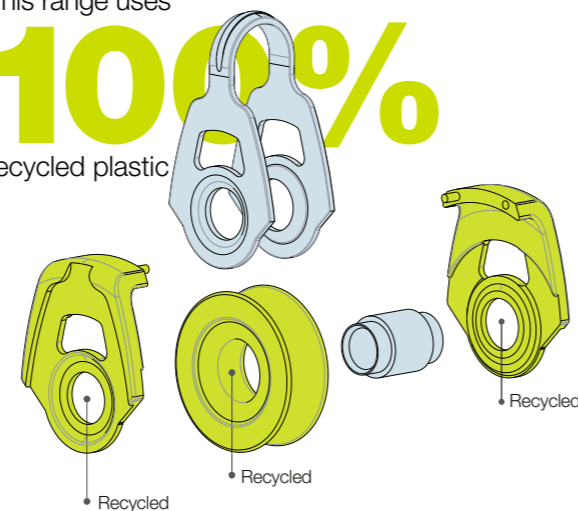
The new range will be made using 100% recycled plastics as well as using 20% less material than the previous version. Using the outer cheek and strap from the 20 and 30mm dynamic range allows us to manufacture the new range of plain bearing blocks more efficiently. This will help to reduce the long-term impact of plastics and un-recyclable materials on the environment.

The new range of plain bearing blocks will also feature a grey sheave to differentiate them from the existing dynamic range, which has black sheaves. Plain bearing blocks offer great static loading capabilities at a low weight and cost. This makes them perfect for take-up systems or applications that don't require high dynamic performance.

This range uses

100%

recycled plastic



| Part | Description | Length mm | Max Line Dia. mm | Breaking Load kg | Weight g | Sheave Dia. mm | Fixing Hole Centres mm |
|--------------------|---|-----------|------------------|------------------|----------|----------------|------------------------|
| 20mm A2020P | Single | 37 | 6 | 540 | 10 | 20 | - |
| A2020P-4035 | Single With P-Clip | 62.4 | 6 | 540 | 13.9 | 20 | - |
| A2020P-4036 | Single With Lacing | 52 | 6 | 540 | 13.9 | 20 | 15 |
| A2026P | Single Cheek | 45 | 6 | 350 | 14.2 | 20 | - |
| A2020PSC | Single With Swivel | 53 | 6 | 350 | 18 | 20 | - |
| A2020PSHK | Single With Swivel | 57.7 | 6 | 350 | 17.9 | 20 | - |
| A2020PTii | Tii-On | 29 | 6 | 540 | - | 20 | - |
| A2021P | Single Multi-Function Single | 35 | 6 | 350 | 10.4 | 20 | - |
| A2021PHK | Single With Hook | 65.5 | 6 | 165 | 16.4 | 20 | - |
| A2022P | Double | 47.6 | 6 | 500 | 29.4 | 20 | - |
| A2023P | Double With Becket | 25 | 6 | 500 | 31.2 | 20 | - |
| A2024P | Triple | 50.1 | 6 | 650 | 44.6 | 20 | - |
| A2025P | Triple With Becket | 66 | 6 | 650 | 49.6 | 20 | - |
| A2020PLZ | Single Stand Up Fixed | 43 | 6 | 540 | 14.3 | 20 | 27 |
| A2121P | Through Deck Single | 54 | 6 | 400 | 10.8 | 20 | - |
| 30mm A2030P | Single | 49 | 8 | 750 | 23 | 30 | - |
| A2030PF | Single With Fork Head and Removable Pin | 56 | 8 | 600 | 28 | 30 | - |
| A2030PF-873 | Single With Fork Head and Vang Key | 77 | 8 | 600 | 37 | 30 | - |
| A2036P | Single Cheek | 58.7 | 8 | 500 | 32 | 30 | - |
| A2030PSC | Single With Swivel | 66.3 | 8 | 600 | 33 | 30 | - |
| A2030PSHK | Single With Swivel Hook | 70.4 | 8 | 450 | 32 | 30 | - |
| A2031P | Single Multi-Function | 46.6 | 8 | 750 | 25 | 30 | - |
| A2032P | Double | 64 | 8 | 1250 | 66 | 30 | - |
| A2033P | Double With Becket | 76 | 8 | 1250 | 71 | 30 | - |
| A2034P | Triple | 62.6 | 8 | 1750 | 94 | 30 | - |
| A2035P | Triple With Becket | 82.5 | 8 | 1750 | 105 | 30 | - |
| A2030PLZ | Single Stand Up Fixed | 59 | 8 | 500 | 27.2 | 30 | - |

Extreme High Load Blocks

The Allen XHL range has been designed to deal with extremely high loads without compromising on low load dynamic performance. By combining the Allen patented dynamic bearing technology with CNC machined aluminium side cheeks and a precision turned stainless steel sheave, we have created a block range that can take a static load of up to 1500Kg. Perfect for use in vang cascades or halyard turning points where loads can be extremely high.

High Load Blocks

High Load Blocks fit between the standard dynamic range and the XHL range. The blocks feature a stainless-steel sheave which runs on a double race of stainless-steel ball bearings. By utilising a stainless-steel sheave with a slight V shape profile, the Allen High Load range offers the ability to be paired with both wire and Dyneema®. This design also reduces deformation of the sheave under high static loads. These combinations result in less friction, higher working loads, better performance and durability over the acetal sheave Dynamic Block range.

XHL BLOCKS



HIGH LOAD BLOCKS



"The A2030XHL, its indestructible!" Chris Rashley

20mm

| Part | Description | Length mm | Max Line Dia. mm | Breaking Load kg | MWL kg | Weight g |
|-----------------|--------------------------|-----------|------------------|------------------|--------|----------|
| A2020XHL-BLACK | Extreme High Load Black | 29 | 6 | 900 | 400 | 17 |
| A2020XHL-BLUE | Extreme High Load Blue | 29 | 6 | 900 | 400 | 17 |
| A2020XHL-GOLD | Extreme High Load Gold | 29 | 6 | 900 | 400 | 17 |
| A2020XHL-ORANGE | Extreme High Load Orange | 29 | 6 | 900 | 400 | 17 |
| A2020XHL-PURPLE | Extreme High Load Purple | 29 | 6 | 900 | 400 | 17 |
| A2020XHL-SILVER | Extreme High Load Silver | 29 | 6 | 900 | 400 | 17 |

30mm

| Part | Description | Length mm | Max Line Dia. mm | Breaking Load kg | MWL kg | Weight g |
|-----------------|--------------------------|-----------|------------------|------------------|--------|----------|
| A2030XHL-BLACK | Extreme High Load Black | 43 | 8 | 1250 | 500 | 41 |
| A2030XHL-BLUE | Extreme High Load Blue | 43 | 8 | 1250 | 500 | 41 |
| A2030XHL-GOLD | Extreme High Load Gold | 43 | 8 | 1250 | 500 | 41 |
| A2030XHL-ORANGE | Extreme High Load Orange | 43 | 8 | 1250 | 500 | 41 |
| A2030XHL-PURPLE | Extreme High Load Purple | 43 | 8 | 1250 | 500 | 41 |
| A2030XHL-SILVER | Extreme High Load Silver | 43 | 8 | 1250 | 500 | 41 |

40mm

| Part | Description | Length mm | Max Line Dia. mm | Breaking Load kg | MWL kg | Weight g |
|-----------------|--------------------------|-----------|------------------|------------------|--------|----------|
| A2040XHL-BLACK | Extreme High Load Black | 54 | 9 | 1500 | 650 | 71 |
| A2040XHL-BLUE | Extreme High Load Blue | 54 | 9 | 1500 | 650 | 71 |
| A2040XHL-GOLD | Extreme High Load Gold | 54 | 9 | 1500 | 650 | 71 |
| A2040XHL-ORANGE | Extreme High Load Orange | 54 | 9 | 1500 | 650 | 71 |
| A2040XHL-PURPLE | Extreme High Load Purple | 54 | 9 | 1500 | 650 | 71 |
| A2040XHL-SILVER | Extreme High Load Silver | 54 | 9 | 1500 | 650 | 71 |

20mm

| Part | Description | Length mm | Max Line Dia. mm | Shackle Pin mm | Breaking Load kg | MWL kg | Weight g | Sheave Dia. mm |
|--------------|----------------------------------|-----------|------------------|----------------|------------------|--------|----------|----------------|
| A2020HL | Single High Load | 37 | 6 | - | 540 | 250 | 17.5 | 20 |
| A2020HL-4036 | Single High Load With Lacing Eye | 52 | 6 | - | 540 | 250 | 21 | 20 |
| A2022HL | Double High Load | 48 | 6 | - | 600 | 325 | 42 | 20 |
| A2024HL | Triple High Load | 50 | 6 | - | 650 | 400 | 63 | 20 |
| A2028HL | Back To Back High Load | 52 | 6 | - | 540 | 300 | 32 | 20 |

30mm

| Part | Description | Length mm | Max Line Dia. mm | Shackle Pin mm | Breaking Load kg | MWL kg | Weight g | Sheave Dia. mm |
|------------|--|-----------|------------------|----------------|------------------|--------|----------|----------------|
| A2030HL | Single High Load | 49 | 8 | - | 800 | 300 | 39 | 30 |
| A2030HLF | Single Fork Head With High Load Sheave | 56 | 8 | 5 | 750 | 300 | 43 | 30 |
| A2030TiiHL | Single Tii-On High Load | 41 | 8 | - | 800 | 300 | 37 | 30 |
| A2032HL | Double High Load Sheave | 63 | 8 | - | 1250 | 450 | 87 | 30 |
| A2034HL | Triple High Load | 63 | 8 | - | 1750 | 650 | 132 | 30 |
| A2038HL | Back To Back High Load | 78 | 8 | - | 750 | 600 | 76 | 30 |

30mm Dynamic Blocks

Allen 30mm Dynamic Blocks use the same high quality dynamic bearing, materials and precision engineering as our 20mm Dynamic Block range. Our high strength and rope friendly stainless steel ultra-strap makes them amongst the strongest and most reliable ball bearing blocks in their class. The range is available with different types of accessories including lacing eyes, hooks, swivels and cleats. The range also features a central rivet that provides great options as a tie on becket. You'll find a 30mm block to suit most control line applications.



| Part | Description | Length mm | Max Line Dia. mm | Shackle Pin mm | Breaking Load kg | MWL kg | Weight g | Hole Centres mm |
|--------------|------------------------------------|-----------|------------------|----------------|------------------|--------|----------|-----------------|
| A2031 | Single Multi Function | 47 | 8 | 4 | 500 | 140 | 28 | - |
| A2036 | Cheek Block | 59 | 8 | 4 | 500 | 140 | 35 | - |
| A2036M | Composite Cheek | 50 | 8 | - | 400 | 140 | 24 | 30 |
| A2030SC | Swivel Block | 66 | 8 | 4 | 450 | 140 | 36 | - |
| A2031F | Single Fork Head | 59 | 8 | 4 | 450 | 140 | 36 | - |
| A2031SC | Single Swivel Fork | 63 | 8 | 4 | 400 | 140 | 37 | - |
| A2031XHL-873 | Extreme High Load Block With A.873 | 57 | 8 | - | 1000 | 500 | 55 | - |



| Part | Description | Length mm | Max Line Dia. mm | Shackle Pin mm | Breaking Load kg | MWL kg | Weight g | Hole Centres mm |
|-------------|------------------------------|-----------|------------------|----------------|------------------|--------|----------|-----------------|
| A2030SHK | Single With Swivel Hook | 70 | 8 | - | 450 | 140 | 35 | - |
| A2030LZ | Stand-Up Fixed | 59 | 8 | - | 500 | 140 | 30.2 | 34 |
| A2039FIDDLE | Single With Fiddle | 85 | 8 | 4 | 600 | 140 | 47 | - |
| A2039-CAM | Single With Fiddle And Cleat | 88 | 8 | 4 | 600 | 140 | 86.2 | - |
| A2032 | Double | 63 | 8 | - | 1250 | 280 | 72 | - |
| A2032HL | Double High Load Sheave | 63 | 8 | - | 1250 | 450 | 87 | - |



A2030
"Perfect for the 49er mainsheet system, I wouldn't use anything else"
 Dylan Fletcher
 Dylan Fletcher & Stu Bithell - 49er

30mm



| Part | Description | Length mm | Max Line Dia. mm | Breaking Load kg | MWL kg | Weight g |
|-----------------|--------------------------|-----------|------------------|------------------|--------|----------|
| A2030XHL-BLACK | Extreme High Load Black | 43 | 8 | 1250 | 500 | 41 |
| A2030XHL-BLUE | Extreme High Load Blue | 43 | 8 | 1250 | 500 | 41 |
| A2030XHL-GOLD | Extreme High Load Gold | 43 | 8 | 1250 | 500 | 41 |
| A2030XHL-ORANGE | Extreme High Load Orange | 43 | 8 | 1250 | 500 | 41 |
| A2030XHL-PURPLE | Extreme High Load Purple | 43 | 8 | 1250 | 500 | 41 |
| A2030XHL-SILVER | Extreme High Load Silver | 43 | 8 | 1250 | 500 | 41 |

See the full range of colours on page 7



| Part | Description | Length mm | Max Line Dia. mm | Shackle Pin mm | Breaking Load kg | MWL kg | Weight g |
|------------|--|-----------|------------------|----------------|------------------|--------|----------|
| A2030 | Single | 49 | 8 | - | 750 | 140 | 26 |
| A2030F | Single Fork Head With Removable Pin | 56 | 8 | 5 | 450 | 140 | 31 |
| A2030F-873 | Single Fork Head With Kicker Key | 77 | 8 | 5 | 450 | 140 | 40 |
| A2030HL | Single High Load | 49 | 8 | - | 800 | 300 | 39 |
| A2030Tii | Single Tii-On | 42 | 8 | - | 750 | 140 | 24 |
| A2030HLF | Single Fork Head With High Load Sheave | 56 | 8 | 5 | 750 | 300 | 43 |
| A2030TiiHL | Single Tii-On High Load | 41 | 8 | - | 800 | 300 | 37 |



| Part | Description | Length mm | Max Line Dia. mm | Breaking Load kg | MWL kg | Weight g | Hole Centres mm |
|----------|------------------------|-----------|------------------|------------------|--------|----------|-----------------|
| A2032Tii | Double Tii-On | 42 | 8 | 1250 | 280 | 48 | - |
| A2033 | Double With Becket | 76 | 8 | 1250 | 280 | 77 | - |
| A2136M | Double Composite Cheek | 50 | 8 | 400 | 280 | 36.6 | - |
| A2034 | Triple | 63 | 8 | 1750 | 490 | 103 | - |
| A2034HL | Triple High Load | 63 | 8 | 1750 | 650 | 132 | - |
| A2035 | Triple With Becket | 83 | 8 | 1750 | 420 | 114 | - |



A2034-676 A2035-676 A2037 A2038 A2038HL A2039

| Part | Description | Length mm | Max Line Dia. mm | Shackle Pin mm | Breaking Load kg | MWL kg | Weight g |
|-----------|-----------------------------------|-----------|------------------|----------------|------------------|--------|----------|
| A2034-676 | Triple With Inverted Cleat | 65 | 8 | - | 1750 | 490 | 49 |
| A2035-676 | Triple, Becket And Inverted Cleat | 83 | 8 | - | 1750 | 490 | 146 |
| A2037 | Triple, Cleat & Becket | 83 | 8 | - | 1750 | 490 | 146 |
| A2038 | Back To Back | 78 | 8 | - | 750 | 140 | 49 |
| A2038HL | Back To Back High Load | 78 | 8 | - | 750 | 600 | 76 |
| A2039 | Linked A2030 Blocks | 94 | 8 | - | 750 | 140 | 52 |



A2030-40 A2131 A2132 A2133 A2133-677 A2133-77

| Part | Description | Length mm | Max Line Dia. mm | Shackle Pin mm | Breaking Load kg | MWL kg | Weight g | Hole Centres mm |
|-----------|----------------------------------|-----------|------------------|----------------|------------------|--------|----------|-----------------|
| A2030-40 | Linked 30 & 40 Blocks | 110 | 8/10 | - | 750 | 140 | 63 | - |
| A2131 | Single Through Deck | 47 | 8 | - | 500 | 140 | 25.6 | 60 |
| A2132 | Double Through Deck | 77 | 8 | - | 500 | 140 | 45 | 90 |
| A2133 | Flip Flop Block | - | 8 | - | 700 | 140 | 53 | 20 |
| A2133-677 | Flip Flop Block With A.677 Cleat | - | 8 | - | 700 | 140 | 119 | 20 |
| A2133-77 | Flip Flop Block With A..77 Cleat | - | 8 | - | 700 | 140 | 128 | 20 |



A4101 A4111 A4801 A2036-PROFIX A5405S

| Part | Description | Length mm | Max Line Dia. mm | Shackle Pin mm | Breaking Load kg | MWL kg | Weight g | Hole Centres mm |
|--------------|-------------------------|-----------|------------------|----------------|------------------|--------|----------|-----------------|
| A4101 | Upstand Block | 45 | 8 | - | 850 | 140 | 57 | 25 |
| A4111 | Double Upstand Block | 45 | 8 | - | 850 | 140 | 46 | 47 x 25 |
| A4801 | Through Deck Block | 45 | 8 | - | 700 | 140 | 39 | 25 |
| A2036-PROFIX | Cheek Adaptor For A2031 | - | - | - | - | - | 3.8 | - |
| A5405S | Shackle Head For A2031 | 19 | - | 5 | 1250 | - | 9 | - |

40mm Dynamic Blocks

Allen 40mm Dynamic Blocks are built using a light weight composite cheek with a rope friendly, light weight stainless steel anchor strap and patented Allen dynamic bearing system. The range features a large central hole, which provides great options for tie-on becketts and is available with a variety of accessories, making it the suitable choice for demanding applications. These include dinghy mainsheets, jib and spinnaker sheeting systems as well as keelboat control lines.



40mm

40MM BLOCKS



| Part | Description | Length mm | Max Line Dia. mm | Shackle Pin mm | Breaking Load kg | MWL kg | Weight g | Hole Centres mm |
|---------------|-------------------------------------|-----------|------------------|----------------|------------------|--------|----------|-----------------|
| A2040 | Single | 64 | 10 | - | 800 | 180 | 36.4 | - |
| A2040B | Removable Bolt Block | 64 | 10 | - | 800 | 180 | 37.2 | - |
| A2040HK | Single With Hook | 110 | 10 | - | 500 | 180 | 68 | - |
| A2040SC | Swivel | 73 | 10 | 4 | 800 | 180 | 46.5 | - |
| A2040Tii | Tii-On Single | 58 | 10 | - | 800 | 180 | 34.5 | - |
| A2046 | Cheek | 62 | 10 | - | 800 | 180 | 33.0 | 35 |
| A2040-4222ASS | Single With Swivel Plate And Spring | 78 | 10 | - | 800 | 180 | 69 | - |
| A2040LZ | Single With Lacing Eye And Spring | 77.5 | 10 | - | 800 | 180 | 45 | 34 |



| Part | Description | Length mm | Max Line Dia. mm | Breaking Load kg | MWL kg | Weight g |
|--------|--------------------|-----------|------------------|------------------|--------|----------|
| A2042 | Double | 84 | 10 | 1350 | 320 | 89.0 |
| A2045 | Triple | 84 | 10 | 1350 | 320 | 129 |
| A2054B | Triple With Becket | 84 | 10 | 1350 | 320 | 149 |
| A2047 | Quad | 84 | 10 | 1350 | 320 | 165 |

40mm



Diam 24 © Steve Holloway



| Part | Description | Length mm | Max Line Dia. mm | Breaking Load kg | MWL kg | Weight g |
|-----------------|--------------------------|-----------|------------------|------------------|--------|----------|
| A2040XHL-BLACK | Extreme High Load Black | 54 | 9 | 1500 | 650 | 71 |
| A2040XHL-BLUE | Extreme High Load Blue | 54 | 9 | 1500 | 650 | 71 |
| A2040XHL-GOLD | Extreme High Load Gold | 54 | 9 | 1500 | 650 | 71 |
| A2040XHL-ORANGE | Extreme High Load Orange | 54 | 9 | 1500 | 650 | 71 |
| A2040XHL-PURPLE | Extreme High Load Purple | 54 | 9 | 1500 | 650 | 71 |
| A2040XHL-SILVER | Extreme High Load Silver | 54 | 9 | 1500 | 650 | 71 |



| Part | Description | Length mm | Max Line Dia. mm | Shackle Pin mm | Breaking Load kg | MWL kg | Weight g |
|-------------|--|-----------|------------------|----------------|------------------|--------|----------|
| A2040SC-676 | Single With Swivel And A.676 Cam Cleat | 73 | 10 | 4 | 800 | 180 | 142 |
| A2040SC-677 | Single With Swivel And A.677 Cam Cleat | 73 | 6 | 4 | 800 | 180 | 107 |
| A2041 | Single With Swivel And 20mm Fiddle Block | 100 | 10 | 4 | 800 | 180 | 86 |
| A2041-676 | Single With Swivel, 20mm Fiddle Block And A.676 | 100 | 10 | 4 | 800 | 180 | 140 |
| A2041-677 | Single With Swivel, 20mm Fiddle Block And A.677 | 100 | 6 | 4 | 800 | 180 | 128 |
| A2041-677HK | Single With Swivel, Fiddle Block, A.677 And Hook | 100 | 6 | 4 | 500 | 180 | 140 |



A2043 A2043-676 A2043-677

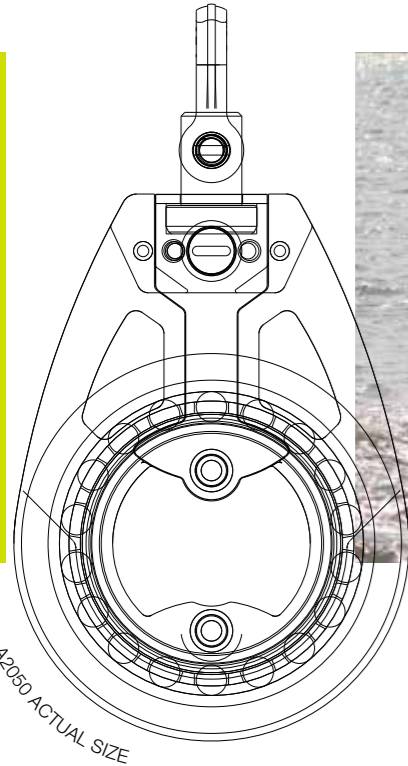


A2044 A2044-676 A2044-677 A2044-677HK

| Part | Description | Length mm | Max Line Dia. mm | Shackle Pin mm | Breaking Load kg | MWL kg | Weight g |
|-------------|---|-----------|------------------|----------------|------------------|--------|----------|
| A2043 | Single With Swivel And Becket | 100 | 10 | 4 | 800 | 180 | 79 |
| A2043-676 | Single With Swivel, Becket And A.676 | 100 | 10 | 4 | 800 | 180 | 157 |
| A2043-677 | Single With Swivel, Becket And A.677 | 100 | 6 | 4 | 800 | 180 | 152 |
| A2044 | Single With Swivel, 20mm Fiddle Block And Becket | 122 | 10 | 4 | 800 | 180 | 100 |
| A2044-676 | Single With Swivel, Fiddle Block, Becket And A.676 | 122 | 10 | 4 | 800 | 180 | 152 |
| A2044-677 | Single With Swivel, Fiddle Block, Becket And A.677 | 122 | 6 | 4 | 800 | 180 | 147 |
| A2044-677HK | Single With Swivel, Fiddle Block, Becket A.677 And Hook | 122 | 6 | - | 800 | 180 | 167 |

50 & 60mm Dynamic Blocks

Allen 50mm Dynamic Blocks utilise our patented Dynamic bearing technology, the high quality stainless steel ball bearings running on stainless steel rails provides unsurpassed performance under load. The large central hole for tie-on becket requirements gives this block range a distinctive style and significant weight reduction and is available with a variety of accessories. Suitable for numerous demanding applications on boats, including Catamarans and Keelboats, the multi blocks provides great free running performance under load.



Team Provezza - Petticrows Dragon - Credit: Paul Manning

Key for load rating tables

Maximum Working Load (MWL)

The maximum load that the block will endure with repeated sheave movement

Breaking Load

The load at which a major block failure is likely to occur



A2058
A2068

A2159
A2169

| Part | Description | Length mm | Max Line Dia. mm | Shackle Pin mm | Breaking Load kg | MWL kg | Weight g | Sheave Dia. mm |
|-------|--|-----------|------------------|----------------|------------------|--------|----------|----------------|
| A2058 | Triple With Ratchet And Adjustable Cleat | 120 | 10 | 4 | 950 | 470 | 394 | 50 |
| A2068 | Triple With Ratchet And Adjustable Cleat | 148 | 12 | 5 | 1250 | 600 | 535 | 60 |
| A2159 | Quint With Ratchet And Adjustable Cleat | 136 | 10 | 5 | 950 | 470 | 503 | 50 |
| A2169 | Quint With Ratchet & Adjustable Cleat | 148 | 12 | 6 | 1250 | 600 | 749 | 60 |



A2054
A2064

A2054HK

A2055
A2065

| Part | Description | Length mm | Max Line Dia. mm | Shackle Pin mm | Breaking Load kg | MWL kg | Weight g | Sheave Dia. mm |
|---------|--------------------|-----------|------------------|----------------|------------------|--------|----------|----------------|
| A2054 | Triple | 100 | 10 | 4 | 950 | 470 | 190 | 50 |
| A2064 | Triple | 130 | 12 | 5 | 1250 | 600 | 353 | 60 |
| A2054HK | Triple With Hook | 140 | 10 | 4 | 950 | 470 | 227 | 50 |
| A2055 | Triple With Becket | 136 | 10 | 4 | 950 | 470 | 223 | 50 |
| A2065 | Triple With Becket | 148 | 12 | 5 | 1250 | 600 | 397 | 60 |

A2054
"strong, reliable and super smooth!"
Jake Cookson



A2056
A2066

A2057
A2067

A2059
A2069

A2069B

| Part | Description | Length mm | Max Line Dia. mm | Shackle Pin mm | Breaking Load kg | MWL kg | Weight g | Sheave Dia. mm |
|--------|-------------------|-----------|------------------|----------------|------------------|--------|----------|----------------|
| A2056 | Quad | 100 | 10 | 5 | 950 | 470 | 269 | 50 |
| A2066 | Quad | 130 | 12 | 5 | 1250 | 600 | 443 | 60 |
| A2057 | Quad With Becket | 136 | 10 | 5 | 950 | 470 | 274 | 50 |
| A2067 | Quad With Becket | 148 | 12 | 5 | 1250 | 600 | 456 | 60 |
| A2059 | Quint | 100 | 10 | 5 | 950 | 470 | 323 | 50 |
| A2069 | Quint | 130 | 12 | 6 | 1250 | 600 | 549 | 60 |
| A2069B | Quint With Becket | 150 | 12 | 6 | 1250 | 600 | 555 | 60 |



A2050
A2060

A2050Tii
A2060Tii

A2050C
A2060C

A2052
A2062

A2053
A2063

| Part | Description | Length mm | Max Line Dia. mm | Shackle Pin mm | Breaking Load kg | MWL kg | Weight g | Hole Centres mm | Sheave Dia. mm |
|----------|--------------------|-----------|------------------|----------------|------------------|--------|----------|-----------------|----------------|
| A2050 | Single | 95 | 10 | 4 | 900 | 300 | 73 | - | 50 |
| A2060 | Single | 118 | 12 | 5 | 1000 | 500 | 126 | - | 60 |
| A2050Tii | Single Tii-On | 72 | 10 | - | 900 | 300 | 61 | - | 50 |
| A2060Tii | Single Tii-On | 84 | 10 | - | 1400 | 700 | 91 | - | 60 |
| A2050C | Single Cheek Block | 96 | 10 | - | 900 | 300 | 80 | 51 | 50 |
| A2060C | Single Cheek Block | 115 | 12 | 5 | 1000 | 500 | 149 | 60 | 60 |
| A2052 | Double | 100 | 10 | 4 | 950 | 450 | 148 | - | 50 |
| A2062 | Double | 130 | 12 | 5 | 1250 | 600 | 255 | - | 60 |
| A2053 | Double With Becket | 136 | 10 | 4 | 950 | 450 | 160 | - | 50 |
| A2063 | Double With Becket | 148 | 12 | 5 | 1250 | 600 | 271 | - | 60 |

Tii-On Blocks

Our Tii-On Blocks feature a stainless steel loop at the head of the block. This gives our range maximum strength and reliability with minimal cheek separation when tied on and loaded up with a soft shackle. The stainless steel head loop also ensures the block stays in the right orientation when being used.



| Part | Description | Length mm | Max Line Dia. mm | Breaking Load kg | MWL kg | Weight g |
|----------|---------------|-----------|------------------|------------------|--------|----------|
| A2020Tii | Single Tii-On | 29 | 6 | 540 | 115 | 8 |
| A2022Tii | Double Tii-On | 29 | 6 | 600 | 225 | 15.6 |
| A2030Tii | Single Tii-On | 42 | 8 | 750 | 140 | 24 |
| A2032Tii | Double Tii-On | 42 | 8 | 1250 | 280 | 48 |
| A2040Tii | Single Tii-On | 58 | 10 | 800 | 180 | 34.5 |
| A2050Tii | Single Tii-On | 72 | 10 | 900 | 300 | 61 |
| A2060Tii | Single Tii-On | 84 | 10 | 1400 | 700 | 91 |

Tii-Shackles

Tii shackles are made by Marlow in the UK and feature an adjustable loop to make attachment quick and easy. This simple and easy attachment system will save weight and give you more options for attaching blocks. Perfectly designed for use with our Tii-On blocks and Pad-Tii ranges.



| Part Number | Description | Length mm | Diameter mm | Breaking Load kg | Weight kg/100m | For Use With |
|-------------|-------------|-----------|-------------|------------------|----------------|----------------------|
| A15110 | Tii-Shackle | 110 | 1.5 | 360 | 0.18 | 20 & 30mm Tii Blocks |
| A18140 | Tii-Shackle | 140 | 1.8 | 455 | 0.24 | 40 & 50mm Tii Blocks |

To see the full range go to page 82

Dog Bones

Allen Dog Bones can be used in a variety of applications. Ideal for use with soft shackles as rope stops. CNC machined from aluminium our Dog Bones are extremely hard wearing. Add a bit of colour to your boat with the Allen Dog Bones. Available in 6 colours. Black, Blue, Gold, Silver, Purple and Orange



| Part Number | Description | Length mm | Maximum Outside Diameter mm | Minimum Outside Diameter mm | Rope Diameter mm | *Safe Working Load kg | *Breaking Load kg | Weight g |
|-------------|-------------|-----------|-----------------------------|-----------------------------|------------------|-----------------------|-------------------|----------|
| A8606 | Dogbone | 24 | 6 | 4 | 2 - 4 | 350 | 600 | 1 |
| A8608 | Dogbone | 32 | 8 | 6 | 4 - 5 | 600 | 1100 | 3 |
| A8612 | Dogbone | 40 | 12 | 7 | 5 - 6 | 1400 | 2500 | 7 |
| A8616 | Dogbone | 48 | 16 | 8 | 6 - 8 | 2000 | 3500 | 14 |

*Estimated Loads

High Load Thimbles

Thimbles are a great alternative to blocks when there is a need for high static load capabilities. Our high load thimbles come coated in Teflon to help reduce friction. Machined from aluminium and anodised in a choice of 6 colours, black, blue, silver, purple, gold and orange. Also available in stainless steel.



A..82-8
A..82-10
A..82-14



A..87-15 A..87-20 A..87-25 A..87-30 A..87-35 A..87-50 A..87-75 A..87-90

| Part Number | Description | Inside Diameter mm | Depth mm | Maximum Working Load kg | Weight g |
|-------------|-------------------------|--------------------|----------|-------------------------|----------|
| A..87-15 | Aluminium Thimble | 6 | 6 | 300 | 1 |
| A..87-20 | Aluminium Thimble | 8 | 8 | 400 | 2 |
| A..87-25 | Aluminium Thimble | 10 | 10 | 800 | 5 |
| A..87-30 | Aluminium Thimble | 12 | 12 | 1000 | 7 |
| A..87-35 | Aluminium Thimble | 15 | 14 | 1500 | 11 |
| A..87-50 | Aluminium Thimble | 20 | 21 | 2000 | 40 |
| A..87-75 | Aluminium Thimble | 28 | 31 | 2500 | 154 |
| A..87-90 | Aluminium Thimble | 28 | 39 | 3000 | 289 |
| A..82-8 | Stainless Steel Thimble | 8 | 5 | 150 | 0.5 |
| A..82-10 | Stainless Steel Thimble | 9 | 6 | 250 | 2 |
| A..82-14 | Stainless Steel Thimble | 14 | 8 | 300 | 1.5 |

Pad-Tii

Our range of aluminium through deck bush and threaded through deck bushes have been well received by the industry so we have decided to continue with the development. To find out more information turn to page 53.



A8639-6
A8639-8
A8639-10
A8739-6
A8739-8
A8739-10
A8739-18

A8839
A8939

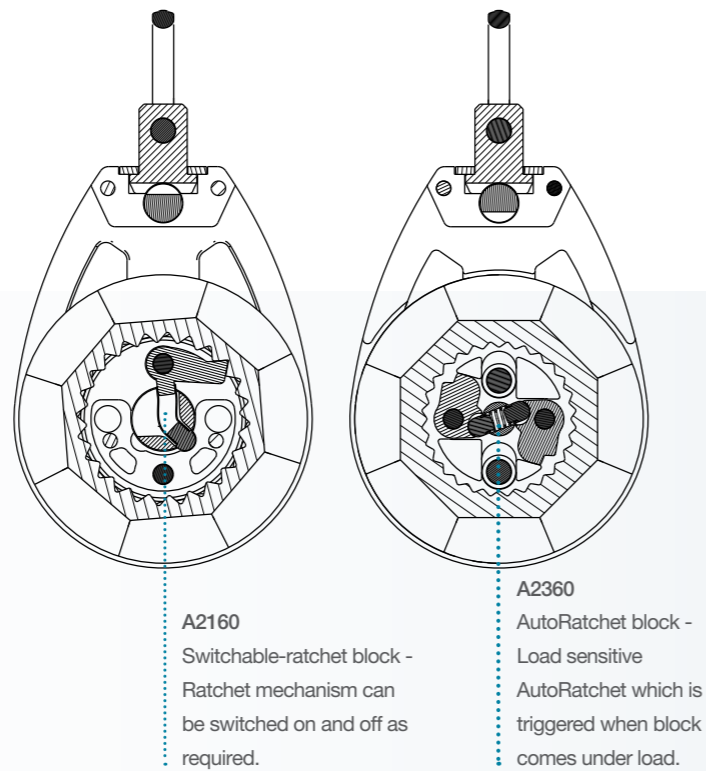
| Part Number | Description | Fixing Hole Centres mm | Fixing Hole Depth Maximum mm | Fixing Hole Depth Minimum mm | Fixing Hole Diameter mm | Outside Diameter mm | Breaking Load kg | Maximum Working Load kg | Weight g |
|-------------|----------------------------|------------------------|------------------------------|------------------------------|-------------------------|---------------------|------------------|-------------------------|----------|
| A8639-6 | Pad-Tii | 13 | 8 | 6 | 12.8 | 19 | 350 | 250 | 21 |
| A8639-8 | Pad-Tii | 13 | 10 | 8 | 12.8 | 19 | 350 | 250 | 21 |
| A8639-10 | Pad-Tii | 13 | 12 | 10 | 12.8 | 19 | 350 | 250 | 21 |
| A8739-6 | Pad-Tii | 17 | 8 | 6 | 16 | 24 | 400 | 300 | 7 |
| A8739-8 | Pad-Tii | 17 | 10 | 8 | 16 | 24 | 400 | 300 | 7 |
| A8739-10 | Pad-Tii | 17 | 12 | 10 | 16 | 24 | 400 | 300 | 7 |
| A8739-18 | Pad-Tii | 17 | 20 | 18 | 16 | 24 | 400 | 300 | 10 |
| A8839 | Pad-Tii With Fixed Tii Bar | 13 | 10 | 4.5 | 12.8 | 19 | 350 | 250 | 8 |
| A8939 | Pad-Tii With Fixed Tii Bar | 17 | 10 | 4.5 | 16 | 24 | 575 | 350 | 10 |

AutoRatchet

The Allen AutoRatchet Blocks were the first of their kind on the market some 30 years ago. Years of constant development, with the World's top sailors, has led us to the release of our X2 AutoRatchets. The new "X2" pawl system which incorporates two pawls into the mechanism ensures that the load is evenly shared between both pawls, this means that the block can withstand higher working loads while also increasing both the reliability and longevity. It also features the patented swivel head lock system which can be fixed in position, allowing for more setup options.

Switchable Ratchet

Allen Switchable Ratchet Blocks can easily be switched on or off, even under load. The patented swivel head lock system can be fixed in position, allowing for more setup options. The sheave design gives high grip under load while allowing easy release when required.



Wave Ratchet

The NEW wave ratchet offers 20 to 40%* more grip without adding any additional wear to the rope.

The most effective way to increase friction is to add sharp edges to the ratchet sheave, but this quickly deteriorates and wears away the rope. So, after working alongside leading rope manufacturers the Allen design team came up with a simple solution which improves grip without chewing away at your expensive rope.

The Wave Ratchet sheave has an offset V style grip, made from a hard-wearing recycled plastic nylon, which does not have sharp edges that will eat into the rope. Instead, by adjusting the V formation in the sheave to be slightly offset, the ratchet now grips the rope at additional points around the sheave, resulting in more grip. However, the new Wave Ratchet not only improves grip but as a result of the design it also allows for a less 'jumpy' feel when easing the sheets.

*Depends on the type of rope in use with the sheave.



A2160WAVE

A2360WAVE

| Part | Description | Sheave Dia. mm | Length mm | Max Line Dia. mm | Shackle Pin mm | Breaking Load kg | Trigger Load kg | MWL kg | Weight g |
|-----------|------------------------------|----------------|-----------|------------------|----------------|------------------|-----------------|--------|----------|
| A2160WAVE | Pro-Ratchet With Wave Sheave | 60 | 110 | 12 | 5 | 1000 | - | 275 | 110 |
| A2360WAVE | X2 Wave AutoRatchet | 60 | 110 | 12 | 5 | 1000 | 10 | 275 | 139 |



A2345
"Perfect for our kite sheets. Turns on and off exactly when you want it to."
Fynn Sterritt

| Part | Description | Sheave Dia. mm | Length mm | Max Line Dia. mm | Shackle Pin mm | Breaking Load kg | Trigger Load kg | MWL kg | Weight g |
|-------------|-----------------------------------|----------------|-----------|------------------|----------------|------------------|-----------------|--------|----------|
| A2140 | Pro-Ratchet 40 | 40 | 78 | 6 | 4 | 475 | - | 120 | 40 |
| A2345 | X2 AutoRatchet | 45 | 90 | 8 | 4 | 280 | 10 | 140 | 56 |
| A2150 | Pro-Ratchet 50 | 50 | 95 | 10 | 4 | 700 | - | 200 | 64.5 |
| A2150C | Pro-Ratchet 50 With Cheek Adaptor | 50 | 92 | 10 | 4 | 700 | - | 200 | 80 |
| A2150FIDDLE | Pro-Ratchet 50 With Fiddle | 50 | 126 | 10 | 4 | 700 | - | 200 | 80 |
| A2160 | Pro-Ratchet 60 | 60 | 110 | 12 | 5 | 1000 | - | 275 | 110 |
| A2160C | Pro-Ratchet 60 With Cheek Adaptor | 60 | 108 | 12 | 5 | 1000 | - | 275 | 139 |
| A2160FIDDLE | Pro-Ratchet 60 With Fiddle | 60 | 150 | 12 | 5 | 1000 | - | 275 | 139 |
| A2360 | X2 AutoRatchet | 60 | 110 | 12 | 5 | 1000 | 10 | 275 | 110 |



A2169 & A2069
"The Quint mainsheet system is really, really smooth"
Laura Marimon

| Part | Description | Sheave Dia. mm | Length mm | Max Line Dia. mm | Shackle Pin mm | Breaking Load kg | MWL kg | Weight g |
|-------|---|----------------|-----------|------------------|----------------|------------------|--------|----------|
| A2151 | Pro-Ratchet With Becket & Cleat | 50 | 136 | 10 | 4 | 700 | 200 | 64.6 |
| A2161 | Single Switchable Ratchet With Becket & Cleat | 60 | 127 | 12 | 5 | 1000 | 275 | 333 |
| A2058 | Triple With Switchable Ratchet & Adjustable Cleat | 50 | 120 | 10 | 4 | 950 | 470 | 394 |
| A2068 | Triple With Switchable Ratchet, Becket & Cleat | 60 | 145 | 12 | 5 | 1250 | 600 | 535 |
| A2159 | Quint With Switchable Ratchet, Becket & Cleat | 50 | 136 | 10 | 4 | 700 | 200 | 503 |
| A2169 | Quint With Switchable Ratchet, Becket & Cleat | 60 | 148 | 12 | 6 | 1000 | 600 | 750 |
| A.622 | Spring Guard For Ratchets | - | - | - | - | - | - | 2.5 |

Wire Blocks

Specifically intended for use where wire lines are subjected to low rotational high loads. The range uses stainless-steel side cheeks to give maximum strength in the smallest form possible and a single row of spaced stainless-steel ball bearings in the sheave. Available with different accessories including hooks, becket, swivels and shackles giving a whole range of choice to suit the application.



A4379HK-90 A4393 A4393HK A4479 A4993 AB1342

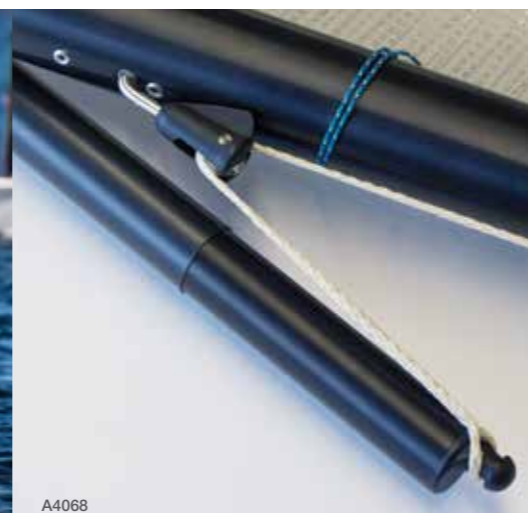


A4679 A4779 A4593 A4693 A4979

| Part | Description | Sheave Dia. mm | Length mm | Max Line Dia. mm | Shackle Pin mm | Breaking Load kg | Weight g |
|------------|--|----------------|-----------|------------------|----------------|------------------|----------|
| A4379HK-90 | Single With 90 Degree Hook | 25 | 90 | 2 - 6 | - | 500 | 81 |
| A4393 | Single Fixed Head With Becket | 25 | 59 | 2 - 5 | 5 | 750 | 31 |
| A4393HK | Single Fixed Head And Becket With Hook | 25 | 103 | 2 - 5 | - | 750 | 81 |
| A4479 | Single With Shackle | 25 | 58 | 2 - 5 | 5 | 750 | 33 |
| A4993 | Single Clevis Pin Head | 25 | 43 | 2 - 5 | 5 | 750 | 31 |
| AB1342 | Brass Sheaved Plain Bearing | 20 | 37 | 6 | - | 540 | - |
| A4679 | Double Fixed Head | 25 | 57 | 2 - 5 | 5 | 750 | 54 |
| A4779 | Double Fixed Head With Becket | 25 | 70 | 2 - 5 | 5 | 750 | 60 |
| A4593 | Triple Fixed Head | 25 | 57 | 2 - 5 | 5 | 750 | 78 |
| A4693 | Triple Fixed Head With Becket | 25 | 70 | 2 - 5 | 5 | 750 | 84 |
| A4979 | Quad Fixed Head | 25 | 51 | 2 - 5 | 5 | 750 | 89 |



Nick Evans - Optimist - Credit: Sportography TV

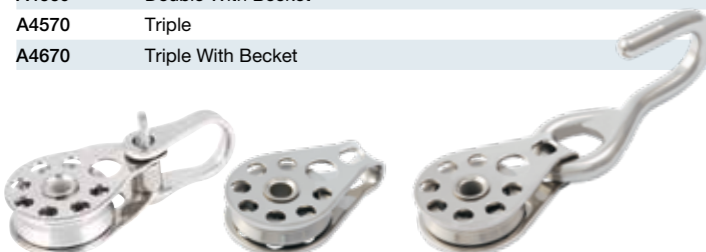


A4068



A4568 A4668 A4569 A4669 A4570 A4670

| Part | Description | Sheave Diameter mm | Length mm | Max Line Dia. mm | Shackle Pin mm | Breaking Load kg | Weight g |
|-------|--------------------|--------------------|-----------|------------------|----------------|------------------|----------|
| A4568 | Single | 16 | 29 | 2 - 4 | 4 | 400 | 11 |
| A4668 | Single With Becket | 16 | 50 | 4 | 4 | 400 | 40 |
| A4569 | Double | 16 | 40 | 2 - 4 | 4 | 400 | 25 |
| A4669 | Double With Becket | 16 | 50 | 2 - 4 | 4 | 400 | 26 |
| A4570 | Triple | 16 | 40 | 2 - 4 | 4 | 400 | 36 |
| A4670 | Triple With Becket | 16 | 50 | 2 - 4 | 4 | 400 | 38 |



A4279 A4379 A4379HK

| Part | Description | Sheave Diameter mm | Length mm | Max Line Dia. mm | Shackle Pin mm | Breaking Load kg | Weight g |
|---------|---------------------|--------------------|-----------|------------------|----------------|------------------|----------|
| A4279 | Single Flared Cheek | 25 | 41 | 2 - 7 | 5 | 750 | 44 |
| A4379 | Single Fixed Head | 25 | 41 | 2 - 5 | 5 | 750 | 25 |
| A4379HK | Single With Hook | 25 | 105 | 2 - 6 | - | 500 | 81 |



A4196 A4296 A4396



A4496 A4596 A4696 A4796 A4068

| Part | Description | Sheave Dia. mm | Length mm | Max Line Dia. mm | Shackle Pin mm | Breaking Load kg | Weight g |
|-------|-------------------------------|----------------|-----------|------------------|----------------|------------------|----------|
| A4196 | Single Fixed Head | 38 | 62 | 2 - 6 | 5 | 1000 | 71 |
| A4296 | Single With Shackle | 38 | 74 | 2 - 6 | 5 | 1000 | 80 |
| A4396 | Single Fixed Head With Becket | 38 | 80 | 2 - 6 | 5 | 1000 | 84 |
| A4496 | Double Fixed Head | 38 | 74 | 2 - 6 | 5 | 1000 | 141 |
| A4596 | Double Fixed Head With Becket | 38 | 93 | 2 - 6 | 5 | 1000 | 150 |
| A4696 | Triple Fixed Head | 38 | 74 | 2 - 6 | 5 | 1000 | 195 |
| A4796 | Triple Fixed Head With Becket | 38 | 93 | 2 - 6 | 5 | 1000 | 208 |
| A4068 | Optimist Sprit | 16 | 55 | 2 - 4 | 4 | 400 | 20 |

Classic Dinghy Blocks

Manufactured from nylon and available with either a plain bearing system or ball bearing system. Originally used for the Laser® class mainsheet system they have also become the block of choice for many other dinghy mainsheet systems. Available in a black, grey and blue



| Part | Description | Sheave Dia. mm | Length mm | Max Line Dia. mm | Breaking Load kg | MWL kg | Weight g |
|------------------------|---|----------------|-----------|------------------|------------------|--------|----------|
| A.178 A.178BB | Single Plain Bearing | 25 | 48 | 8 | 250 | 140 | 13 |
| A.178-74 A.178-74BB | Single Plain Bearing With Inglefield Clip | 25 | 69 | 8 | 250 | 140 | 23 |
| A.278 A.278BB | Single Plain Bearing | 38 | 67 | 10 | 300 | 155 | 36 |
| A.278-74 A.278-74BB | Single Plain Bearing With Inglefield Clip | 38 | 86 | 10 | 300 | 155 | 45 |
| A.378 A.378BB | Single Plain Bearing With Becket | 38 | 86 | 10 | 300 | 155 | 38 |
| A.179BBO | Linked Singles Nylon Ball Bearing Blocks | 28 | 98 | 8 | 250 | 150 | 30 |



Dylan Fletcher – International Moth – credit: James Tomlinson

V Cleat Blocks

Simple yet effective choice for many vang and cunningham setups. Available in stainless steel or die-cast aluminium and with different fixing accessories giving choices to suit most applications.



| Part | Description | Sheave Dia. mm | Length mm | Max Line Dia. mm | Shackle Pin mm | Breaking Load kg | MWL kg | Weight g |
|---------|---|----------------|-----------|------------------|----------------|------------------|--------|----------|
| A..93 | Plain Bearing Single Sheave With Becket | 26 | 79 | 6 | 5 | 620 | 310 | 39 |
| A..93LZ | Plain Bearing Single Sheave With Becket & Key | 26 | 86 | 6 | 5 | 620 | 310 | 40 |
| A.165A | V Cleat With Double Sheave & Curved Key | 26 | 100 | 2 - 6 | 5 | 620 | 310 | 62 |
| A.165LZ | V Cleat With Double Sheave & Becket | 26 | 93 | 2 - 6 | 5 | 620 | 310 | 61 |
| A.165PS | V Cleat With Double Sheave & Straight Key | 26 | 100 | 2 - 6 | 5 | 620 | 310 | 62 |
| A4165 | V Cleat With Double Sheave | 26 | 72.8 | 2 - 6 | 5 | 450 | 250 | 38 |
| A4165SC | V Cleat With Double Sheave & Swivel | 26 | 100 | 2 - 6 | 5 | 450 | 250 | 59 |
| A4165E | V Cleat With Double Sheave & Hook | 26 | 104.5 | 2 - 6 | - | 450 | 250 | 63 |
| A4265 | V Cleat With Single Sheave & Becket | 26 | 61 | 2 - 6 | 5 | 450 | 250 | 33 |

Lightweight Plain Bearing Blocks

Featuring 316 stainless steel sides and a variety of sheave material options and sizes. They provide a great budget solution to low movement applications that just need a simple yet attractive block.






| Part | Description | Sheave Dia. mm | Length mm | Max Line Dia. mm | To Suit Shackle Pin mm | Breaking Load kg | Weight g |
|--------|--|----------------|-----------|------------------|------------------------|------------------|----------|
| A4078 | Single With Acetal Sheave | 16 | 26 | 5 | 4 | 275 | 5 |
| A4080 | Single With Brass Sheave | 16 | 26 | 5 | 4 | 275 | 10 |
| A4081 | Double With Acetal Sheave | 16 | 30 | 5 | 4 | 275 | 10 |
| A4181 | Cheek With Acetal Sheave | 16 | 30 | 5 | 4 | 275 | 6 |
| A4093 | Single With Becket And Acetal Sheave | 25 | 54 | 8 | 5 | 400 | 23 |
| A4178 | Single With Acetal Sheave | 25 | 41 | 8 | 5 | 400 | 13 |
| A4178E | Single With Hook And Acetal Sheave | 25 | 72 | 8 | - | 400 | 39 |
| A4501 | Through Deck Single With Acetal Sheave | 16 | 16 | 5 | - | 275 | 7 |
| A4601 | Through Deck Single With Brass Sheave | 16 | 16 | 5 | - | 275 | 13 |
| A4301 | Through Deck Double With Acetal Sheave | 16 | 38 | 5 | - | 275 | 15 |
| A4401 | Through Deck Double With Brass Sheave | 16 | 38 | 5 | - | 275 | 27 |

Springs Stainless Steel

Our stainless steel springs are designed to be paired with our range of dynamic blocks. Available as a firm, soft or conical design to give the block the desired stand up stance you require.

| Part | Description | Height mm | Inside Dia. mm | Outside Dia. mm | Weight g | Wire Diameter mm |
|-------|-----------------------------|-----------|----------------|-----------------|----------|------------------|
| A1034 | Firm Stainless Steel | 43.7 | 21.4 | 25.4 | 10 | 2 |
| A4033 | Soft Stainless Steel | 43.2 | 22.6 | 25.4 | 16 | 1.4 |
| A4034 | Cone Shaped Stainless Steel | 25 | 13.7 | 23.2 | 2 | 1.2 |

Below is a chart that shows the compatibility between the different styles of springs and block ranges.

| | Lacing eye | 20mm range | 30mm range | 40mm range | 50mm range | 60mm range | A2345 ratchet | A2140 ratchet | A2150 ratchet | A4621 ratchet | A2160 ratchet | A2360 ratchet | A4093 | A4178 | 27mm range | 38mm range |
|---|------------|------------|------------|------------|------------|------------|---------------|---------------|---------------|---------------|---------------|---------------|-------|-------|------------|------------|
|  | A4073 | | ✓ | ✓ | ✓ | ✓ | ✓ | ✓ | ✓ | ✓ | ✓ | ✓ | ✓ | ✓ | ✓ | ✓ |
| | A4388 | | ✓ | ✓ | ✓ | ✓ | ✓ | ✓ | ✓ | ✓ | ✓ | ✓ | ✓ | ✓ | ✓ | ✓ |
| | A4488 | | ✓ | ✓ | ✓ | ✓ | ✓ | ✓ | ✓ | ✓ | ✓ | ✓ | ✓ | ✓ | ✓ | ✓ |
| | A5015 | | ✓ | ✓ | ✓ | ✓ | ✓ | ✓ | ✓ | ✓ | ✓ | ✓ | ✓ | ✓ | ✓ | ✓ |
| | A5015F | | ✓ | ✓ | ✓ | ✓ | ✓ | ✓ | ✓ | ✓ | ✓ | ✓ | ✓ | ✓ | ✓ | ✓ |
| | A6050 | | ✓ | ✓ | ✓ | ✓ | ✓ | ✓ | ✓ | ✓ | ✓ | ✓ | ✓ | ✓ | ✓ | ✓ |
| | A6051 | | ✓ | ✓ | ✓ | ✓ | ✓ | ✓ | ✓ | ✓ | ✓ | ✓ | ✓ | ✓ | ✓ | ✓ |
|  | A4073 | | ✓ | ✓ | ✓ | ✓ | ✓ | ✓ | ✓ | ✓ | ✓ | ✓ | ✓ | ✓ | ✓ | ✓ |
| | A4088 | | ✓ | ✓ | ✓ | ✓ | ✓ | ✓ | ✓ | ✓ | ✓ | ✓ | ✓ | ✓ | ✓ | ✓ |
| | A4388 | | ✓ | ✓ | ✓ | ✓ | ✓ | ✓ | ✓ | ✓ | ✓ | ✓ | ✓ | ✓ | ✓ | ✓ |
| | A4488 | | ✓ | ✓ | ✓ | ✓ | ✓ | ✓ | ✓ | ✓ | ✓ | ✓ | ✓ | ✓ | ✓ | ✓ |
| | A5015 | | ✓ | ✓ | ✓ | ✓ | ✓ | ✓ | ✓ | ✓ | ✓ | ✓ | ✓ | ✓ | ✓ | ✓ |
| | A5015F | | ✓ | ✓ | ✓ | ✓ | ✓ | ✓ | ✓ | ✓ | ✓ | ✓ | ✓ | ✓ | ✓ | ✓ |
| | A5016 | | ✓ | ✓ | ✓ | ✓ | ✓ | ✓ | ✓ | ✓ | ✓ | ✓ | ✓ | ✓ | ✓ | ✓ |
|  | A5016F | | ✓ | ✓ | ✓ | ✓ | ✓ | ✓ | ✓ | ✓ | ✓ | ✓ | ✓ | ✓ | ✓ | ✓ |
| | A6050 | | ✓ | ✓ | ✓ | ✓ | ✓ | ✓ | ✓ | ✓ | ✓ | ✓ | ✓ | ✓ | ✓ | ✓ |
| | A6051 | | ✓ | ✓ | ✓ | ✓ | ✓ | ✓ | ✓ | ✓ | ✓ | ✓ | ✓ | ✓ | ✓ | ✓ |
| | A4073 | ✓ | ✓ | ✓ | | | ✓ | ✓ | | | | | | ✓ | | |
| | A4288 | ✓ | ✓ | ✓ | | | ✓ | ✓ | | | | | | ✓ | | |
| | A4388 | ✓ | ✓ | ✓ | | | ✓ | ✓ | | | | | | ✓ | | |
| | A5014 | ✓ | ✓ | ✓ | | | ✓ | ✓ | | | | | | ✓ | | |
| A4034 | A5014F | ✓ | ✓ | ✓ | | | ✓ | ✓ | | | | | ✓ | | | |
| | A5015 | ✓ | ✓ | ✓ | | | ✓ | ✓ | | | | | ✓ | | | |
| | A5015F | ✓ | ✓ | ✓ | | | ✓ | ✓ | | | | | ✓ | | | |
| | A6050 | ✓ | ✓ | ✓ | | | ✓ | ✓ | | | | | ✓ | | | |
| | A6051 | ✓ | ✓ | ✓ | | | ✓ | ✓ | | | | | ✓ | | | |
| | A4073 | ✓ | ✓ | ✓ | | | ✓ | ✓ | | | | | ✓ | | | |
| | A6051 | ✓ | ✓ | ✓ | | | ✓ | ✓ | | | | | ✓ | | | |

Stanchion Mounted Blocks

An inexpensive yet brilliantly simple solution for leading lines from the foredeck back to the cockpit



| Part Number | Description | Length mm | Line Diameter mm | Bracket Diameter mm | Maximum Working Load kg | Breaking Load kg | Weight g |
|-------------|--|-----------|------------------|---------------------|-------------------------|------------------|----------|
| A.450 | Stanchion Mounted Plain Bearing Block | 94 | 14 | 25 | 200 | 280 | 69 |
| A.450A | Stanchion Mounted Block With Removable Pin | 94 | 14 | 25 | 200 | 280 | 69 |
| A.455 | Stanchion Mounted Fairlead With Stainless Bush | 60 | 14 | 25 | 200 | 280 | 43 |



Jake Cookson - Land Yacht - Credit: Mike Griffin

Snatch Blocks

Allen Snatch Blocks feature the same dynamic bearing technology as our 30 and 40mm dynamic ranges. Our snatch blocks have an easy to use mechanism for opening and closing the cheeks making them the perfect choice for any application where attaching and releasing from control lines is important.



A1375 A1375-4102 A1375-S A1376



A1377 A1378 A4475

| Part | Description | Length mm | Max Line Dia. mm | Breaking Load kg | MWL kg | Sheave Dia. mm | Weight g |
|-------------|---|-----------|------------------|------------------|--------|----------------|----------|
| A1375 | Snatch Block | 76 | 6 - 10 | 700 | 200 | 40 | 95 |
| A1375-A4102 | Snatch Block With Swivel | 76 | 6 - 10 | 700 | 200 | 40 | 95 |
| A1375-S | Snatch Block With Additional Small Sheave | 80 | 10 | 700 | 200 | 40 & 16 | 93.5 |
| A1376 | Snatch Block With Snap Shackle | 76 | 6 - 10 | 700 | 180 | 40 | 203 |
| A1377 | Snatch Block With No Keeper Mechanism | 76 | 6 - 10 | 700 | 200 | 40 | 94 |
| A1378 | Back To Back Snatch Blocks With Swivel | 76 | 6 - 10 | 700 | 140 | 40 | 373 |
| A4475 | Snatch Block | 53 | 5 - 6 | 350 | 140 | 30 | 28 |

Sheaves

Made from acetal resin, aluminium or stainless steel and featuring either stainless steel ball bearings or plain bearings, our sheaves come in a wide range of sizes and configurations to suit all applications. Ideal for replacing old or worn parts or building a custom fitting yourself. Breaking loads are very dependant on the axle fitting used.

| | Part Number | Description | Diameter mm | Width mm | Bore mm | Weight g | Breaking Load Kg | Colour |
|---------|---------------|--|---------------|----------|---------|----------|------------------|--------|
| | A3342 | High Load SS Sheave With Double Row Ball Bearing | 20 | 11 | 4.5 | 12 | 540 | - |
| | A3342XHL | XHL Cassette | 20 | 11 | 4.5 | 11.2 | 900 | - |
| | A3343 | High Load SS Sheave With Double Row Ball Bearing | 30 | 13 | 7.5 | 26 | 800 | - |
| | A4567 | High Load SS Sheave With Single Row Ball Bearing | 16 | 5 | 3.5 | 5 | 400 | - |
| | A4986-6 | High Load SS Sheave With Single Row Ball Bearing | 25 | 6 | 8 | 17 | 750 | - |
| | A4986-8 | High Load SS Sheave With Single Row Ball Bearing | 25 | 8 | 8.4 | 19 | 750 | - |
| | A4786-6 | High Load SS Sheave With Single Row Ball Bearing | 38 | 6 | 8 | 51 | 1000 | - |
| | A4786-8 | High Load SS Sheave With Single Row Ball Bearing | 38 | 8 | 8 | 55 | 1000 | - |
| | A4886 | Acetal Sheave With Double Row Ball Bearing | 20 | 7 | 3 | 3 | 540 | Grey |
| | A4886-5 | Acetal Sheave With Double Row Ball Bearing | 20 | 7 | 5 | 3 | 540 | - |
| | A4886B | Acetal Sheave With Double Row Ball Bearing | 20 | 7 | 3 | 3 | 540 | Black |
| | A4086 | Acetal Sheave With Double Row Ball Bearing | 27 | 10 | 4.4 | 7 | 700 | Grey |
| | A4086B | Acetal Sheave With Double Row Ball Bearing | 27 | 10 | 4.4 | 7 | 700 | Black |
| | A3086 | Acetal Sheave With Double Row Ball Bearing | 38 | 12 | 5 | 16 | 800 | Grey |
| | A1086 | Acetal Sheave With Double Row Ball Bearing | 40 | 14 | 6 | 26 | 700 | Grey |
| | A1086B | Acetal Sheave With Double Row Ball Bearing | 40 | 14 | 6 | 26 | 700 | Black |
| | A1086SP | Acetal Sheave With Double Row Ball Bearing | 40 | 14 | 8 | 27 | 700 | Grey |
| | A1086SP-B | Acetal Sheave With Double Row Ball Bearing | 40 | 14 | 8 | 27 | 700 | Black |
| | A1886 | Acetal Sheave With Double Row Ball Bearing | 52 | 15 | 6.5 | 46 | 800 | Grey |
| | | A..45 | Acetal Sheave | 15 | 6 | 6 | 0.5 | - |
| A..86-6 | | Acetal Sheave | 25 | 6 | 8 | 2 | - | - |
| A..86-8 | | Acetal Sheave | 26 | 8 | 8 | 2.5 | - | - |
| A.220 | | Acetal Sheave | 27 | 6 | 9 | 2 | - | - |
| A..85 | | Acetal Sheave | 36 | 6 | 8 | 5 | - | - |
| A.150 | | Acetal Sheave | 38 | 8 | 8 | 7 | - | - |
| A.150-6 | | Acetal Sheave | 38 | 6 | 8 | 7 | - | - |
| A.119 | | Acetal Sheave | 50 | 8 | 8 | 10 | - | - |
| A.386 | | Nylon Cheek Block | 27 | 8 | 75 | 9 | - | - |
| A.612 | | Acetal Sheave | 20 | 7 | 6 | 1 | - | - |
| A.613 | | Acetal Sheave | 27 | 10 | 8 | 2 | - | - |
| A.614 | | Acetal Sheave | 38 | 12 | 8 | 8 | - | - |
| A..80A | | Acetal Sheave Wide | 27 | 18 | 10 | 4 | - | - |
| A..80B | | Acetal Sheave Wide | 27 | 18 | 8 | 4 | - | - |
| A.215 | | Acetal Sheave | 38 | 12 | 8 | 9 | - | - |
| A.216 | Acetal Sheave | 50 | 13 | 8 | 14 | - | - | |
| | A.217 | Acetal Sheave | 74 | 13 | 9 | 26 | - | - |
| | A.219 | Acetal Sheave | 62 | 13 | 7.8 | 20 | - | - |
| | A..84 | Aluminium Sheave | 28 | 8 | 9 | 10 | - | - |
| | A.185 | Aluminium Sheave | 38 | 6 | 8 | 14 | - | - |
| | A..83 | Aluminium Sheave | 38 | 8 | 8 | 20 | - | - |
| | A.315 | Aluminium Sheave | 38 | 12 | 8 | 30 | - | - |
| | A..46 | Brass Sheave | 16 | 6 | 6 | 6.5 | - | - |

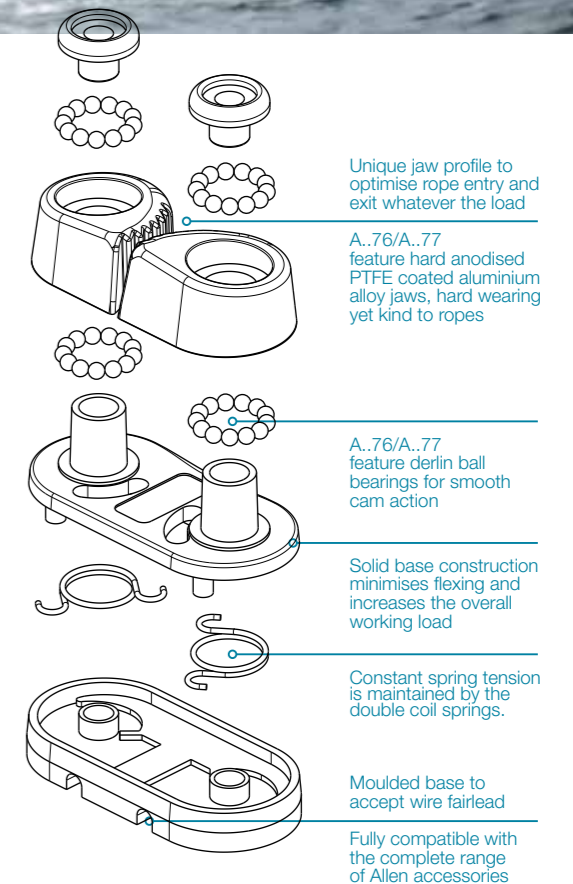
Cleats and Jammers



Cam Cleats

Allen cam cleats have had more than 50 years of meticulous R&D to perfect their design. Available in either Alloy or Allenite* the jaw profile optimizes rope entry and exit for smooth cleating and uncleating, whilst double coil springs and ball bearing technology give consistent cam action. The addition of the ultra-prolead with wire reinforcement enhances cleating angles for superior performance and longevity. For hardwearing applications you can't beat the alloy series cam cleat for strength and durability while minimising line wear.

**Allenite is a proprietary material developed by Allen specifically for high wear resistance, low weight and good heat dissipation. Ideal for lighter loaded and for less frequently used applications and where weight saving is a premium over the alloy range.*



Unique jaw profile to optimise rope entry and exit whatever the load

A..76/A..77 feature hard anodised PTFE coated aluminium alloy jaws, hard wearing yet kind to ropes

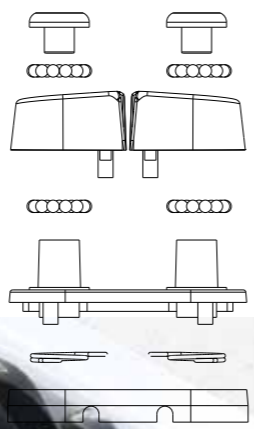
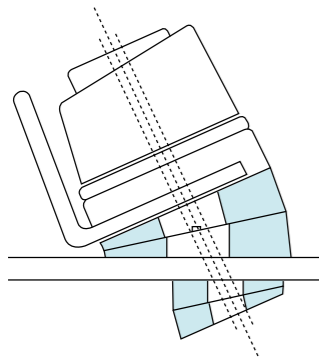
A..76/A..77 feature derlin ball bearings for smooth cam action

Solid base construction minimises flexing and increases the overall working load

Constant spring tension is maintained by the double coil springs.

Moulded base to accept wire fairlead

Fully compatible with the complete range of Allen accessories



| Part | Description | Line Size mm | Fixing Hole Centres mm | Height mm | Weight g | Fixing Hole Size mm | MWL kg |
|-----------|--|--------------|------------------------|-----------|----------|---------------------|--------|
| A..76 | Ball Bearing Cam Cleat - Medium | 4 - 10 | 38 | 29 | 63 | 5 | 150 |
| A..77 | Ball Bearing Cam Cleat - Small | 2 - 6 | 28 | 22 | 29 | 4 | 100 |
| A..76-496 | Ball Bearing Cam Cleat With Mega Pro Lead - Medium | 4 - 10 | 38 | 48 | 103 | 5 | 150 |
| A..77-497 | Ball Bearing Cam Cleat With Mega Pro Lead - Small | 2 - 6 | 28 | 39 | 50 | 4 | 100 |
| A.676 | Allenite Cam Cleat - Medium | 4 - 10 | 38 | 29 | 34 | 5 | 130 |
| A.677 | Allenite Cam Cleat - Small | 2 - 6 | 28 | 22 | 22 | 4 | 80 |
| A.676-496 | Allenite Cam Cleat With Mega Pro Lead - Medium | 4 - 10 | 38 | 48 | 74 | 5 | 130 |
| A.677-497 | Allenite Cam Cleat With Mega Pro Lead - Small | 2 - 6 | 28 | 39 | 45 | 4 | 100 |
| A4077 | Stainless Steel Base Cam Cleat - Medium | 4 - 12 | 38 | 18 | 34 | 5 | 60 |
| A4476 | Stainless Steel Base Cam Cleat - Small | 2 - 6 | 26 | 10 | 16 | 4 | 40 |
| A4334 | Fairlead With A.676 Cam Cleat | 4 - 10 | - | - | 96 | 5 | 130 |
| A5848 | Laser Control Line Cleats With Base | 2 - 6 | 67 | 56 | 141.9 | 5 | 100 |
| A5861 | Laser Lower Vang Unit | 2 - 6 | - | 82 | 201.5- | 5 | - |

Cam Cleat Accessories

Allen Cam Cleat Accessories are available to make sure you get the most from your Allen Cam Cleat. There is a range of cleat lifters, wedges and fairleads to ensure that the rope running through your cam cleat is as efficient as possible.



| Part | Description | Fixing Hole Centres mm | Use With | Weight g |
|----------------|---|------------------------|----------------------------|----------|
| A.496 A.497 | Mega Pro-Lead Medium Mega Pro-Lead Small | 38 28 | A.676/A..76 A.677/A..77 | 40 40 |
| A.396 A.397 | Pro-Lead Medium Pro-Lead Small | 38 28 | A.676/A..76 A.677/A..77 | 35 35 |
| A.488 A.588 | Fairlead Small Fairlead Medium | 28 38 | A.67/A..77 A.676/A..76 | 2 5 |
| A1396 A1397 | Pro-Lead Wedge Medium Pro-Lead Wedge Small | 38 28 | A.676/A..76 A.677/A..77 | 95 95 |
| A.597 | Mainsheet Roller | 38 | A..76 | 97 |



| Part | Description | Fixing Hole Centres mm | Use With | Weight g |
|----------------|---|------------------------|------------------------------|----------|
| A4665 A4675 | Stainless Steel Wire Under Fairlead Small Stainless Steel Wire Under Fairlead Medium | - - | A.677/A..77 A.676/A..76 | 6 12 |
| A.193 A.293 | Cleat Lifter 15mm High Cleat Lifter 22mm High | 28 38 | A.677/A..77 A.676/A..76 | 11 21 |
| A.194 A.294 | Cleat Lifter 8mm Cleat Lifter 10mm High | 28 38 | A.677 / A..77 A.676/A..76 | 6 13 |
| A4761 A4771 | Through Deck Fairlead Medium Through Deck Fairlead Small | 38 28 | A.676/A..76 A.677/A..77 | 49 22 |
| A.493-993 | Wedge Kit Small | 28 | A.677/A..77 | 7 |
| A.593-893 | Wedge Kit Medium | 38 | A.676/A..76 | 12 |
| A.993 A.893 | Cam Cleat Wedge Small Cam Cleat Wedge Medium | 28 38 | A.677/A..77 A.676/A..76 | 291 4 |
| A.493 | Under Deck Cam Cleat Wedge Small | 28 | A.677/A..77 | - |
| A.593 | Under Deck Cam Cleat Wedge Medium | 38 | A.676/A..76 | - |
| A.762 | Backing Plate | 38 | A..76 / A.676 | - |
| A.793 | Cam Cleat Wedge | 26 | A4476 | 3 |

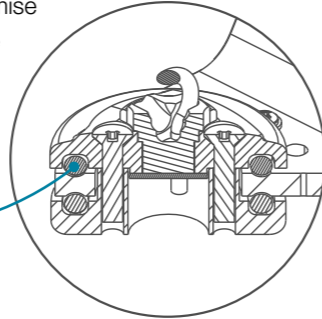


A5166FIDDLE

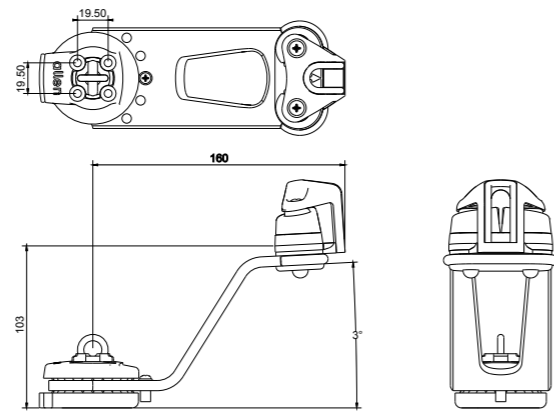
Mainsheet Jammers

Allen Mainsheet Jammers have had many hours of research and development to give the best possible product. The range features our World leading cold forged bearing system which has a ball locating groove for smooth rotation whilst preventing the lateral movement of the arm. The angle and height of the cam cleat has been carefully designed to optimise mainsheet jamming and release when required. The angles of rotation can be set to 180, 220 or 360 degrees.

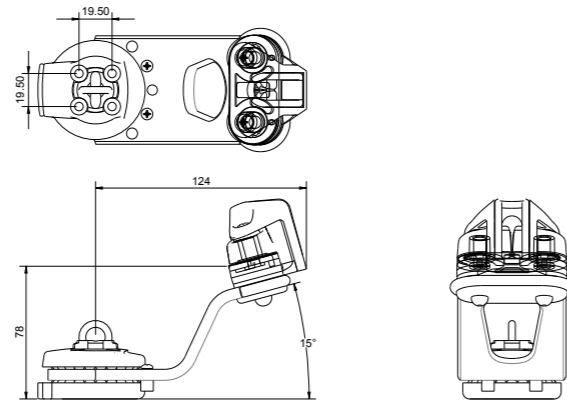
Improved base and bearing mechanism



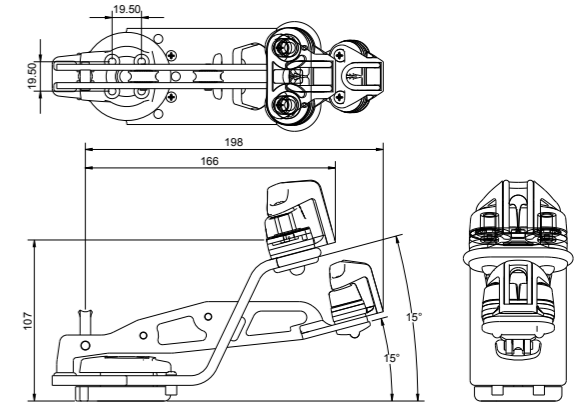
A5166
A5166ASSEMBLED



A5166COMP
A5166COMP-ASS



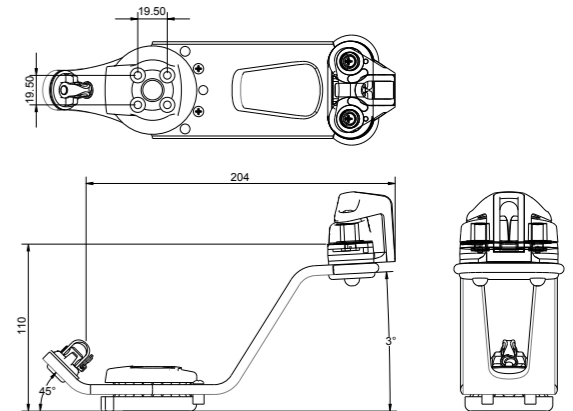
A5166DUAL
A5166DUAL-ASS



The A5266 range has the block mounted behind the swivel centre and angled towards the cleat. This creates a turning force on the block and jammer, meaning that the cleat will always be forced to point away from the boom and towards the helm ensuring the rope is to hand.



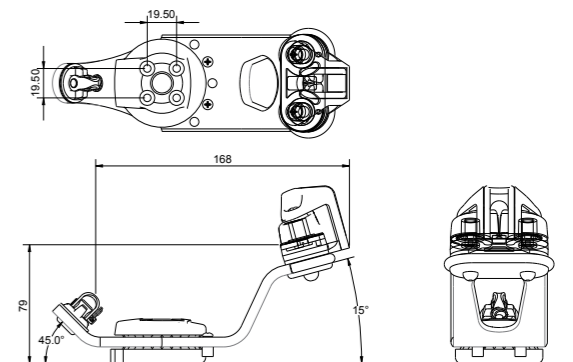
A5266
A5266ASS



"Loving the slingshot and the cleat angle is spot on. Great product."
George Hand



A5266COMP
A5266COMP-ASS

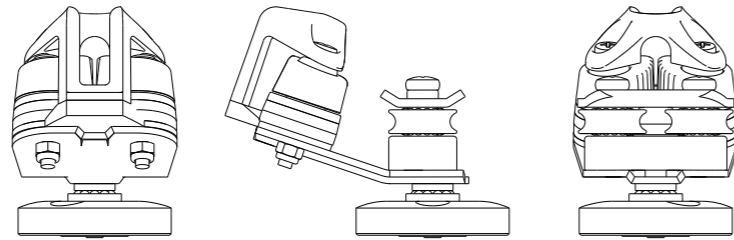


| Part | Description | Fixing Hole Centres mm | Fixing Hole Size mm | MWL kg | Weight g |
|----------------|--|------------------------|---------------------|--------|----------|
| A5166FIDDLE | Standard Height Aluminium Arm With A2160Fiddle | 19.5 x 19.5 | 5 | 600 | 504 |
| A5166 | Standard Height Aluminium Arm | 19.5 x 19.5 | 5 | 600 | 368 |
| A5166ASSEMBLED | Standard Height Aluminium Arm With A2160 | 19.5 x 19.5 | 5 | 600 | 484 |
| A5166COMP | Compact Aluminium Arm | 19.5 x 19.5 | 5 | 600 | 342 |
| A5166COMP-ASS | Compact Aluminium Arm With A2160 | 19.5 x 19.5 | 5 | 600 | 486 |

| Part | Description | Fixing Hole Centres mm | Fixing Hole Size mm | MWL kg | Weight g |
|---------------|---|------------------------|---------------------|--------|----------|
| A5166DUAL | Dual Aluminium Arm With A..76 and A.77 | 19.5 x 19.5 | 5 | 600 | 513 |
| A5166DUAL-ASS | Dual Aluminium Arm With A.76, A.77 and A2160 | 19.5 x 19.5 | 5 | 600 | 620 |
| A5266 | Self Aligning Mainsheet Jammer | 19.5 x 19.5 | 5 | 600 | 406 |
| A5266ASS | Self Aligning Mainsheet Jammer With A2160 | 19.5 x 19.5 | 5 | 600 | 500 |
| A5266COMP | Compact Self Aligning Mainsheet Jammer | 19.5 x 19.5 | 5 | 600 | 369 |
| A5266COMP-ASS | Compact Self Aligning Mainsheet Jammer With A2160 | 19.5 x 19.5 | 5 | 600 | 490 |

Swivel Cleats

Allen Swivel Cleats have been designed to give smooth sheeting articulation for a variety of applications from jib sheeting to vang systems. The cam cleats are mounted on a high grade stainless steel platform, and angled upward for ease of cleating. Available with either a plain bearing or ball bearing swivel base.



Ovington 29er - Credit: Pedro / Sailing Energy



| Part | Description | Line Size mm | Height mm | Fixing Hole Centres mm | Weight g | Fixing Hole Size mm | Cam Cleat | Maximum Working Load kg |
|----------------|--|--------------|-----------|------------------------|----------|---------------------|-----------|-------------------------|
| A4866 | Angled With Small Ball Bearing Cleat | 2 - 6 | 57 | 3 x 27 | 114 | 5 | A..77 | 150 |
| A4866X | Ball Bearing Swivel With Angled Base | 2 - 6 | 82 | 3 x 27 | 141 | 5 | A..77 | 150 |
| A4866XB | Flat Ball Bearing Base With Sheaved Fairlead | 2 - 6 | 57 | 3 x 27 | 120 | 5 | A..77 | 150 |
| A4866XB-Angled | Angled Ball Bearing Base With Sheaved Fairlead | 2 - 6 | 92 | 3 x 27 | 141 | 5 | A..77 | 150 |



| Part | Description | Line Size mm | Height mm | Fixing Hole Centres mm | Weight g | Fixing Hole Size mm | Cam Cleat | Maximum Working Load kg |
|-------|--|--------------|-----------|------------------------|----------|---------------------|-----------|-------------------------|
| A4867 | 360 Swivel Cleat With Optional Stop 45/60/80 | 2 - 6 | 52 | 3 x 19 | 77 | 5 | A.677 | 100 |
| A4876 | Through Deck Control Line Lead Cleat | 4 - 6 | 63 | 4 x 29 | 120 | 5 | A..77 | 150 |



| Part | Description | Line Size mm | Height mm | Fixing Hole Centres mm | Weight g | Fixing Hole Size mm | Cam Cleat | Maximum Working Load kg |
|-----------|--|--------------|-----------|------------------------|----------|---------------------|-----------|-------------------------|
| A4988 | 180 Swivel Cleat | 4 - 10 | 95.2 | 85 | 108 | 5 | A..77 | 100 |
| A4988X | 180 Swivel Cleat With Removable Sheave | 4 - 10 | 95.2 | 85 | 108 | 5 | A..77 | 100 |
| A2133-677 | 30mm Flip Flop Block With A.677 Cleat | 8 | 52 | 20 | 119 | 5 | A.677 | 140 |
| A2133-77 | 30mm Flip Flop Block With A..77 Cleat | 8 | 52 | 20 | 128 | 5 | A..77 | 140 |



| Part | Description | Line Size mm | Height mm | Fixing Hole Centres mm | Weight g | Fixing Hole Size mm | Cam Cleat | Maximum Working Load kg |
|---------------|---|--------------|-----------|------------------------|----------|---------------------|-----------|-------------------------|
| A4466 | Angled With Medium Allenite Cleat | 4 - 10 | 72 | 3 x 27 | 137 | 5 | A.676 | 120 |
| A4466Straight | Straight With Medium Allenite Cleat | 4 - 10 | 62 | 3 x 27 | 137 | 5 | A.676 | 120 |
| A4566 | Angled With Medium Ball Bearing Cleat | 4 - 10 | 72 | 3 x 27 | 168 | 5 | A..76 | 150 |
| A4566Straight | Straight With Medium Ball Bearing Cleat | 4 - 10 | 62 | 3 x 27 | 168 | 5 | A..76 | 150 |
| A4766 | Angled With Small Allenite Cleat | 2 - 6 | 57 | 3 x 27 | 100 | 5 | A.677 | 120 |
| A4766Straight | Straight With Small Allenite Cleat | 2 - 6 | 47 | 3 x 27 | 100 | 5 | A.677 | 120 |

Clamcleats®

The innovative range of Clamcleat® rope cleats for control lines and trapezes. Made from high pressure die cast aluminium, finished in silver or hard anodising.

Please visit www.clamcleat.com for more information



| Part | Description | Rope Diameter mm | Fixing Hole Centres mm | Length mm | Width mm | Height mm | Weight g |
|--------------|---|------------------|------------------------|-----------|----------|-----------|----------|
| C203 | Clamcleat Junior | 3 - 6 | 66 | 82 | 18 | 23 | 17 |
| C211M1 | MK 1 Racing Junior Silver | 3 - 6 | 66 | 82 | 18 | 23 | 34 |
| C211M1A | MK 1 Racing Junior Anodised | 3 - 6 | 66 | 82 | 18 | 23 | 34 |
| C211M2 | MK 2 Racing Junior Silver | 3 - 6 | 27 | 55 | 16 | 20 | 23 |
| C211M2A | MK 2 Racing Junior Anodised | 3 - 6 | 27 | 55 | 16 | 20 | 23 |
| C211MK2/S2 | MK 2 Racing Junior Silver With Becket | 3 - 6 | 27 | 55 | 16 | 20 | 23 |
| C211MK2/S2AN | Mk 2 Racing Junior Anodised With Becket | 3 - 6 | 27 | 55 | 16 | 20 | 23 |
| C217M1 | Mk 1 Side Entry Silver Starboard | 3 - 6 | 66 | 82 | 18 | 23 | 32 |
| C217M1A | Mk 1 Side Entry Anodised Starboard | 3 - 6 | 66 | 82 | 18 | 23 | 32 |
| C218M1 | Mk 1 Side Entry Silver Port | 3 - 6 | 66 | 82 | 18 | 23 | 32 |
| C218M1A | Mk 1 Side Entry Anodised Port | 3 - 6 | 66 | 82 | 18 | 23 | 32 |
| C218M2 | MK 2 Side Entry Silver Port | 3 - 6 | 27 | 55 | 17 | 20 | 24 |
| C222 | Racing Mini Silver | 3 - 6 | 36 | 48 | 15 | 21 | 16 |
| C222A | Racing Mini Anodised | 3 - 6 | 36 | 48 | 15 | 21 | 16 |
| C230 | Racing Junior MK1 With Roller | 3 - 6 | 66 | 82 | 18 | 23 | 35 |
| C236A | Roller Fairlead MK 1 Racing Junior Anodised | 3 - 6 | 66 | 82 | 18 | 25 | 40 |
| C253 | Trapeze And Vang Clamcleat Silver | 4 - 8 | 72 | 90 | 18 | 35 | 46 |
| C253A | Trapeze And Vang Clamcleat Anodised | 4 - 8 | 72 | 90 | 18 | 35 | 46 |
| C257 | Auto-Release Racing Mini | 4 - 6 | 36 | 68 | 22 | 28 | 31 |
| C270A | Racing Micros With Becket Anodised | 1 - 4 | 24 | 44 | 13 | 19 | 14 |

V Cleats

A simple but effective cleating option for applications where fine tune adjustment is not necessary.

| Part | Material | Fixing Hole Size mm | Rope Diameter mm | Fixing Hole Centres mm | Length mm | Height mm | Weight g |
|-------|--------------------|---------------------|------------------|------------------------|-----------|-----------|----------|
| A.146 | Glass Filled Nylon | 4 | 2 - 6 | 53 | 65 | 15 | 5 |
| A.246 | Glass Filled Nylon | 4 | 2 - 8 | 80 | 97 | 23 | 18 |
| A.346 | Glass Filled Nylon | 5 | 3 - 12 | 108 | 129 | 32 | 51 |
| A4146 | Stainless Steel | 4 | 3 - 6 | 23 | 29 | 10 | 9 |
| A4246 | Stainless Steel | 5 | 2 - 6 | 53 | 67 | 13 | 10 |

Burgee Cleats

Originally designed for securing burgee and pennant lines, Allen Burgee Cleats have a wide range of applications and are a favourite for committee boats, race huts and club flag posts.

| Part | Description | Fixing Hole Size mm | Max Rope Diameter mm | Fixing Hole Centres mm | Length mm | Height mm | Weight g |
|-------|--------------------|---------------------|----------------------|------------------------|-----------|-----------|----------|
| A.124 | Small Burgee Cleat | 3 | 6 | 63 | 12 | 23 | 3 |
| A.130 | Large Burgee Cleat | 3 | 8 | 92 | 17 | 34 | 6 |

Mast & Deck Cleats

The classic rope cleat, used for spars, decks and numerous other applications where rope needs securing

| Part | Material | Fixing Hole Size mm | Max Rope Diameter mm | Fixing Hole Centres mm | Length mm | Height mm | Weight g |
|-------|-----------|---------------------|----------------------|------------------------|-----------|-----------|----------|
| A..81 | Nylon | 3 | 5 | 20 | 62 | 13 | 6 |
| A.181 | Nylon | 4 | 8 | 33 | 99 | 20 | 9 |
| A.281 | Nylon | 5 | 10 | 48 | 155 | 27 | 33 |
| A.381 | Nylon | 6 | 14 | 64 | 200 | 38 | 74 |
| A.781 | Nylon | 5 | 11 | 42 | 133 | 25 | 22 |
| A.481 | Acetal | 5 | 8 | 31 | 100 | 18 | 10 |
| A.581 | Aluminium | 4 | 6 | 25 | 100 | 20 | 43 |
| A.681 | Aluminium | 4 | 8 | 30 | 139 | 21 | 73 |

Pump Action Cleat

The ultimate fast cleating and automatic releasing cleat for rapid but positive hoisting. Most frequently used in conjunction with a 1:2 spinnaker halyard system with elastic take-away. Watch the video to find out more <https://www.youtube.com/watch?v=ag-3ipgrqs>

| Part | Description | Max Rope Diameter mm | Fixing Hole Centres mm | Length mm | Height mm |
|-------|-------------------|----------------------|------------------------|-----------|-----------|
| A2077 | Pump Action Cleat | 1.5 - 4 | 18 | 40 | 33.5 |

Track and Keelband



Team Provezza - Petticrows Dragon - Credit: Paul Manning

Mast Track

Extruded aluminium track profiles, suitable as luff track for a sail, securing awnings to structures and curtain side panels.



A..26-1
A..26-2
A..26-260
A..26-3
A..26-4

A.526-1
A.526-2
A.526-TA

A.626
A.626-1

A.656
A.656-UNANOD

A.824

A.924

| Part Number | Description | Length mm | Fixing Hole Centres mm | Fixing Hole Diameter mm | Internal Width mm | End Stop Required | To Suit Slug |
|--------------|-------------------------------|-----------|------------------------|-------------------------|-------------------|-------------------|-----------------|
| A..26-1 | Alloy Track Un-Anodised | 3660 | Undrilled | Undrilled | 16 | A.136 | A..89 and A..95 |
| A..26-2 | Alloy Track | 3660 | 76 | 5 | 16 | A.136 | A..89 and A..95 |
| A..26-260 | Alloy Track | 260 | Undrilled | Undrilled | 16 | A.136 | A..89 and A..95 |
| A..26-3 | Alloy Track | 300 | 76 | 5 | 16 | A.136 | A..89 and A..95 |
| A..26-4 | Alloy Track | 1055 | 76 | 5 | 16 | A.136 | A..89 and A..95 |
| A.526-1 | Alloy Track Un-Anodised | 3660 | Undrilled | Undrilled | 19 | A.738 | A..90 and A..92 |
| A.526-2 | Alloy Track | 3660 | 76 | 5 | 19 | A.738 | A..90 and A..92 |
| A.526TA | Alloy Track | 3660 | Undrilled | Undrilled | 19 | A.738 | A..90 and A..92 |
| A.626 | Luff Groove Track | 5400 | Undrilled | Undrilled | 5 | A.824 | A.158 |
| A.626-1 | Luff Groove Track Un-Anodised | 5400 | Undrilled | Undrilled | 5 | A.824 | A.158 |
| A.656 | Luff Groove Track | 6000 | Undrilled | Undrilled | 5 | A.924 | A.158 and A.958 |
| A.656-UNANOD | Luff Groove Track Un-Anodised | 6000 | Undrilled | Undrilled | 5 | A.924 | A.158 and A.958 |
| A.824 | Sail Feeder | 15 | 20 | 4 | 10.5 | - | A.626 |
| A.924 | Sail Feeder | 30 | - | 4 | 9.5 | - | A.656 |

Track For Travellers

Alloy track designed for use with our range of traveller cars. Available in anodised black or silver with pre-drilled fixing holes. Also available un-anodised and with no fixing holes.



A.226-1
A.226-1000
A.226-2
A.226-222Black
A.226-230
A.226-330
A.226-5

A.326-1
A.326-2
A.726-4
A.226-5

A.816-0.9
A.816-1500
A.816-3.0

A.819-0.9
A.819-3.0

A.826-2
A.826-3

A.826B-1.5
A.826B-3.0
A.826-5

| Part Number | Description | Length mm | Fixing Hole Centres mm | Fixing Hole Diameter mm | End Stop Required | Colour |
|----------------|----------------------------|-----------|------------------------|-------------------------|-------------------|--------|
| A.226-1 | Alloy Track Un-Anodised | 3660 | Undrilled | Undrilled | A.136 | Silver |
| A.226-1000 | Alloy Track Anodised | 1000 | 76 | 4 | A.136 | Silver |
| A.226-2 | Alloy Track Anodised | 3660 | 76 | 4 | A.136 | Silver |
| A.226-222Black | Alloy Track Anodised | 222 | 76 | 4 | A.136 | Black |
| A.226-230 | Alloy Track Anodised | 230 | 76 | 4 | A.136 | Black |
| A.226-330 | Alloy Track Anodised | 330 | 76 | 4 | A.136 | Silver |
| A.226-5 | Alloy Track Anodised | 565 | 76 | 4 | A.136 | Silver |
| A.326-1 | Alloy Track Un-Anodised | 3660 | Undrilled | Undrilled | A.736 | Silver |
| A.326-2 | Alloy Track Anodised | 3660 | 75 | 5 | A.736 | Silver |
| A.726-4 | Alloy Track Anodised | 1043 | 75 | 5 | A.736 | Silver |
| A.726-5 | Alloy Track Anodised | 375 | 75 | 5 | A.736 | Silver |
| A.816-0.9 | Alloy Track Anodised | 900 | 75 | 4 | A.916 | Black |
| A.816-1500 | Alloy Track Anodised | 1500 | 75 | 4 | A.916 | Black |
| A.816-3.0 | Alloy Track Anodised | 3000 | 75 | 4 | A.916 | Black |
| A.819-0.9 | Alloy Track Anodised | 900 | 100 | 5 | A.946 | Black |
| A.819-3.0 | Alloy Track Anodised | 3000 | 100 | 5 | A.946 | Black |
| A.826-2 | Alloy Track Anodised | 3660 | 100 | 5 | A.536 / A.936 | Black |
| A.826-3 | Alloy Track Anodised | 3660 | Undrilled | Undrilled | A.536 / A.936 | Black |
| A.826-5 | Alloy Track Anodised Black | 900 | 100 | 5 | A.536 / A.936 | Black |
| A.826B-1.5 | Alloy Beam Track Anodised | 1500 | Undrilled | Undrilled | A.937 / A.946 | Black |
| A.826B-3.0 | Alloy Beam Track Anodised | 3000 | Undrilled | Undrilled | A.937 / A.946 | Black |

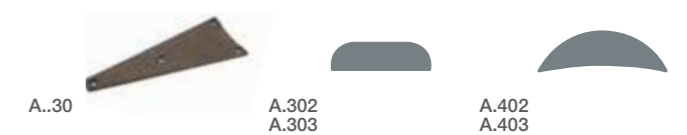


A.136 A.738 A.736 A.536 A.916 A.936 A.937 A.940 A.946 A4736

Track End Stops Complementary moulded end stops for our range of extruded track.

| Part Number | Description | To Suit Track |
|-------------|---------------------------|-----------------------|
| A.136 | End Stop | A.226 / A.326 / A.726 |
| A.738 | End Stop | A.526 |
| A.736 | End Stop | A.726 / A.326 |
| A.536 | End Stop | A.826 |
| A.916 | End Stop | A.816 |
| A.936 | End Stop | A.826 |
| A.937 | Pro-Lock Slug - M6 insert | A.826B (A4491) |
| A.940 | End Stop | A.826B |
| A.946 | End Stop | A.819 |
| A4736 | Adjustable End Stop | A.826 & A.826B |

Keelbands Anodised extruded aluminium keelband profiles both drilled and undrilled to fit a flat or curved mounting surface.



| Part Number | Description | Length mm | Fixing Hole Centres mm | Fixing Hole Diameter mm |
|-------------|-----------------------------|-----------|------------------------|-------------------------|
| A..30 | Keelband Fairing | 150 | - | 4 |
| A.302 | Light Weight Alloy Keelband | 3050 | Undrilled | Undrilled |
| A.303 | Light Weight Alloy Keelband | 3050 | 102 | 4 |
| A.402 | Convex Alloy Keelband | 3300 | Undrilled | Undrilled |
| A.403 | Convex Alloy Keelband | 3300 | 102 | 4 |

Deck and Hull Fittings

In the following section you will find our huge range of deck and hull fittings which ranges from CNC machined traveller cars to colourful anodised deck bushes, and everything in-between.



Ovington 29er - Credit: Pedro / Sailing Energy



Traveller Cars

Allen Traveller Cars are CNC machined from solid high grade aluminium and feature recirculating ball bearings to give a durable, strong and smooth performance every time you tack.

Available in 3 sizes:

Mini Profile: Our smallest and lightest traveller car to suit lightweight dinghy applications. Goes with track A.816

Traveller car sizes

| | A4389 | A4489 | A4589 |
|----------------|-------|--------|--------|
| | Mini | Low | Maxi |
| Height: | 16mm | 18mm | 26mm |
| Length: | 50mm | 60mm | 70mm |
| Width: | 40mm | 46mm | 50mm |
| Weight: | 50g | 65g | 80g |
| MWL: | 120kg | 180kg | 230kg |
| Breaking Load: | 800kg | 1200kg | 1400kg |



| Part Number | Description | To Suit Track | Diameter Of Eye mm | Height mm | Length mm | Width mm | Weight g | Accessories | *MWL kg | *BL kg |
|-------------|---|---------------|--------------------|-----------|-----------|----------|----------|---------------|---------|--------|
| A4289 | Mini Profile Traveller Car For Universal Fittings | A.816 | 5 | 18 | 49 | 40 | 57 | - | 120 | 800 |
| A4389 | Mini Profile Traveller Car | A.816 | - | 30 | 50 | 40 | 50 | - | 120 | 800 |
| A4389J | Mini Profile Traveller Car With Block and P Clip | A.816 | 6 | 31 | 90 | 40 | 70 | A2026 / A4035 | 120 | 800 |
| A4389M | Mini Profile Traveller Car With Blocks | A.816 | 6 | 28 | 106 | 40 | 80 | A2026 | 120 | 800 |
| A4389Tii | Mini Profile Car With Tii-On Attachment | A.816 | 4 | 18 | 50 | 40 | 40 | - | 120 | 800 |

*MWL = Maximum Working Load *BL = Breaking Load

Low Profile: Our midrange Mini Traveller Car and designed for heavier duty dinghy applications and light weight keelboat applications. Goes with track A.826



| Part Number | Description | To Suit Track | Max Line Dia. mm | Diameter Of Eye mm | Height mm | Length mm | Width mm | Weight g | Accessories | *MWL kg | *BL kg |
|-------------|---|---------------|------------------|--------------------|-----------|-----------|----------|----------|--------------------|---------|--------|
| A4244 | Low Profile Nylon Traveller Car With Lacing Eye | A.826 | - | 10 | 32 | 70 | 45 | 87 | A4376 | 180 | 1200 |
| A4489 | Low Profile Traveller Car | A.826 | - | 5 | 32 | 60 | 46 | 65 | - | 180 | 1200 |
| A4489J | Low Profile Traveller Car With Block And P Clip | A.826 | 6 | 5 | 33 | 90 | 46 | 95.6 | A2026 / A4035 | 180 | 1200 |
| A4489M | Low Profile Traveller Car With Blocks | A.826 | 6 | 5 | 32 | 105 | 46 | 94 | - | 180 | 1200 |
| A4489-SOLO | Low Profile Traveller Car For Solo Dinghy | A.826 | 6 | - | 60 | 70 | 70 | 90 | A.677-497 / A4086B | 180 | 1200 |
| A4489Tii | Low Profile Car For Tii-On Attachment | A.826 | 6 | - | 17 | 60 | 46 | 43 | - | 180 | 1200 |

Maxi Profile: Our biggest and most durable traveller car to suit the heaviest duty dinghy applications and medium keelboat applications. Goes with track A.819



| Part Number | Description | To Suit Track | Max Line Dia. mm | Diameter Of Eye mm | Height mm | Length mm | Width mm | Weight g | Accessories | *MWL kg | *BL kg |
|-------------|---|---------------|------------------|--------------------|-----------|-----------|----------|----------|-------------|---------|--------|
| A4589CAT676 | Maxi Profile Traveller Car For Catamaran | A.819 | 10 | - | 70 | 70 | 50 | 115 | A.676-496 | 230 | 1400 |
| A4589CAT677 | Maxi Profile Traveller Car For Catamaran | A.819 | 6 | - | 65 | 70 | 50 | 115 | A.677-497 | 230 | 1400 |
| A4589M | Maxi Profile Traveller Car With Blocks | A.819 | 10 | - | 50 | 70 | 50 | 147 | A2036 | 230 | 1400 |
| A4589Tii | Maxi Profile Traveller Car With Tii-On Attachment | A.819 | 8 | - | 26 | 70 | 50 | 56.6 | - | 230 | 1400 |
| A3302 | Catamaran Mainsheet Traveller Car | - | 6 | 20 | 105 | 90 | 69 | 269 | A4766 | 80 | 150 |

Self Tacking Jib System

The Allen self-tacking system is the strongest available on the market. Carefully designed, the CNC turned adjustable aluminium legs allow the geometry to work on the curved beam track at any angle, whilst the A4489F traveller car has a forked attachment point. Hard anodised black.



| Part | Description | Length mm |
|-----------|----------------------------------|-----------|
| A4491 | Self Tacking Jib System Complete | 1100 |
| A4491-1.2 | Self Tacking Jib System Complete | 1200 |

Sliding Fairleads & Sheet Leads

Allen Sliding Fairlead and Sheet Leads are ideal for jib sheeting. The piston stop allows for adjustment to the required sheeting angles, whilst the variety of available cam cleat and fairlead accessories give the best possible performance. All Sliding Fairlead and Sheet Leads are supplied as a pair with track, end stops and fastenings all included.



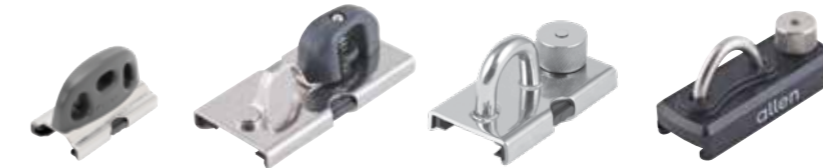
A4274 A4274-76 A4274TZ A4474 A4474-76 A4490

A4573 A4574 A4587 A4590

| Part Number | Description | Track Length mm | Distance Between Adjustments mm | Maximum Rope Size mm | Cleat | Track | Fixing Hole Centres mm | Fixing Hole Diameter mm | Number Of Fixing Holes |
|-------------|---|-----------------|---------------------------------|----------------------|-------|-------|------------------------|-------------------------|------------------------|
| A4274 | Piston Stop Nylon Fairlead Cam Cleat | 375 | 19 | 10 | A.676 | A.326 | 76 | 5 | 5 |
| A4274-76 | Piston Stop Nylon Fairlead Cam Cleat | 375 | 19 | 10 | A..76 | A.326 | 76 | 5 | 5 |
| A4274TZ | Piston Stop Nylon Fairlead Cam Cleat | 451 | 19 | 10 | A.676 | A.326 | 76 | 5 | 6 |
| A4474 | Piston Stop Wire Fairlead Vertical Cam Cleat | 300 | 19 | 10 | A.676 | A.326 | 76 | 5 | 4 |
| A4474-76 | Piston Stop Wire Fairlead Vertical Cam Cleat | 300 | 19 | 10 | A..76 | A.326 | 76 | 5 | 4 |
| A4490 | Adjustable Jib Track With A2030 | 450 | - | 8 | - | A.826 | 100 | 5 | 6 |
| A4573 | Sliding Wire Fairlead With Piston Stop | 330 | 19 | - | - | A.226 | 56 | 4 | 6 |
| A4574 | Piston Stop Wire Fairlead With A2030 | 330 | 19 | 8 | - | A.226 | 56 | 4 | 5 |
| A4587 | Piston Stop Bullseye Fairlead With Swivel Cleat | 300 | 19 | 10 | A..76 | A.226 | 76 | 4 | 4 |
| A4590 | Adjustable Jib Slider And Track | 222 | 19 | - | - | A.226 | 56 | 4 | 4 |

Track Slides

CNC machined aluminium or pressed stainless steel track slides with spring loaded piston stop options. The pressed options stainless steel slides are supplied with acetal runners for smooth adjustment.



| Part Number | Description | To Suit Track | Weight g | Length mm | Height mm | Width mm |
|-------------|---|---------------|----------|-----------|-----------|----------|
| A4089 | Mainsheet Slider | A.226 | 35 | 51 | 34 | 29 |
| A4354 | Slider With Piston Stop And Lacing Eye | A.326/A.726 | 81 | 76 | 28 | 39 |
| A4575 | Sliding Fairlead With Piston Stop | A.226 | 60 | 51 | 30 | 30 |
| A4591 | Black Sliding Fairlead With Piston Stop | A.226 | 62 | 66 | 30 | 26 |

Bow & Shroud Plates

Formed stainless steel Bow Plates feature jib and forestay attachment points. Shroud plates have formed holes to suit countersunk screws.



| Part Number | Description | Length mm | Width mm | Thickness mm | Fixing Hole Centres mm | Slot / Tenon mm | Weight g |
|-------------|------------------------------------|-----------|----------|--------------|------------------------|-----------------|----------|
| A4001E | Bow Plate | 105 | 17 | 1.7 | 36 | - | 79 |
| A4001S | Bow Plate | 158 | 20 | 1.7 | 36 | - | - |
| A4001-EPS | EPS Bow Tang | 50 | 63 | 2 | 24 | - | 31 |
| A4001W | Bow Plate Wayfarer | 35 | 20 | 1.7 | 36 | - | 54 |
| A4025 | Shroud Plate Pair | 194 | 16 | 2 | 57 | - | 37 |
| A4025S | Reinforced Shroud Plate Cover Pair | 194 | 16 | 2 | 57 | - | 50 |
| A4171 | Shroud Plate Cover With Small Slot | 64 | 16 | 2 | 47 | 16 x 2 | 12 |
| A4171S | Shroud Plate Cover With Large Slot | 64 | 16 | 2 | 47 | 16 x 4 | 12 |
| A4225 | Bow Plate | 94 | 87 | 1.7 | - | - | 103 |
| A5850 | Laser Deck Plate | 51 | 26 | 2 | 25 | - | 2 |

Snatch Fairleads & Lacing Hooks

Our Snatch Fairleads and Lacing Hooks are moulded from acetal, perfect for leading or attaching lines and shock cord.



| Part Number | Description | Rope Diameter mm | Height mm | Length mm | Fixing Hole Centres mm | Distance Between Fixings mm | Weight g |
|-------------|--------------------|------------------|-----------|-----------|------------------------|-----------------------------|----------|
| A..61 | Acetal Lacing Hook | 5 | 16 | 25 | 3 | 16 | 2 |
| A.135 | Nylon Lacing Hook | 8 | 20 | 49 | 4 | 19 | 4 |
| A.148 | Nylon Lacing Hook | 5 | 16 | 49 | 3 | 14 | 2 |
| A.248 | Nylon Lacing Hook | 4 | 18 | 57 | 4 | 43 | 4 |
| A.435 | Acetal Snatch Lead | 10 | 25 | 55 | 4 | 40 | 8 |
| A.535 | Acetal Snatch Lead | 12 | 34 | 72 | 5 | 53 | 21 |

Hatch Covers

Our Hatch Covers are made from a lightweight polypropylene and are available in a black, white, grey and easy to open designs.

A.137 and A.237 are a non 'O' ring design and have exposed fixings.

A.337, A.537 and A.637 all require a rubber 'O' Ring to keep them water tight.

A1737, A1837 and A1937 feature a fully threaded cover with watertight seal.

When ordering please specify which colour.



| Part Number | Description | Fixing Hole Size mm | Cut Out Size mm | Opening Size | 'O' Ring Required | Weight g | Colour Choice |
|-------------|--|---------------------|-----------------|--------------|-------------------|----------|------------------|
| A.137 | Non O Ring Hatch Cover | 3 | 109 | 99 | - | 42 | Grey/White |
| A.237 | Non O Ring Hatch Cover | 3 | 159 | 144 | - | 117 | Grey/White |
| A.337 | O Ring Seal Hatch Cover | 3 | 110 | 100 | A.338 | 62 | Grey/Black/White |
| A.337-BAG | O Ring Seal Hatch Cover With Hatch Bag | 3 | 110 | 100 | A.338 | 62 | Grey/Black/White |
| A.537 | O Ring Seal Hatch Cover | 3 | 157 | 145 | A.538 | 111 | Grey/Black/White |
| A.537-BAG | O Ring Seal Hatch Cover With Hatch Bag | 3 | 157 | 145 | A.538 | 111 | Grey/Black/White |
| A.637 | O Ring Seal Hatch Cover | 3 | 241 | 223 | A.638 | 266 | Grey/Black/White |
| A1737 | Integral Seal Rigid Hatch Cover | 4 | 108 | 100 | - | 84 | Grey/Black/White |
| A1837 | Integral Seal Rigid Hatch Cover | 4 | 138 | 130 | - | 117 | Grey/Black/White |
| A1937 | Integral Seal Rigid Hatch Cover | 4 | 154 | 148 | - | 142 | Grey/Black/White |
| A.338 | Rubber Sealing O Ring For A.337/A.337W | - | - | - | - | - | - |
| A.538 | Rubber Sealing O Ring For A.537/A.537W | - | - | - | - | - | - |
| A.638 | Rubber Sealing O Ring For A.637/A.637W | - | - | - | - | - | - |
| A-BAG-KIT | Hatch Cover Bag With Fixing Screw | - | - | - | - | - | - |

U Bolt

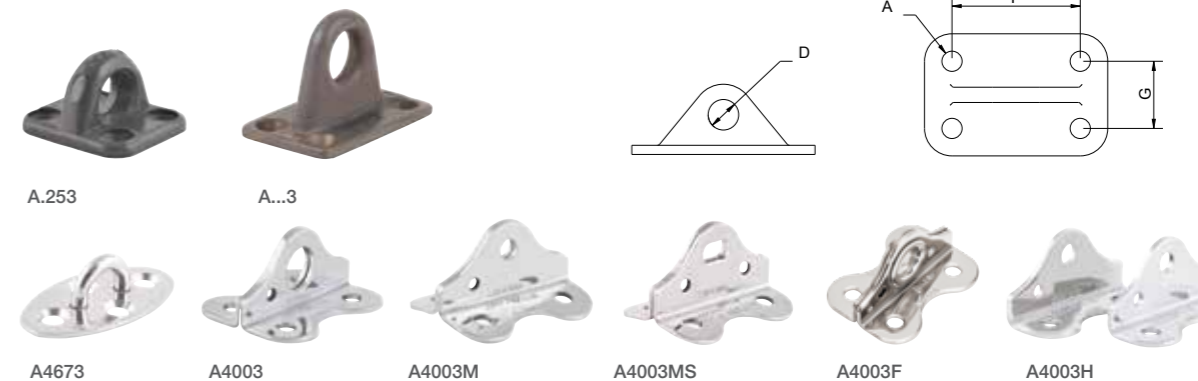
Made from 316 stainless steel, Allen U Bolt's are designed to withstand high loads without distortion. Supplied with top plate, backing plate and nuts.



| Part Number | Description | Rod Size mm | Fixing Hole Centres mm | Height mm | Thread Length mm | Weight g | Inside Diameter mm |
|-------------|---|-------------|------------------------|-----------|------------------|----------|--------------------|
| A4371 | U Bolt With Top & Bottom Backing Plate | 5 | 28 | 43 | 20 | 24 | 23 |
| A4371L | U Bolt With Top & Bottom Backing Plate | 5 | 28 | 51 | 20 | 29 | 23 |
| A4471 | U Bolt With Top & Bottom Backing Plate | 6 | 38 | 58 | 25 | 54 | 32 |
| A4571 | U Bolt With Top & Bottom Backing Plate | 8 | 51 | 75 | 25 | 115 | 43 |
| A4671 | U Bolt With Top Backing Plate | 6 | 38 | 77.5 | 39 | 53 | 32 |
| A4671XT | U Bolt With Nut & Washer | 6 | 38 | 120 | 96 | 91 | 32 |
| A4671XT-FT | U Bolt With Tang, Nut & Washer | 6 | 38 | 120 | 96 | 91 | 32 |
| A4871 | U Bolt With Heavy Duty Top & Bottom Backing Plate | 6 | 28 | 43 | 20 | 60 | 22 |
| A4871X | U Bolt With Heavy Duty Top & Bottom Backing Plate | 6 | 28 | 50 | 25 | 62 | 22 |
| A4512 | U Bolt With Lowers & Bottom Backing Plate | 6 | 28 | 80 | 25 | 100 | 22 |

Anchor Plates

Nylon, aluminium or stainless steel anchor plates.



| Part Number | Description | D Inside Diameter mm | A Fixing Hole Size mm | F&G Fixing Hole Centres mm | Weight g |
|-------------|--|----------------------|-----------------------|----------------------------|----------|
| A.253 | Nylon Anchor Plate | 6 | 3 | 18 x 13 | 4 |
| A...3 | Aluminium Anchor Plate | 12 | 5 | 34 x 16 | 19 |
| A4673 | Stainless Steel Looped Anchor Plate | 13 | 6.5 | 18 x 17 | 23 |
| A4003 | Stainless Steel Flat Anchor Plate | 11 | 5 | 27 x 16 | 24 |
| A4003M | Stainless Steel Radiused Anchor Plate | 5 | 5 | 27 x 16 | 24 |
| A4003MS | Stainless Steel Radiused Anchor Plate, Wide Hole | 13 x 6 | 5 | 29 x 16 | 24 |
| A4003F | Stainless Steel Flat Anchor Plate With Ferrule | 9 | 5 | 27 x 16 | 27.2 |
| A4003H | Stainless Steel Split Halves Anchor Plate | 5 | 5 | 27 x 16 | 24 |



Iago L.Marra - A-Class © Emilio Lavandeira

Lacing Eyes & Eye Straps A comprehensive range of pressed and forged stainless steel lacing eyes and eye straps.



| Part Number | Description | Height mm | Fixing Hole Size mm | Fixing Hole Centres mm | Weight g |
|-------------|---|-----------|---------------------|------------------------|----------|
| A4388 | Pressed Stainless Steel V Style Lacing Eye - Small | 8 | 4 | 27 | 1.5 |
| A4488 | Pressed Stainless Steel V Style Lacing Eye - Medium | 14 | 6 | 39 | 4 |



| Part Number | Description | Height mm | Fixing Hole Size mm | Fixing Hole Centres mm | Weight g |
|-------------|---|-----------|---------------------|------------------------|----------|
| A4288 | Pressed Stainless Steel Lacing Eye - Small | 8 | 3 | 22 | 1 |
| A4073 | Pressed Stainless Steel Lacing Eye - Medium | 12 | 5 | 34 | 4 |
| A4088 | Pressed Stainless Steel Lacing Eye - Large | 16 | 5 | 41 | 5 |
| A4088-6.5 | Pressed Stainless Steel Lacing Eye | 18.6 | 6.5 | 41 | 5 |
| A4588 | Pressed Stainless Steel Lacing Eye - XLarge | 32 | 6 | 53 | 12 |



| Part Number | Description | Height mm | Fixing Hole Size mm | Fixing Hole Centres mm | Weight g |
|-------------|--|-----------|---------------------|------------------------|----------|
| A4376 | Wide Pressed Stainless Steel Lacing Eye - Small | 8 | 5 | 28 | 3 |
| A4377 | Wide Pressed Stainless Steel Lacing Eye - Medium | 12 | 5 | 40 | 7 |
| A4276 | Wide Pressed Stainless Steel Lacing Eye - Large | 20 | 5 | 40 | 7 |



| Part Number | Description | Height mm | Fixing Hole Size mm | Fixing Hole Centres mm | Weight g |
|-------------|---|-----------|---------------------|------------------------|----------|
| A4038 | Pressed Clip Stainless Steel Lacing Eye | 6 | 3 | - | 1.7 |
| A4035 | Pressed Clip Stainless Steel Lacing Eye | 15 | 5 | - | 5 |
| A4035-6 | Pressed Clip Stainless Steel Lacing Eye | 15 | 6 | - | 6 |
| A4036 | Pressed Offset Lacing Eye | 11 | 5 | 15 | 4 |



| Part Number | Description | Height mm | Fixing Hole Size mm | Fixing Hole Centres mm | Weight g |
|-------------|---|-----------|---------------------|------------------------|----------|
| A5014 | Forged Stainless Steel Eye Strap - Small | 14 | 4 | 27 | 3.2 |
| A5015 | Forged Stainless Steel Eye Strap - Medium | 18 | 5 | 33 | 6.4 |
| A5016 | Pressed Stainless Steel Eye Strap - Large | 22 | 6 | 40 | 12 |



| Part Number | Description | Height mm | Fixing Hole Size mm | Fixing Hole Centres mm | Weight g |
|-------------|--|-----------|---------------------|------------------------|----------|
| A5014F | Forged Stainless Steel Eye Strap With Ferrule - Small | 8 | 4 | 27 | 3.6 |
| A5015F | Forged Stainless Steel Eye Strap With Ferrule - Medium | 10 | 5 | 33 | 8.2 |
| A5016F | Pressed Stainless Steel Eye Strap With Ferrule - Large | 14 | 6 | 40 | 15 |



| Part Number | Description | Height mm | Fixing Hole Size mm | Fixing Hole Centres mm | Weight g |
|-------------|---|-----------|---------------------|------------------------|----------|
| A6050 | Pressed Stainless Steel Lacing Eye - Small | 12 | 4.2 | 28 | 2 |
| A6051 | Pressed Stainless Steel Lacing Eye - Medium | 14 | 5 | 34 | 5 |
| A6052 | Pressed Stainless Steel Lacing Eye - Large | 19 | 5.3 | 44 | 11 |

Fairleads

Our fairleads come in a variety of styles (both stainless steel lined and unlined) to suit your rope leading needs. Suitable for dinghies and keelboats. Some are available in a variety of colours, please speak to our sales team to find out which colours are available for each product.



| Part Number | Description | Inside Diameter mm | Fixing Hole Size mm | Fixing Hole Centres mm | Weight g |
|-------------|-------------------|--------------------|---------------------|------------------------|----------|
| A..52 | Bullseye Fairlead | 7 | 4 | 15 | 3 |
| A.452 | Bullseye Fairlead | 11 | 4 | 18 | 4 |
| A.152 | Bullseye Fairlead | 14 | 5 | 25 | 8 |
| A.252 | Bullseye Fairlead | 19 | 5 | 34 | 28 |



| Part Number | Description | Inside Diameter mm | Fixing Hole Size mm | Fixing Hole Centres mm | Weight g |
|-------------|--|--------------------|---------------------|------------------------|----------|
| A4052 | Bullseye Fairlead With Stainless Steel Inner | 6 | 4 | 15 | 4 |
| A4452 | Bullseye Fairlead With Stainless Steel Inner | 10 | 4 | 18 | 6 |
| A4152 | Bullseye Fairlead With Stainless Steel Inner | 13 | 4 | 25 | 12 |
| A4252 | Bullseye Fairlead With Stainless Steel Inner | 20 | 5 | 34 | 32 |



| Part Number | Description | Inside Diameter mm | Fixing Hole Size mm | Fixing Hole Centres mm | Weight g |
|-------------|------------------------------|--------------------|---------------------|------------------------|----------|
| A.182 | Open Base Fairlead | 7 | 4 | 23 | 6 |
| A.282 | Open Base Fairlead | 9 | 5 | 23 | 6 |
| A.282A | Open Base Fairlead Aluminium | 9 | 5 | 23 | 13 |
| A.382 | Open Base Fairlead | 13 | 4 | 25 | 9 |



| Part Number | Description | Inside Diameter mm | Fixing Hole Size mm | Fixing Hole Centres mm | Weight g |
|-------------|---|--------------------|---------------------|------------------------|----------|
| A4182 | Open Base Fairlead With Stainless Steel Inner | 6 | 4 | 25 | 5 |
| A4282 | Open Base Fairlead With Stainless Steel Inner | 8 | 5 | 24 | 8 |
| A4382 | Open Base Fairlead With Stainless Steel Inner | 10 | 4 | 27 | 11 |



| Part Number | Description | Inside Diameter mm | Fixing Hole Size mm | Fixing Hole Centres mm | Weight g |
|-------------|---|--------------------|---------------------|------------------------|----------|
| A.153 | Low Profile Fairlead | 7 | 3 | 20 | 3 |
| A4153 | Low Profile Fairlead With Stainless Steel Inner | 6 | 3 | 20 | 4 |
| A.134 | Acetal Fairlead (Laser® Bow) | 30 | 5 | 50 | 29 |
| A.134RB-CAN | Acetal Fairlead (Laser® Bow) | 30 | 5 | 50 | 29 |



| Part Number | Description | Inside Diameter mm | Fixing Hole Size mm | Fixing Hole Centres mm | Weight g |
|-------------|-----------------------------|---|---------------------|------------------------|----------|
| A5052-4 | Keelboat Fairlead | 24 X 12 | 4 | 25.6 | 14 |
| A5052-6 | Keelboat Fairlead | 36 X 18 | 6 | 38.4 | 39 |
| A5052-8 | Keelboat Fairlead | 48 X 24 | 8 | 51.2 | 104 |
| A5052-10 | Keelboat Fairlead | 60 X 30 | 10 | 64 | 189 |
| A5052-12 | Keelboat Fairlead | 72 X 36 | 12 | 76.8 | 307 |
| A5053-4 | Keelboat Jib Sheet Fairlead | Oblong Hole - 12 X 24 - Round Hole - 12 | 4 | 27.2 | 23 |
| A5053-6 | Keelboat Jib Sheet Fairlead | Oblong Hole - 36 X 18 - Round Hole - 18 | 6 | 40.8 | 64 |
| A5053-8 | Keelboat Jib Sheet Fairlead | Oblong Hole - 48 X 24 - Round Hole - 24 | 8 | 54.4 | 170 |



| Part Number | Description | Inside Diameter mm | Fixing Hole Size mm | Fixing Hole Centres mm | Weight g |
|-------------|--------------------------|--------------------|---------------------|------------------------|----------|
| A5054-6 | Keelboat Sheet Deflector | 10 | 6 | 22.5 | 14 |
| A5054-8 | Keelboat Sheet Deflector | 13.3 | 8 | 30 | 31 |
| A5054-10 | Keelboat Sheet Deflector | 16.7 | 10 | 37.5 | 55 |
| A5054-12 | Keelboat Sheet Deflector | 20 | 12 | 45 | 82 |
| A5054-16 | Keelboat Sheet Deflector | 26.7 | 16 | 60 | 206 |

Self Bailer

Our original self-bailer, A4155, is the lightest self-bailer on the market and drains exceptionally well even at low speeds. Our high performance self-bailer, A4555, gains advantage from it's delta design that increases drainage flow while reducing drag and turbulence.



A.155 A4155 A4155KIT A4255 A4555



A4555KIT

| Part Number | Description | Weight g |
|-------------|--|----------|
| A.155 | Self Bailer With No Gaurd | 77 |
| A4155 | Self Bailer With Stainless Steel Guard | 81 |
| A4155KIT | Spares For Bailer A4155 | - |
| A4255 | Self Bailer Gaurd | 35.7 |
| A4555 | Advanced 'Delta' Self Bailer | 182 |
| A4555KIT | Spares For Bailer A4555 | - |

Drain Sockets & Bungs

We manufacture a variety of bungs and sockets that are ideal for draining water from the inside of dinghy hulls and other buoyancy compartments. Available in both captive and non captive forms.



52802 A.123 A.223 A.323 A.323W



A.423 A.424 A1231 A1232

| Part Number | Description | Fixing Hole Size mm | Fixing Hole Centres mm | Outside Diameter mm | Inside Diameter mm | Weight g | Material |
|-------------|--|---------------------|------------------------|---------------------|--------------------|----------|------------------|
| 52802 | Plastic Bung No Socket | - | - | - | - | 4- | Nylon |
| A.123 | Drain Socket | 3 | 28 | 19 | 17 | 3 | Nylon |
| A.223 | Drain Socket With Captive Bung | 3 | 30 x 30 x 30 | 26 | - | 7 | Nylon |
| A.323 | Drain Socket With Captive Screw Bung | 3 | 38 | 24 | - | 11 | Nylon |
| A.323W | White Drain Socket With Captive Screw Bung | 3 | 38 | 24 | - | 11 | Nylon |
| A.423 | Drain Socket With Removable Screw Bung | 4 | 36 | 22 | 17 | 22 | Nylon |
| A.424 | Screw Bung | - | - | 16 | - | 7.1 | Nylon |
| A1231 | Bung | - | - | 23 Min | - | 15 | TPU Polyurethane |
| A1232 | Rubber Bung To Fit A.123 | - | - | 15 Min | - | 8 | Rubber |

Self Tapping Nuts

Self tapping nylon nuts commonly used with wood screws are an alternative option to bolt and nuts.



| Part Number | Description | Length mm | Height mm | Bore g |
|-------------|------------------------------|-----------|-----------|--------|
| A.129 | Small Self Tapping Wing Nut | 29 | 7 | 3 |
| A.229 | Medium Self Tapping Wing Nut | 36 | 12 | 3.8 |
| A.329 | Self Tapping Square Nut | 17 | 12.5 | 3.9 |

Deck Bushes

Deck Bushes come in a variety of different styles to suit your rope leading needs. Available in nylon, stainless steel lined nylon and anodised aluminium. SS = Stainless Steel



| Part Number | Description | Inside Diameter mm | Outside Diameter mm | Fixing Hole Size mm | Column Depth mm | Fixing Hole Centres mm | Weight g |
|-------------|-------------------------------|--------------------|---------------------|---------------------|-----------------|------------------------|----------|
| A..39 | Through Deck Bush With Flange | 9 | 19 | 3 | 9 | 28 | 3 |
| A.239 | Through Deck Bush With Flange | 12 | 22 | 3 | 9 | 31 | 4 |
| A.339 | Through Deck Bush With Flange | 15 | 25 | 3 | 9 | 36 | 5 |
| A.139 | Through Deck Bush With Flange | 20 | 33 | 3 | 9 | 44 | 7 |



| Part Number | Description | Inside Diameter mm | Outside Diameter mm | Fixing Hole Size mm | Column Depth mm | Fixing Hole Centres mm | Weight g |
|-------------|--|--------------------|---------------------|---------------------|-----------------|------------------------|----------|
| A4039 | Through Deck Bush With Flange And SS Inner | 6 | 19 | 3 | 9 | 28 | 5 |
| A4239 | Through Deck Bush With Flange And SS Inner | 11 | 22 | 3 | 9 | 31 | 9 |
| A4339 | Through Deck Bush With Flange And SS Inner | 13 | 25 | 3 | 9 | 36 | 12 |
| A4139 | Through Deck Bush With Flange And SS Inner | 20 | 33 | 3 | 9 | 45 | 12 |



| Part Number | Description | Inside Diameter mm | Outside Diameter mm | Column Depth mm | Weight g |
|-------------|--|--------------------|---------------------|-----------------|----------|
| A.439 | Through Deck Bush | 8 | 13 | 8 | 0.5 |
| A.439-14 | Through Deck Bush | 8 | 13 | 14 | 2 |
| A.539 | Through Deck Bush | 13 | 16 | 8 | 2 |
| A.539-14 | Through Deck Bush | 13 | 16 | 14 | 2 |
| A4439 | Through Deck Bush With Stainless Steel Inner | 6 | 13 | 8 | 3 |
| A4439-14 | Through Deck Bush With Stainless Steel Inner | 6 | 13 | 14 | 3.5 |
| A4539 | Through Deck Bush With Stainless Steel Inner | 13 | 16 | 8 | 4 |
| A4539-14 | Through Deck Bush With Stainless Steel Inner | 13 | 16 | 14 | 5.7 |
| A..40 | Stainless Steel Fairlead | 11 x 35 | 14 x 37 | 18 | 12 |
| A..40-12 | Stainless Steel Fairlead | 11 x 35 | 14 x 37 | 9 | 7 |
| A8040-34 | Aluminium Rope Guide | 8 x 34 | 11 x 38 | 6 | 10 |
| A8040-56 | Aluminium Rope Guide | 16 x 56 | 20 x 60 | 7 | 13 |

Add a little **colour** to your ride

Aluminium Deck Bushes

The aluminium range comes in both threaded and non-threaded versions. The threaded through deck bush allows for a perfect fit to your deck and stops rope wear both top and bottom. Aluminium through deck bushes are available in a choice of 6 colours, allowing you to add a personalised touch.



| Part Number | Description | Inside Diameter mm | Outside Diameter mm | Structure Depth mm | Weight g |
|-------------|--------------------------------------|--------------------|---------------------|--------------------|----------|
| A.439A | Aluminium Through Deck Bush | 8 | 13 | 8 | 3 |
| A.539A | Aluminium Through Deck Bush | 13 | 16 | 8 | 4 |
| A8439-7 | Aluminium Threaded Through Deck Bush | 8 | 13 | 7 Min - 9 Max | 3.7 |
| A8539-7 | Aluminium Threaded Through Deck Bush | 12 | 16 | 7 Min - 9 Max | 6 |
| A8439-9 | Aluminium Threaded Through Deck Bush | 8 | 13 | 9 Min - 14 Max | 5 |
| A8539-9 | Aluminium Threaded Through Deck Bush | 12 | 16 | 9 Min - 14 Max | 6 |
| A8439-13 | Aluminium Threaded Through Deck Bush | 8 | 13 | 13 Min - 18 Max | 5 |
| A8539-13 | Aluminium Threaded Through Deck Bush | 12 | 16 | 13 Min - 18 Max | 7 |
| A8439-17 | Aluminium Threaded Through Deck Bush | 8 | 13 | 17 Min - 22 Max | 6 |
| A8539-17 | Aluminium Threaded Through Deck Bush | 12 | 16 | 17 Min - 22 Max | 8 |
| A8439-21 | Aluminium Threaded Through Deck Bush | 8 | 13 | 21 Min - 26 Max | 7 |
| A8539-21 | Aluminium Threaded Through Deck Bush | 12 | 16 | 21 Min - 26 Max | 8.5 |
| A8439-25 | Aluminium Threaded Through Deck Bush | 8 | 13 | 25 Min - 30 Max | 7.5 |
| A8539-25 | Aluminium Threaded Through Deck Bush | 12 | 16 | 25 Min - 30 Max | 9.5 |
| A8439-29 | Aluminium Threaded Through Deck Bush | 8 | 13 | 29 Min - 34 Max | 8.5 |
| A8539-29 | Aluminium Threaded Through Deck Bush | 12 | 16 | 29 Min - 34 Max | 10.5 |

Pad-Tii

Our range of aluminium through deck bushes and threaded through deck bushes have been well received by the industry so we have decided to continue with the development.

The logical product progression being fixing tie on blocks to the deck or bulkhead. There are a number of companies producing products that provide this, so we decided to think a little more laterally and have come up with a range of Pad-Tii that have some additional design features.

A number of current products require the integral pad and associated tie on rope to be permanently bonded to a surface, which doesn't readily allow replacement of worn rope.

We have incorporated an ingenious removable attachment pin to allow the user to replace the tii on rope as it wears. Simply unscrew the upper insert, push down on the tii on rope and remove the stainless steel crossbar. Install your replacement tii on rope by pushing through the hole in the centre of the upper insert, slide the pin into place retaining the tii on rope and screw the upper insert back into the deck.

The lower insert is enclosed ensuring the design is watertight, the two parts can easily be tightened with a set of circlip pliers. Colours available - Blue and Black.

* Other colours are available upon request but will result in a longer lead time.



| Part Number | Description | Fixing Hole Centres mm | Fixing Hole Depth Maximum mm | Fixing Hole Depth Minimum mm | Fixing Hole Diameter mm | Outside Diameter mm | Breaking Load kg | Maximum Working Load kg | Weight g |
|-------------|----------------------------|------------------------|------------------------------|------------------------------|-------------------------|---------------------|------------------|-------------------------|----------|
| A8639-6 | Pad-Tii | 13 | 8 | 6 | 12.8 | 19 | 350 | 250 | 21 |
| A8639-8 | Pad-Tii | 13 | 10 | 8 | 12.8 | 19 | 350 | 250 | 21 |
| A8639-10 | Pad-Tii | 13 | 12 | 10 | 12.8 | 19 | 350 | 250 | 21 |
| A8739-6 | Pad-Tii | 17 | 8 | 6 | 16 | 24 | 400 | 300 | 7 |
| A8739-8 | Pad-Tii | 17 | 10 | 8 | 16 | 24 | 400 | 300 | 7 |
| A8739-10 | Pad-Tii | 17 | 12 | 10 | 16 | 24 | 400 | 300 | 7 |
| A8739-18 | Pad-Tii | 17 | 20 | 18 | 16 | 24 | 400 | 300 | 10 |
| A8839 | Pad-Tii With Fixed Tii Bar | 13 | 10 | 4.5 | 12.8 | 19 | 350 | 250 | 8 |
| A8939 | Pad-Tii With Fixed Tii Bar | 17 | 10 | 4.5 | 16 | 24 | 575 | 350 | 10 |

Spars and Rigging Accessories

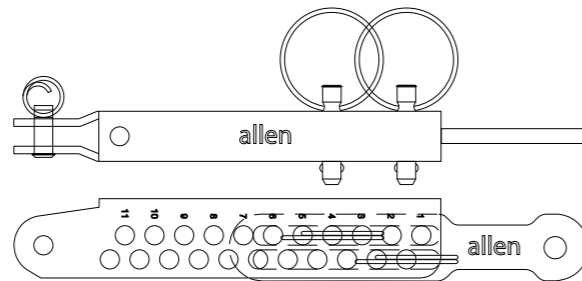


Megan Pascoe - 2.4MR

Stay & Vernier Adjusters

Allen Vernier Adjusters are made from high quality stainless steel to ensure they are lightweight yet hard wearing. Available in a variety of designs to allow for fine-tune rig adjustment.

Also available as de-raker kits with pressed calibration marks, fast pins and captive de-raker plates. Allowing maximum customisation even when you're on the water.



| Part Number | Description | Pin Diameter mm | Adjustment Range mm | Increments mm | Internal Width mm | Weight g |
|-------------|-----------------------------|-----------------|---------------------|---------------|-------------------|----------|
| A4024 | Channel Stay Adjuster | 5 | 87 | 9 | 13 | 59 |
| A4172 | Stay Adjuster | 5 | 52 | 9 | 8 | 46 |
| A4372 | Stay Adjuster | 5 | 60 | 9 | 8 | 23 |
| A4472 | Stay Adjuster | 5 | 69 | 9 | 8 | 39 |
| A4572 | Stay Adjuster | 6 | 76 | 13 | 10 | 86 |
| A4872 | Stay Adjuster | 6 | 76 | 13 | 9 | 100 |
| A4972 | Open Front Vernier Adjuster | 5 | 64 | 4 | 8 | 38 |



A4272-148 A4272S A4772 A4772DR-KIT A4772HT A4272



A4772S A4772S-6 A4772SDR-KIT A4772DR

| Part Number | Description | Pin Diameter mm | Adjustment Range mm | Increments mm | Internal Width mm | Weight g |
|--------------|---|-----------------|---------------------|---------------|-------------------|----------|
| A4272-148 | Vernier Adjuster With Lacing Hook | 5 | 64 | 3 | 9 | 46 |
| A4272S | Short Vernier Adjuster | 5 | 32 | 4 | 9 | 25 |
| A4772 | Heavy Duty Vernier Adjuster | 5 | 84 | 4 | 9.5 | 71 |
| A4772DR-KIT | Heavy Duty Vernier Adjuster With De Raker Plate | 5 | 84 + 43dr | 4 | 9.5 | 78 |
| A4772HT | High Tension Vernier Adjuster | 6 | 80 | 5 | 10 | 64 |
| A4272 | Vernier Adjuster | 5 | 64 | 3 | 9 | 41 |
| A4772S | Short Heavy Duty Vernier Adjuster | 5 | 32 | 4 | 9.5 | 41 |
| A4772S-6 | Short Heavy Duty Vernier Adjuster | 6 | 32 | 4 | 10.5 | 40 |
| A4772SDR-KIT | Short Heavy Duty Vernier Adjuster With De Raker | 5 | 32 + 43dr | 4 | 9.5 | 40 |
| A4772DR | De-Raker Plate | - | 43 | - | - | 31 |

Fast Pins & Reaching Hooks

Made from 316 stainless steel and designed for use with our vernier adjusters.



| Part Number | Description | Diameter mm | Usable Length mm | Overall Length mm | Suitable For | Weight g |
|-------------|---------------|-------------|------------------|-------------------|-------------------|----------|
| A5005 | Fast Pin | 5 | 12.5 | 26.5 | A4272 | 6.3 |
| A5006 | Fast Pin | 6 | 15 | 29 | A4772HT | 8.4 |
| A5105L | Reaching Hook | 5 | 13 | 16 | A4272 | 12 |
| A5105S | Reaching Hook | 5 | 9 | 12 | A4772 | 11 |
| A5106L | Reaching Hook | 6 | 16 | 29 | A4772S-6/ A4772HT | 12.5 |
| A5106S | Reaching Hook | 6 | 12 | 25 | A4772HT | 12 |

Clevis Pins & Split Rings

| Part Number | Description | Diameter mm | Length mm |
|-------------|-------------------|-------------|-----------|
| AFPP266 | Small Split Ring | 11 | - |
| AFPP266B | Medium Split Ring | 15 | - |
| AFPP266C | Large Split Ring | 18 | - |
| AFCP59 | Clevis Pin | 5 | 9 |
| AFCP512 | Clevis Pin | 5 | 12 |
| AFCP515 | Clevis Pin | 5 | 15 |
| AFCP518 | Clevis Pin | 5 | 18 |
| AFCP521 | Clevis Pin | 5 | 21 |
| AFCP525 | Clevis Pin | 5 | 25 |
| AFCP621 | Clevis Pin | 6 | 21 |
| F630L | Drop Nose Pin | 5 | 23 |

Dynamic Rig Adjustment

The Allen dynamic rig adjustment kit has been developed to suit multiple applications and boats. Examples of applications include the Fireball horizontal mast strut, the 505 vertical mast strut and Graduate GNAV system.

In all cases we provide a complete kit.



A3210

A3211

A3212



A4592



A4592E

| Part Number | Description | Tube Length mm | Track Length mm |
|-------------|-----------------------------|----------------|-----------------|
| A3210 | Vertical Mast Ram Kit | 700 | 250 |
| A3211 | Horizontal Mast Ram Kit | 700 | 500 |
| A3212 | Gnav System | 700 | 300 |
| A4592 | Mast Ram | 250 | - |
| A4592E | Tube End Fittings For A4592 | - | - |

Highfield Levers

A range of high quality formed 316 stainless steel ratchet and non-ratchet highfield levers for rapid and repeatable rig tensioning.



A4160

A4260

A4260-1

A4260-2

| Part Number | Description | Throw mm | Adjustment mm | Backing Plate Thickness mm | Backing Plate Width mm | Backing Plate Length mm | Number Of Adjustments | Weight g |
|-------------|---|----------|---------------|----------------------------|------------------------|-------------------------|-----------------------|----------|
| A4160 | Highfield Lever | 70 | - | 1.5 | 16 | 50 | 1 | 100 |
| A4260 | Ratchet 3 Fixings Flat Backing Plate | 75 | 63 | 1.5 | 13 | 95 | 6 | 193 |
| A4260-1 | Ratchet 3 Fixings Clipped Backing Plate | 75 | 63 | 5 | 13 | 101 | 6 | 111 |
| A4260-2 | Ratchet 4 Fixings Flat Backing Plate | 75 | 63 | 1.5 | 13 | 95 | 6 | 102 |

Furling Gear & Swivels

A variety of roller furling gear and swivels to use with your jib or headsail. All designed to be furled and unfurled under load.



| Part Number | Description | Fixing Hole Diameter mm | Pin Diameter mm | Fork Width mm | Length mm | Height mm | Weight g | Maximum Working Load Kg |
|-------------|---------------------------------------|-------------------------|-----------------|---------------|-----------|-----------|----------|-------------------------|
| A4102 | Stainless Steel Top Furler | - | 5 | 12 / 9 | 49 | - | 23 | 200 |
| A4222 | Stainless Steel Universal Swivel Base | 4 | 4 | - | - | 30 | 28 | 300 |
| A4302 | High Load Top Furler | - | 6 | 8 | 63.25 | 82.75 | 41 | 430 |
| A4202 | Swivel Connector | - | 5 | 11 | 34 | 47.50 | 38 | 400 |
| A4905 | High Load Drum Furler | - | 5 | 8 | 68 | 88 | 112 | 430 |
| A4904 | Furling Unit | - | 5 | - | - | 73.2 | 212 | 400 |
| A4904LZ | Integral Bow Bar Furling Unit | 5 | 5 | 11 | 235 | 90 | 65 | 330 |

Gooseneck Sleeves Nylon Gooseneck Sleeve to fit inside carbon or aluminium tubes to prevent wear.



| Part Number | Description | Inside Diameter mm | Outside Diameter mm | Length mm | Weight g |
|-------------|------------------|--------------------|---------------------|-----------|----------|
| A.471 | Gooseneck Sleeve | 19 | 29 | 38 | 16 |
| A.471TOP | Gooseneck Sleeve | 28 | 34 | 39 | 22 |

Goosenecks

A range of high quality 316 stainless steel and pressure die cast aluminium fixed and sliding goosenecks.



| Part Number | Description | Fixing Hole Diameter mm | Pin Diameter mm | To Suit Mast Diameter mm | Groove Width mm | Backing Plate Width mm | Backing Plate Thickness mm | Weight g |
|-------------|---|-------------------------|-----------------|--------------------------|-----------------|------------------------|----------------------------|----------|
| A4009C | Stainless Steel Gooseneck With Radiused Strap | 4 | 12 | 50 - 55 | - | - | - | 78 |
| A4009LZ | Stainless Steel Gooseneck With Radiused Strap | 4 | 12 | 55 | - | - | - | 78 |
| A4009LZ-10 | Stainless Steel Gooseneck With Radiused Strap | 4 | 10 | 55 | - | - | - | 78 |
| A4009K | Stainless Steel Gooseneck With V Strap | 4 | 12 | 50 | - | - | - | 78 |
| A4009K-10 | Stainless Steel Gooseneck With V Strap | 4 | 10 | 50 | - | - | - | 78 |
| A4114-1 | Aluminium Sliding Gooseneck | - | 12 | - | 7 | 11 | 10 | 101 |
| A4114-2 | Aluminium Sliding Gooseneck | - | 12 | - | 9 | 16 | 4 | 94 |
| A4114-3 | Aluminium Sliding Gooseneck | - | 12 | - | 8 | 16 | 6 | 104 |
| ASP4109 | Laser/LCA Gooseneck | 5 | 12 | - | - | 45 | 2 | - |
| A.120 | Spare Gooseneck Nut | - | - | - | - | - | - | 5 |

Sheave Boxes

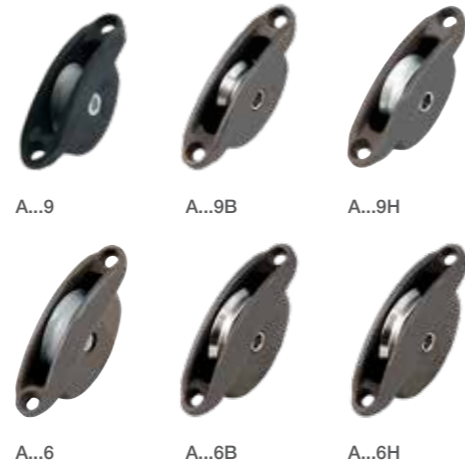
Allen Sheave Boxes are available with a plain bearing or ball bearing sheave. We also have the following choice of sheave material to suit your application: Acetal Resin, Stainless Steel and Alloy.

Sheave boxes are suitable for all types of halyard systems, control line systems and general running rigging.

The low profile range of sheave boxes feature our unique hook-in cage; designed to deal with the high loads of modern rigs.

* Working and breaking loads are very dependent on the fixing of the sheave box.

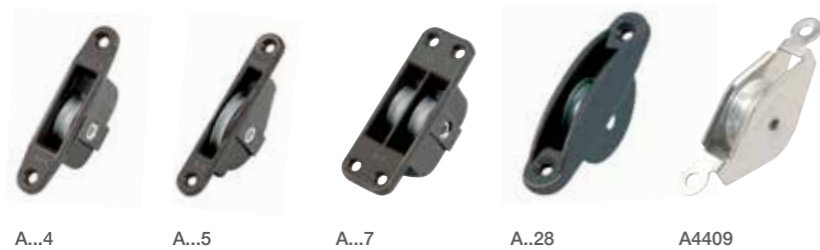
* When using an aluminium sheave box with carbon rigging or decking insure it should be isolated with a suitable product to reduce electrolytic action.



| Part Number | Description | Sheave Width mm | Sheave Diameter mm | Sheave Material | Slot Size mm | Weight g | Fixing Hole Centres mm | Fixing Hole Diameter mm | MWL Kg | Breaking Load Kg |
|-------------|--------------------------------------|-----------------|--------------------|-----------------|--------------|----------|------------------------|-------------------------|--------|------------------|
| A...9 | Aluminium Sheave Box - Plain Bearing | 8 | 25 | Acetal | 44 x 13 | 21 | 57 | 4 | 300 | 670 |
| A...9B | Aluminium Sheave Box - Ball Bearing | 8 | 25 | Stainless Steel | 44 x 13 | 38 | 57 | 4 | 300 | 750 |
| A...9H | Aluminium Sheave Box - Plain Bearing | 8 | 25 | Alloy | 44 x 13 | 31 | 57 | 4 | 300 | 670 |
| A...6 | Aluminium Sheave Box - Plain Bearing | 8 | 38 | Acetal | 52 x 15 | 34 | 65 | 4 | 400 | 800 |
| A...6B | Aluminium Sheave Box - Ball Bearing | 8 | 38 | Stainless Steel | 52 x 15 | 79 | 65 | 4 | 300 | 750 |
| A...6H | Aluminium Sheave Box - Plain Bearing | 8 | 38 | Alloy | 52 x 15 | 48 | 65 | 4 | 400 | 800 |



| Part Number | Description | Sheave Width mm | Sheave Diameter mm | Sheave Material | Slot Size mm | Weight g | Fixing Hole Centres mm | Fixing Hole Diameter mm | MWL Kg | Breaking Load Kg |
|-------------|--|-----------------|--------------------|-----------------|--------------|----------|------------------------|-------------------------|--------|------------------|
| A...8 | Nylon Sheave Box - Plain Bearing | 12 | 38 | Acetal | 70 x 22 | 41 | 80 | 4 | 300 | 700 |
| A...8A | Nylon Sheave Box - Plain Bearing | 12 | 38 | Alloy | 70 x 22 | 65 | 80 | 4 | 350 | 700 |
| A...15 | Low Profile Aluminium Sheave Box - Plain Bearing | 6 | 25 | Acetal | 38 x 10 | 12 | - | 4 | 300 | 750 |
| A...15B | Low Profile Aluminium Sheave Box - Ball Bearing | 6 | 25 | Stainless Steel | 38 x 10 | 24 | - | 4 | 300 | 750 |
| A...16 | Low Profile Aluminium Sheave Box - Plain Bearing | 6 | 38 | Acetal | 58 x 13 | 36 | - | 5 | 400 | 900 |
| A...16B | Low Profile Aluminium Sheave Box - Ball Bearing | 6 | 38 | Stainless Steel | 58 x 13 | 68 | - | 5 | 450 | 900 |



| Part Number | Description | Sheave Width mm | Sheave Diameter mm | Sheave Material | Slot Size mm | Weight g | Fixing Hole Centres mm | Fixing Hole Diameter mm | MWL Kg | Breaking Load Kg |
|-------------|---|-----------------|--------------------|-----------------|--------------|----------|------------------------|-------------------------|--------|------------------|
| A...4 | Aluminium Sheave Box - Plain Bearing | 8 | 26 | Acetal | 43 x 17 | 26 | 65 | 4 | 500 | 1000 |
| A...5 | Aluminium Sheave Box - Plain Bearing | 6 | 36 | Acetal | 50 x 14 | 33 | 70 | 4 | 250 | 400 |
| A...7 | Aluminium Double Sheave Box - Plain Bearing | 8 | 26 | Acetal | 42 x 27 | 48 | 65 | 4 | 250 | 500 |
| A...28 | Aluminium Sheave Box - Plain Bearing | 12 | 38 | Acetal | 70 x 22 | 100 | 87 | 6 | 350 | 700 |
| A4409 | Stainless Steel Sheave Box - Plain Bearing | 12 | 38 | Stainless Steel | 77 x 19 | 98 | 90 | 6 | 300 | 600 |

Mast Head Sheave Boxes

High quality in house injection moulded nylon 6 mast head crane and sheave box with optional insert moulding to fit larger diameter.



| Part Number | Description | Sheave Width mm | Sheave Diameter mm | Sheave Material | Fixing Hole Diameter mm | Weight g |
|-------------|----------------------|-----------------|--------------------|-----------------|-------------------------|----------|
| A..94 | Mast Head Sheave Box | 6 | 36 | Acetal | To Fit 20mm Tube | 40 |
| SA..94 | Adaptor For A..94 | - | - | - | To Fit 35mm Tube | 22 |

Mast Gates & Step



| Part Number | Description | Length mm | Width mm | Thickness mm | Fixing Hole Centres mm | Slot / Tenon mm | Weight g |
|-------------|--|-----------|----------|--------------|------------------------|-----------------|----------|
| A.480 | Optimist Deck Ring | 85 | 75 | 3 | 54 | - | 21.5 |
| A.490 | Optimist Mast Ring | - | 45 | 3 | - | - | 8 |
| A4107 | Mast Gate Bar | 138 | 22 | 2 | 114 | - | 45 |
| A4107S | Mast Gate Bar | 112 | 22 | 2 | 89 | - | 37 |
| A4124 | Adjustable Mast Step | 150 | 23 | 2 | 129 | 19 | 94 |
| A9100 | Pivoting Mast Step | 90 | 45 | - | - | - | 173 |
| A9150 | Pivoting Mast Heel For Selden Mast | 77 | 37 | - | - | - | 21 |
| A9151 | Pivoting Mast Heel For Paragon Mast | 77 | 41 | - | - | - | 21 |
| A9152 | Pivoting Mast Heel For Super Spars Mast | 78 | 46 | - | - | - | 21 |
| A9153 | Pivoting Mast Heel Adapter For Cumulus Mast Profile 32 | 87 | 87 | - | - | - | 87 |

Mast Tangs

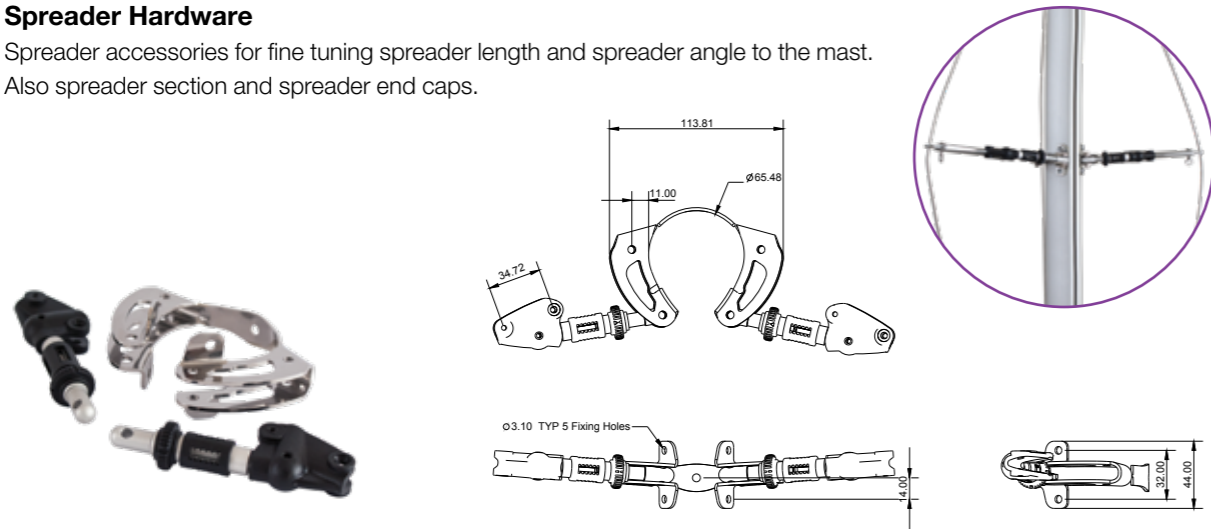
A range of 316 stainless steel rigging tangs for externally mounted shrouds and other take-off points.



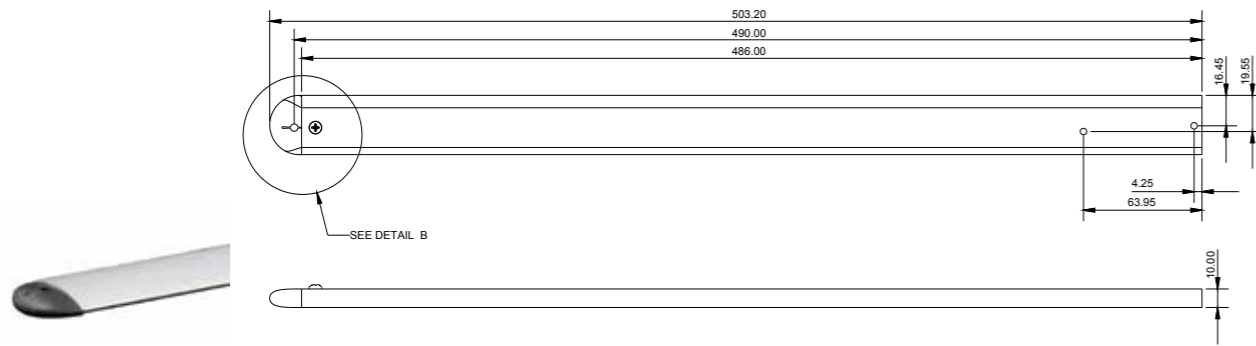
| Part Number | Description | Length mm | Width mm | Fixing Hole Centres mm | Fixing Hole Centres mm |
|-------------|-------------|-----------|----------|------------------------|------------------------|
| A4041 | Mast Tang | 77 | 16 | 5 | 11 |
| A4141 | Mast Tang | 104 | 22 | 5 - 6 | 19 - 26 |
| A4141-5 | Mast Tang | 104 | 22 | 5 | 10 - 25 |
| A4241 | Mast Tang | 52 | 16 | 5 | - |

Spreader Hardware

Spreader accessories for fine tuning spreader length and spreader angle to the mast. Also spreader section and spreader end caps.

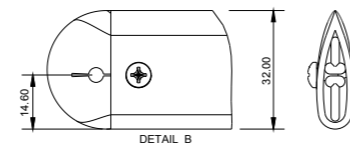


| Part Number | Description | Length mm | Thickness mm | Width mm | Weight g |
|-------------|--|-----------|--------------|----------|----------|
| A4527 | Spreader Bracket With Adjustable Barrels | - | - | - | 117 |



A.791
A.791SA

| Part Number | Description | Length mm | Thickness mm | Width mm | Weight g |
|-------------|---|-----------|--------------|----------|----------|
| A.791 | Red Aerofoil Spreader Including End Caps | 486 | 10 | 32 | 22 |
| A.791-470SA | Aerofoil Spreader | 459 | 10 | 32 | 19 |
| A.791SA | Silver Aerofoil Spreader Including End Caps | 486 | 10 | 32 | 22 |



A.147 A.625 A4791

| Part Number | Description | Length mm | Thickness mm | Width mm | Weight g |
|-------------|--------------------------------|-----------|--------------|----------|----------|
| A.147 | Mast Swing Spreader Root | 32 | - | 42 | 7 |
| A.625 | Spreader End Caps To Fit A.791 | 37 | 5.5 | 22 | 2.1 |
| A4791 | Spreader Angle Adjuster | - | - | - | 41 |

Mast Brackets & Boom Straps

Our range of 316 stainless steel mast and boom straps are available in a variety of designs to suit wooden, carbon and aluminium spar's.



| Part Number | Description | Fixing Hole Diameter mm | Spar Size mm | Pin/Head Diameter mm | Strap Thickness mm | Weight g |
|-------------|--------------------------|-------------------------|--------------|----------------------|--------------------|----------|
| A4413 | Kicking Strap Bracket | 5 | 50 - 80 | - | 1.5 | 38 |
| SA.312 | Kicking Strap Key | 5.5 | 6 - 13 | - | - | - |
| SA.873 | Kicking Strap Key Curved | 5.5 | 6 - 13 | - | - | - |
| A4002 | Kicking Strap Key | 5.5 | - | 8mm /13mm | 1.5 | - |



| Part Number | Description | Fixing Hole Diameter mm | Spar Size mm | Strap Thickness mm | Weight g |
|-------------|------------------------|-------------------------|--------------------|--------------------|----------|
| A4016 | Boom Strap | 5 | 38 | 1.5 | 15 |
| A4116 | Boom Strap | 5 | 32 | 1.5 | 16 |
| A4216 | Boom Strap | 5 | Forms to any shape | 1.5 | 15 |
| A4417 | Boom Strap | 5 | 45 | 2 | 29 |
| A4599-S | Mast Bracket For Lower | 5 | 60 | 2 | 64.8 |
| A4032 | Gaff Band | 5 | 44 x 44 | 1.5 | 16 |
| A4042 | Hound Fitting | 5 | 50 - 80 | 1.5 | 22 |
| A4142-6.5 | Mast Kicker Bracket | 5 | 50 - 80 | 1.5 | 22 |
| A4203 | Mast Anchor Plate | 5 | 50 - 80 | 1.5 | 15 |
| A4203R | Mast Anchor Plate | 5 | 50 - 80 | 1.5 | 16 |
| A4416 | Bail Bracket | 5 | 45 | 1.5 | 16 |
| A4192 | Kicking Strap Lever | 5 | - | - | 132 |



| Part Number | Description | Fixing Hole Diameter mm | Eye Inside Diameter mm | Spar Size mm | Length mm | Maximum Rope Size mm | Weight g |
|-------------|--|-------------------------|------------------------|--------------|-----------|----------------------|----------|
| A.932 | Pole Launcher | - | - | 50 | - | - | - |
| A.132 | Spinnaker Pole Mast Bracket Single Eye - Nylon | 4 | 12 | 35 | 38 | 8 | 12 |
| A.232 | Spinnaker Pole Mast Bracket Double Eye - Nylon | 4 | 12 | 50 | 45 | 12 | 37 |
| A4232 | Spinnaker Pole Mast Bracket Double Eye - Stainless | 5 | 15 | 50-80 | 36 | 61 | 61 |
| A4332 | Spinnaker Pole Mast Bracket Single Eye - Stainless | 5 | 25 | 50 | 50 | 37 | 280 |

Halyard Exit Plates

Made from durable 316 stainless steel, these products are designed to stop wear on a mast wall from exiting halyards.



| Part Number | Description | Fixing Hole Diameter mm | Fixing Hole Centres mm | Exit Slot Length mm | Exit Slot Width mm | Overall Length mm | Overall Width mm |
|-------------|---------------------------|-------------------------|------------------------|---------------------|--------------------|-------------------|------------------|
| A4383 | Halyard Exit Plate Small | 5 | 99 | 55 | 12 | 116 | 22 |
| A4385 | Halyard Exit Plate Medium | 5 | 149 | 100 | 18 | 178 | 29 |

Halyard Hook Racks

Made from pressure die cast aluminium or 316 stainless steel, these are a very popular solution for consistent cleating of a main halyard on the mast.



| Part Number | Description | Fixing Hole Diameter mm | Increments mm | Number Of Adjustments | Length mm | Maximum Wire Diameter mm | Weight g |
|-------------|--------------|-------------------------|---------------|-----------------------|-----------|--------------------------|----------|
| A.245 | Hook Rack | 4 | 12.5 | 10 | 126 | 5 | 31 |
| A.345 | Hook Rack | 4 | 12.5 | 5 | 85 | 5 | 15 |
| A4245 | Halyard Lock | 5 | - | - | 58 | 2-3 | 9 |

Muscle Box

The classic 8:1 muscle box enclosed purchase system.



| Part Number | Description | Length mm | Line Diameter mm | Travel mm | Fixing Hole Diameter mm | MWL kg | Weight g | Sheave Diameter mm |
|-------------|-------------|-----------|------------------|-----------|-------------------------|--------|----------|--------------------|
| A4233 | Muscle Box | 307 | 3 | 147 | 5 | 400 | 254 | 23 |

Mast & Tube Plugs

A range of high quality injection moulded nylon 6 caps for a wide variety of applications.



| Part Number | Description | Tube Inside Diameter mm | Tube Outside Diameter mm | Tenon Size mm | Weight g |
|-------------|-----------------|-------------------------|--------------------------|---------------|----------|
| A.360 | End Plug | 22 | 25 | - | 7 |
| A.363 | End Plug | 29 | 32 | - | 10 |
| A.464 | End Cap | 41 | 45 | - | 14 |
| A.472 | End cap | 43 | 46 | - | 15 |
| A.466 | Nylon Mast Heel | 47 | 50 | 29 x 29 | 25 |

Mast Deck Chocks

Made from Nylon and suitable for use with any keel stepped dinghies such as 420, 470, 505 and Fireball's. Our mast deck chocks feature a soft nylon side that can be trimmed with a knife to suit the width of your mast gate. Available in a pack or individually.



| Part Number | Description | Thickness mm | Weight g |
|-------------|------------------------------------|-------------------------|----------|
| A.473-1 | Mast Deck Chock | 1 | 3 |
| A.473-5 | Mast Deck Chock | 5 | 13 |
| A.473-10 | Mast Deck Chock | 10 | 21 |
| A.473-C | Mast Deck Chock Curved | 10 | 32 |
| A.473-S | Mast Deck Chock Slotted And Wedged | 17 Maximum / 10 Minimum | 32 |
| A.473 | Pack Of 5 Mast Deck Chocks | - | 101 |

Mast Base Organiser (pair)



| Part Number | Description |
|-------------|----------------------------|
| A4950 | Mast Base Organiser - Pair |

Mirror Dinghy Mast Fittings

A range of 316 stainless steel fittings originally designed for the Mirror Dinghy, but suitable for many other classes and applications.



| Part Number | Description | Fixing Hole Diameter mm | Mast Diameter mm | Boom Size mm | Sheave Width mm | Weight g |
|-------------|-----------------|-------------------------|------------------|--------------|-----------------|----------|
| A4184 | Spinnaker Crane | 4 | 33 | - | 18 | 49 |
| A4314 | Gooseneck | 4 - 5 | 50 - 70 | 20+ | - | 84 |
| A4314R | Gooseneck | 4 - 5 | 50 - 70 | 43 | - | 88 |

Rigging Screws

316 Stainless steel rigging screws.



| Part Number | Description | Thread | Max Length mm | Min Length mm | Body Length mm | Fork Width mm | Pin Diameter mm | Breaking Load Kg | Weight g |
|-------------|---------------------------|--------|---------------|---------------|----------------|---------------|-----------------|------------------|----------|
| A6110 | Fork / Fork Rigging Screw | M5 | 180 | 126 | 80 | 8 | 5 | 800 | 51 |
| A6112 | Fork / Fork Rigging Screw | M6 | 200 | 138 | 92 | 8 | 5 | 1250 | 90 |
| A6114 | Fork / Fork Rigging Screw | M8 | 234 | 158 | 112 | 10 | 6 | 1300 | 140 |
| A6116 | Fork / Fork Rigging Screw | M10 | 272 | 188 | 120 | 11 | 8 | 2600 | 240 |



| Part Number | Description | Thread | Max Length mm | Min Length mm | Body Length mm | Fork Width mm | Pin Diameter mm | Breaking Load Kg | Weight g |
|-------------|--|--------|---------------|---------------|----------------|---------------|-----------------|------------------|----------|
| A6132 | Fork / Stud Rigging Screw For 2.5mm Wire | M5 | 206 | 152 | 80 | 8 | 5 | 800 | 45 |
| A6134 | Fork / Stud Rigging Screw For 3mm Wire | M6 | 232 | 170 | 92 | 8 | 6 | 1250 | 85 |
| A6136 | Fork / Stud Rigging Screw For 4mm Wire | M6 | 242 | 180 | 92 | 8 | 5 | 1250 | 87 |
| A6138 | Fork / Stud Rigging Screw For 4mm Wire | M8 | 275 | 199 | 112 | 19 | 6 | 1300 | 130 |
| A6140 | Fork / Stud Rigging Screw For 5mm Wire | M8 | 281 | 205 | 112 | 10 | 6 | 1300 | 132 |

Wire Stud Terminal

316 stainless steel threaded swaged stud for wire rigging.



| Part Number | Description | Thread | Thread Direction | Min Length mm | Body Length mm | Screw Length mm | Body Diameter mm | NV | Weight g |
|-------------|--|--------|------------------|---------------|----------------|-----------------|------------------|------|----------|
| A6110 | Fork / Fork Rigging Screw | M5 | | 126 | 80 | 8 | 5 | 800 | 51 |
| A6112 | Fork / Fork Rigging Screw | M6 | | 138 | 92 | 8 | 5 | 1250 | 90 |
| A6114 | Fork / Fork Rigging Screw | M8 | | 158 | 112 | 10 | 6 | 1300 | 140 |
| A6116 | Fork / Fork Rigging Screw | M10 | | 188 | 120 | 11 | 8 | 2600 | 240 |
| A6132 | Fork / Stud Rigging Screw For 2.5mm Wire | M5 | | 152 | 80 | 8 | 5 | 800 | 45 |
| A6134 | Fork / Stud Rigging Screw For 3mm Wire | M6 | | 170 | 92 | 8 | 6 | 1250 | 85 |
| A6136 | Fork / Stud Rigging Screw For 4mm Wire | M6 | | 180 | 92 | 8 | 5 | 1250 | 87 |
| A6138 | Fork / Stud Rigging Screw For 4mm Wire | M8 | | 199 | 112 | 19 | 6 | 1300 | 130 |
| A6140 | Fork / Stud Rigging Screw For 5mm Wire | M8 | | 205 | 112 | 10 | 6 | 1300 | 132 |

Wire Eye Terminal

316 Stainless steel eye terminals for wire rigging.



| Part Number | Description | Internal Body Diameter mm | External Body Diameter mm | Eye Diameter mm | Length From Eye Centre mm | Body Length mm | Thickness of Head mm | Weight g |
|-------------|---|---------------------------|---------------------------|-----------------|---------------------------|----------------|----------------------|----------|
| A6175 | Stainless Steel Eye Terminal For 2mm Wire | 2.2 | 5.5 | 5.5 | 49 | 32 | 3 | 0.9 |
| A6176 | Stainless Steel Eye Terminal For 2.5mm Wire | 2.8 | 5.5 | 5.5 | 49 | 32 | 3 | 0.8 |
| A6177 | Stainless Steel Eye Terminal For 3mm Wire | 3.5 | 6.35 | 6.5 | 55 | 38 | 4 | 1.3 |
| A6178 | Stainless Steel Eye Terminal For 4mm Wire | 4.4 | 7.5 | 8.5 | 67 | 45 | 5 | 2.3 |

Wire Fork Terminal

316 Stainless steel fork terminal for wire rigging.



| Part Number | Description | Internal Body Diameter mm | External Body Diameter mm | Eye Diameter mm | Length From Pin Centre mm | Body Length mm | Fork Width mm | Weight g |
|-------------|--|---------------------------|---------------------------|-----------------|---------------------------|----------------|---------------|----------|
| A6166 | Stainless Steel Fork Terminal For 2.5mm Wire | 2.8 | 5.5 | 5 | 58 | 32 | 7 | 2 |
| A6167 | Stainless Steel Fork Terminal For 3mm Wire | 3.5 | 6.35 | 5 | 65 | 38 | 7 | 2.3 |
| A6168 | Stainless Steel Fork Terminal For 3mm Wire | 3.5 | 6.35 | 6 | 66 | 38 | 9 | 2.8 |
| A6169 | Stainless Steel Fork Terminal For 4mm Wire | 4.4 | 7.5 | 5 | 71 | 45 | 7 | 2.7 |
| A6170 | Stainless Steel Fork Terminal For 4mm Wire | 4.4 | 7.5 | 6 | 73 | 45 | 9 | 3.4 |

Wire 'T' Terminal

316 Stainless steel 'T' terminal for wire



A4283

| Part Number | Description | Overall Length mm | Internal Length mm | Internal Diameter mm | External Diameter mm | Weight g |
|-------------|---|-------------------|--------------------|----------------------|----------------------|----------|
| A4283 | T-Terminal Backing Plate | 4 | - | - | 44 | 2.5 |
| A6185 | Stainless Steel 'T' Terminal For 2mm Wire | 80 | 32 | 2.2 | 5.5 | 1.5 |
| A6186 | Stainless Steel 'T' Terminal For 2.5mm Wire | 80 | 32 | 2.7 | 5.5 | 1.5 |
| A6187 | Stainless Steel 'T' Terminal For 3mm Wire | 80 | 39 | 3.3 | 6.35 | 2 |
| A6188 | Stainless Steel 'T' Terminal For 4mm Wire | 100 | 45 | 4.2 | 7.5 | 4 |

Eye Bolt

Stainless steel eye screw with bolt for rigging.



| Part Number | Description | Thread | Overall Length mm | Length From Hole Centre mm | Screw Length mm | Head Diameter mm | Thread Length mm | Breaking Load Kg | Weight g |
|-------------|--------------------------|--------|-------------------|----------------------------|-----------------|------------------|------------------|------------------|----------|
| A6200 | Stainless Steel Eye Bolt | M6 | 57 | 46 | 30 | 13 | 30 | 1360 | 1.8 |
| A6204 | Stainless Steel Eye Bolt | M6 | 87 | 76 | 60 | 13 | 60 | 1360 | 2.6 |
| A6208 | Stainless Steel Eye Bolt | M8 | 66 | 53 | 35 | 15 | 35 | 2390 | 3.8 |
| A6212 | Stainless Steel Eye Bolt | M8 | 110 | 98 | 80 | 15 | 75 | 2390 | 5.5 |

Rig Spanner

Closed

Open



Part Number Description

A4004 Rig Spanner

Boom's & Levers


We can build a variety of Finn and OK Boom's. Please get in touch to find out more information about fittings and set-ups available.



| Part Number | Description |
|-------------|---------------------------------------|
| FINN-BOOM | Finn Boom |
| FINN-LEVER | Vang Lever for Finn & OK Dinghy Booms |
| MS7272 | OK Boom |

Boom Slides

A very popular 316 stainless steel slider with loop and screw to attach mainsheet and kicking strap points to a boom.



| Part Number | Description | Length mm | Width mm | Thickness mm | Loop ID mm | Loop OD mm | Weight g |
|-------------|---------------------------------------|-----------|----------|--------------|------------|------------|----------|
| A4258 | Adjustable Stainless Steel Boom Slide | 64 | 16 | 2 | 15 | 25 | 61 |

Spinnaker Pole & Jib Stick Fittings

A range of nylon fittings for use with a variety of spinnaker poles or jib sticks. A4331 & A4431 feature a spring loaded piston trigger to allow for easy open and closing. Designed to fit our spinnaker mast brackets.



| Part Number | Description | Fixing Hole Diameter mm | Fixing Hole Centres mm | To Suit Spa Diameter mm | Length mm | Eye Diameter mm | Maximum Rope Size mm | Weight g |
|-------------|-------------------------------------|-------------------------|------------------------|-------------------------|-----------|-----------------|----------------------|----------|
| A..31 | Spinnaker Pole Snap Hook | - | - | 22 | 42 | 9 | 8 | 8 |
| A.131 | External Spinnaker Pole Snap Hook | 4 | 33 | 15 | 83 | 9 | 8 | 12 |
| A..54 | Jib Stick Spike | - | - | 22 | 52 | - | - | 8 |
| A.154 | External Jib Stick Spike | 4 | 35 | 15 | 89 | - | - | 11 |
| A4331 | Piston Triggered Spinnaker Pole End | 5 | 70 | 34 | 142 | 13 | 10 | 150 |
| A4431 | Piston Triggered Spinnaker Pole End | 6 | 37 | 22 | 102 | 8 | 7 | 50 |
| A.257 | Spinnaker Pole Cleat | 5 | 36 | - | 102 | - | 6 | 18 |
| A.357 | Spinnaker Pole Ramp | 5 | 36 | - | - | - | 6 | 16 |
| A.602 | Spinnaker Pole Tubing 25mm O/D | - | - | 25 | - | - | - | - |

Rudder Stocks and Accessories



International Moth - Credit: Mark Jardine

RUDDER STOCK & ACCESSORIES

Tiller Extensions - Carbon

Allen Carbon Tiller Extensions are light yet responsive, providing you with great feedback from your tiller. We have two styles of Carbon Tiller Extensions to suit your style of sailing. Available in a variety of lengths. The A55.. range has a narrower carbon tube and utilises a foam grip at the end of the extension.



| Part Number | Description | Length mm | Length ft | Weight g | Tube Diameter mm |
|-------------|---|-----------|-----------|----------|------------------|
| A5506 | Carbon Fibre With Soft Grip And Universal Joint | 609 | 2 | 96 | 20 |
| A5507 | Carbon Fibre With Soft Grip And Universal Joint | 710 | 2.3 | 103 | 20 |
| A5512 | Carbon Fibre With Soft Grip And Universal Joint | 1200 | 4 | 147 | 20 |
| A5514 | Carbon Fibre With Soft Grip And Universal Joint | 1400 | 4.10 | 164 | 20 |
| A5519 | Carbon Fibre With Soft Grip And Universal Joint | 1900 | 6.3 | 206 | 20 |
| A5521 | Carbon Fibre With Soft Grip And Universal Joint | 2100 | 6.9 | 226 | 20 |
| A5525 | Carbon Fibre With Soft Grip And Universal Joint | 2500 | 8.3 | 269 | 20 |



Tiller Extensions - Blue Carbon

The A58.. range features a thicker diameter tube with a peel ply grip finish. This range also incorporates a blue weave into the carbon for a stylish finish.



| Part Number | Description | Length mm | Length ft | Weight g | Tube Diameter mm |
|-------------|---|-----------|-----------|----------|------------------|
| A5811 | Blue Carbon Fibre Tiller Extension | 1100 | 3.6 | 240 | 23 |
| A5812 | Blue Carbon Tiller Extension With Universal Joint | 1200 | 3.9 | 250 | 23 |
| A5814 | Blue Carbon Tiller Extension With Universal Joint | 1400 | 4.5 | 282 | 23 |
| A5819 | Blue Carbon Tiller Extension With Universal Joint | 1900 | 6.2 | 368 | 23 |
| A5821 | Blue Carbon Tiller Extension With Universal Joint | 2100 | 6.8 | 402 | 23 |
| A5825 | Blue Carbon Tiller Extension With Universal Joint | 2500 | 8.2 | 468 | 23 |

Tiller Extensions - Aluminium

Our Range of Aluminium Tiller Extensions are lightweight and feature a foam grip to give you the ultimate control. Available in 7 lengths and 7 anodised colours, Red, Blue, Black, Silver, Orange, Purple and Graphite.



| Part Number | Description | Suitable For | Length mm | Length ft | Weight g |
|-------------|---------------------------------|---|-----------|-----------|----------|
| A.454 | Tiller Extension Retaining Clip | All Aluminium Tiller Extensions | - | - | 4 |
| A4198 | Aluminium Tiller Extension | | 700 | 2.29 | 141 |
| A4898 | Aluminium Tiller Extension | Optimist, Cadet | 609 | 2 | 124 |
| A4298TOP | Aluminium Tiller Extension | Topper | 685 | 2.3 | 177 |
| A4298 | Aluminium Tiller Extension | Laser 2, Laser 3000 | 762 | 2.6 | 147 |
| A4498TOP | Aluminium Tiller Extension | Topper | 975 | 3.2 | 177 |
| A4498 | Aluminium Tiller Extension | 470,420, Enterprise, GP14, Pico | 915 | 3 | 170 |
| A4698 | Aluminium Tiller Extension | Laser, RS400, Finn, 29er, RSFeva, RS200 | 1067 | 3.6 | 195 |
| A4798 | Aluminium Tiller Extension | B14, RS600, Int.14, Contender | 1975 | 6.6 | 347 |

Tiller Extension Universal Joints

Universal joints are for connecting the tiller extension to the tiller. Our range gives you maximum control and feedback whilst still proving reliable over long periods of use.



| Part Number | Description | Fixing Hole mm | Bolt Length mm | To Suit | Weight g |
|-------------|--|----------------|----------------|---|----------|
| A4092 | UJ Bolt Fixing For Wooden Tiller | 4 | 32 | 17mm Maximum Outside Diameter Extension | 41 |
| A4098 | UJ Base Plate Fixing For Wooden Tiller | 4 | - | 17mm Maximum Outside Diameter Extension | 41 |
| A5098 | Tiller Flexi-Joint Oval Version | 5 | - | 13mm Minimum Inside Diameter Tube | 22 |
| A5198 | Tiller Flexi-Joint Square Version | 5 | - | 13mm Minimum Inside Diameter Tube | 22 |
| A5196 | Saddle To Go Under Flexi-Joint | 5 | - | 25mm Tiller Tube | 6 |
| A5197 | Saddle To Go Under Flexi-Joint | 5 | - | 32mm Tiller Tube | 5 |

Rudder Stocks

Allen Rudder Stocks have been developed from years of high performance rudder stock designs. The design is based on innovative interlocking precision-machined components, and does away with the chunky pintle and gudgeon brackets that are typically found on pressed aluminium stocks. Instead they are integrated into the main section to give you a clean, cutting-edge look, but it also delivers a 25% weight reduction in comparison to the traditional design. The final assembly is very stiff and robust, making the tiller far more responsive.



A7000 A7001



| Part Number | Description | Between Pintle mm | Blade Thickness mm | Tiller Angle Degrees | Tiller Diameter mm | Tiller Length mm | Weight g |
|-------------|--|-------------------|--------------------|----------------------|--------------------|------------------|----------|
| A7000 | Rudder Stock | 175 | 25 | 7 | - | - | 744 |
| A7001 | One Piece Pintle & Gudgeon For Use With A7000 | - | - | - | - | - | - |
| 1619 | Gorilla Tiller With Aluminium Tiller Extension | - | - | - | 31.5 | 990 | - |
| A7002-1.0 | 1000mm Tiller For Use With A7000 | - | - | - | - | - | - |
| A7002-1.1 | 1100mm Tiler For Use With A7000 | - | - | - | - | - | - |
| A7002-1.2 | 1200mm Tiler For Use With A7000 | - | - | - | - | - | - |
| A7002-1.3 | 1300mm Tiller For Use With A7000 | - | - | - | - | - | - |
| A7420 | 420 Rudder Stock | 244 | 19 | - | - | - | - |
| A7470 | 470 Rudder Stock | 226 | 22 | - | - | 369 | - |
| A.980 | Firefly Rudder Stock | 215 | 38 | - | - | - | 291 |

Transom Plates, Pintles & Gudgeons

Our range of Rudder Gudgeons and Pintles are available in varying sizes. Designed for fixing to the rudder blade or rudder stock.



| Part Number | Description | Fixing Hole Diameter mm | Overall Width mm | Hole / Pin Diameter mm | Pin Length mm | Transom To Pin Centre mm | Weight g |
|-------------|--------------------------|-------------------------|------------------|------------------------|---------------|--------------------------|----------|
| A.420 | Transom Gudgeon | 5 | 131 | 8 | 30 | 39 | 42 |
| A.485 | Laser/ILCA Gudgeon | 6 | 131 | 10 | - | 36 | 34.9 |
| A.520 | Transom Gudgeon | 5 | 70 | 8 | - | 19 | 28 |
| A.520-10 | Transom Gudgeon | 5 | 70 | 10 | - | 16 | 27 |
| A4020 | Transom Gudgeon | 5 | 70 | 8 | - | 18 | 22 |
| A4020S | Transom Gudgeon | 5 | 76 | 8 | - | 17 | 41 |
| A4120 | Transom Gudgeon | 5 | 76 | 8 | - | 18 | 17 |
| A4420 | Optimist Transom Gudgeon | 4 | 44 | 6.3 | - | - | 24 |
| A4840 | Rudder Gudgeon | 5 | 62 | 8 | - | 31 | 22 |



| Part Number | Description | Fixing Hole Diameter mm | Overall Width mm | Hole / Pin Diameter mm | Pin Length mm | Transom To Pin Centre mm | Weight g |
|-------------|--------------------------------------|-------------------------|------------------|------------------------|---------------|--------------------------|----------|
| A.519 | Transom Pintle | 5 | 70 | 7.8 | 45 | 19 | 89 |
| A.519-10 | Transom Pintle | 5 | 70 | 10 | 57 | 16 | 95 |
| A4019 | Transom Pintle | 4 | 80 | 7.8 | 57 | 18 | 67 |
| A4019S | Transom Pintle | 4 | 76 | 7.8 | 57 | 17 | 112 |
| A4317 | Transom Pintle | 4 | 32 | 7.8 | 37 | 18 | 40 |
| A7001 | One Piece Pintle & Gudgeon For A7000 | 5 | 69 | 7.59 | - | 18 | 100 |
| A.619 | Pintle Packing Spacer | 6 | 71 | - | - | - | 6 |

Rudder Retaining Equipment

Our range of acetal and stainless steel rudder retaining equipment holds the rudder in place. Available in a variety of sizes.



| Part Number | Description | Fixing Hole Diameter mm | Overall Width mm | Weight g |
|-------------|--|-------------------------|------------------|----------|
| A..21 | Acetal Retaining Clip | 4 | 53 | 2.5 |
| A..21SS | Stainless Steel Retaining Clip | 4 | 53 | 5 |
| A.221 | Optimist Rudder Retaining Clip | 4 | 51 | 2.5 |
| A1923 | Stainless Steel Retaining Clip With Endcap | 5 | 78 | 9 |
| A4121 | Stainless Steel Retaining Clip | 5 | 78 | 9 |

Rudder Wing Nuts



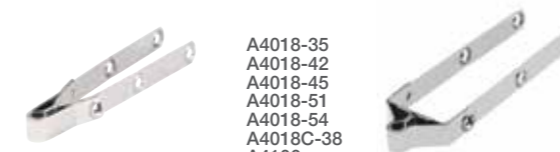
| Part Number | Description | Fixing Hole Diameter mm | Overall Width mm | Weight g |
|-------------|----------------------------------|-------------------------|------------------|----------|
| A4229-6 | Rudder Stock Wing Nut | 6 | 57 | 21 |
| A4229-8 | Rudder Stock Wing Nut | 8 | 57 | 20 |
| A5229 | Wing Nut & Bolt Retainer Plastic | 8 | 65 | 19 |
| A1785 | Laser Tiller Retaining Pin | - | 3 | 3.7 |

Rudder Pintles & Gudgeons

Available in varying sizes to match rudder head widths, this range of 316 stainless steel fittings are for fixing to the rudder blade or rudder stock.



| Part Number | Description | Fixing Hole Diameter mm | Width mm | Hole / Pin Diameter mm | Pin Length mm | Length mm | Distance From Stock To Pin mm | Weight g |
|-------------|------------------------|-------------------------|----------|------------------------|---------------|-----------|-------------------------------|----------|
| A4017-23 | Rudder Pintle | 4 | 23 | 7.8 | 40 | 89 | 18 | 88 |
| A4017-35 | Rudder Pintle | 4 | 35 | 7.8 | 40 | 89 | 18 | 101 |
| A4017-42 | Rudder Pintle | 4 | 42 | 7.8 | 40 | 89 | 18 | 101 |
| A4017-45 | Rudder Pintle | 4 | 45 | 7.8 | 40 | 89 | 18 | 101 |
| A4017-51 | Rudder Pintle | 4 | 51 | 7.8 | 40 | 89 | 18 | 101 |
| A4017-54 | Rudder Pintle | 4 | 54 | 7.8 | 40 | 89 | 18 | 101 |
| A4017-60 | Rudder Pintle | 4 | 60 | 7.8 | 40 | 89 | 18 | 101 |
| A4017C-38 | Rudder Pintle | 4 | 38 | 7.8 | 40 | 89 | 18 | 101 |
| A4117L | Rudder Pintle | 4 | 11 | 7.8 | 47 | 70 | 18 | 57 |
| A4117S | Rudder Pintle | 4 | 11 | 7.8 | 35 | 70 | 18 | 57 |
| A4417L | Optimist Rudder Pintle | 5 | 12 | 6 | 35 | 97 | 10 | 48 |
| A4417S | Optimist Rudder Pintle | 4 | 12 | 6 | 19 | 78 | 10 | 40 |



| Part Number | Description | Fixing Hole Diameter mm | Width mm | Hole / Pin Diameter mm | Pin Length mm | Length mm | Distance From Stock To Pin mm | Weight g |
|-------------|----------------|-------------------------|----------|------------------------|---------------|-----------|-------------------------------|----------|
| A4018-23 | Rudder Gudgeon | 4 | 23 | 8 | - | 135 | 18 | 87 |
| A4018-35 | Rudder Gudgeon | 4 | 35 | 8 | - | 145 | 18 | 105 |
| A4018-42 | Rudder Gudgeon | 4 | 42 | 8 | - | 145 | 18 | 105 |
| A4018-45 | Rudder Gudgeon | 4 | 45 | 8 | - | 140 | 18 | 105 |
| A4018-51 | Rudder Gudgeon | 4 | 51 | 8 | - | 140 | 18 | 105 |
| A4018-54 | Rudder Gudgeon | 4 | 54 | 8 | - | 140 | 18 | 105 |
| A4018C-38 | Rudder Gudgeon | 4 | 38 | 8 | - | 92 | 18 | 83 |
| A4106 | Rudder Gudgeon | 4 | 38 | 8 | - | 120 | 18 | 126 |
| A4318 | Rudder Gudgeon | 4 | 43 | 8 | - | 123 | 18 | 123 |

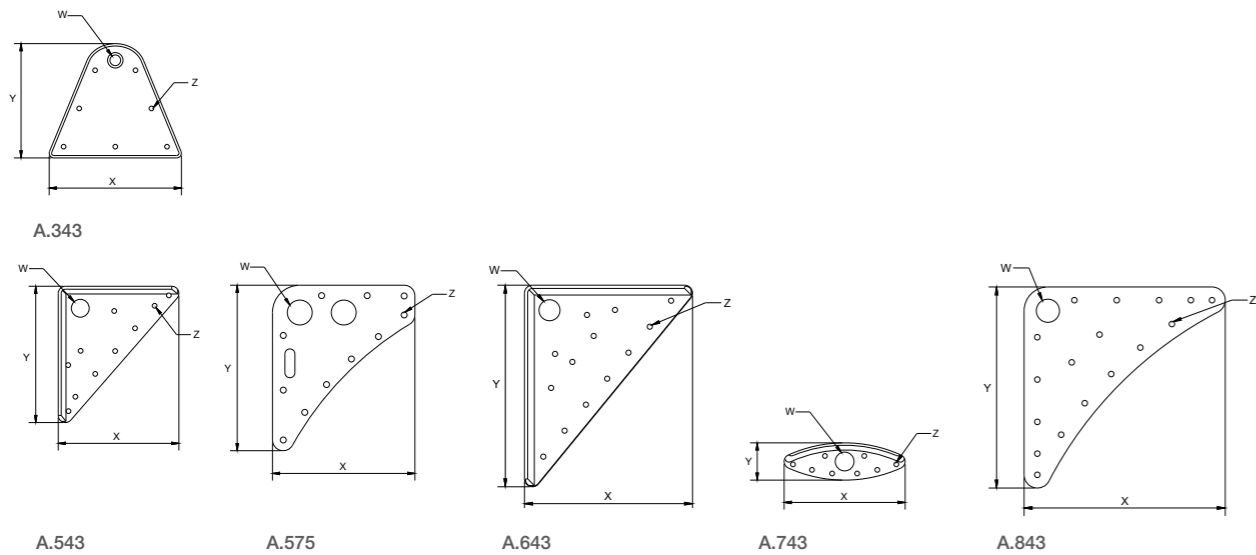
Sailmakers Hardware

SAILMAKERS
HARDWARE



Petticrows Dragon - Credit: Elena Razina

Sail Headboards High quality in-house injection moulded nylon 6 sailmakers headboards.



| Part Number | Description | W mm | X mm | Y mm | Z mm | Weight g |
|-------------|-------------|------|------|------|------|----------|
| A.343 | Spinnaker | 9 | 110 | 95 | 4 | 18 |
| A.543 | Mainsail | 16 | 110 | 115 | 4 | 14 |
| A.575 | Mainsail | 21 | 120 | 140 | 5 | 32 |
| A.643 | Mainsail | 16 | 126 | 150 | 4 | 25 |
| A.743 | Spinnaker | 16 | 112 | 32 | 4 | 4 |
| A.843 | Headboard | 17 | 152 | 152 | 4 | - |

Batten Hardware

In-house injection moulded nylon 6 and high quality 316 stainless steel batten protectors and batten end tensioners.



| Part Number | Description | To Suit Batten Width mm | To Suit Batten Thickness mm | To Suit Batten Diameter mm | Length Overall mm | Width Overall mm | Thickness Overall mm | Weight g |
|-------------|--|-------------------------|-----------------------------|----------------------------|-------------------|------------------|----------------------|----------|
| A..51 | Batten Protector With Stainless Steel Screws | 27 | 5 | | 46 | 20 | 10 | 7 |
| A.101 | Batten Compression Adjuster | 14 | 9 | | 71 | 28 | 20 | 8 |
| A.102 | Stainless Steel Batten Pocket Connector | - | 10 | | 66 | 18 | - | 47 |
| A.151 | Batten Protector With Brass Screws | 34 | 4 | | 47 | 10 | 9 | 3 |
| A.251 | Batten Protector With Brass Screws | 60 | 7 | | 85 | 15 | 13 | 13 |
| A.351 | Batten Protector With Stainless Steel Screws | 40 | 5 | | 64 | 30 | 10 | 11 |
| A.419L | Batten Protector - Long | 53 | 10 | 22 | 91 | 78 | 32 | 142 |
| A.419S | Baton Protector - Short | 42 | 6 | 15 | 70 | 63 | 25 | 80 |
| A.451 | Batten Protector With Stainless Steel Screws | 25 | 6 | | 43 | 34 | 16 | 13 |
| A.651 | Batten End Cap | 14.5 | 6 | | 33 | 28 | 10 | 20 |
| A.751 | Batten End Cap | 20 | 7 | | 20 | 32 | 10 | 6 |
| A.851 | Batten Protector With Stainless Steel Screws | 23 | 5 | | 64 | 35 | 10 | 15 |
| A.951-10 | Inboard Batten Adjuster | 10 | 4 | - | 62 | 35 | 17 | 33 |

Jib Hanks High quality in-house injection moulded nylon 6 jib twist on hanks (Patented). Ideal for connecting the luff of the jib to a forestay.

| Part Number | Description | Forestay mm | Maximum Luff Wire mm | Weight g |
|-------------|--|-------------|----------------------|----------|
| A.144 | Small Jib Hank (Patent No: 881696) | 4 | 5 | 2.66 |
| A.144B | Small Jib Hank (Patent No: 881696) Black | 4 | 5 | 2.66 |
| A.244 | Large Jib Hank (Patent No: 881696) | 5 | 6 | 3.75 |
| A.344 | Jib Hank With Stainless Steel Screw | 4 | 5 | 2.66 |

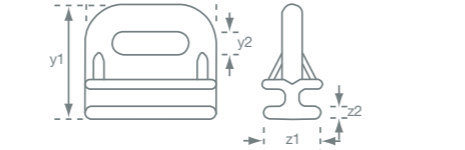
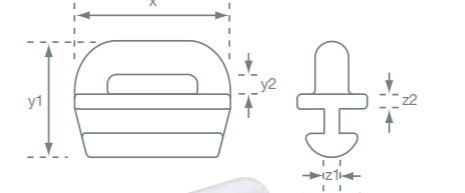
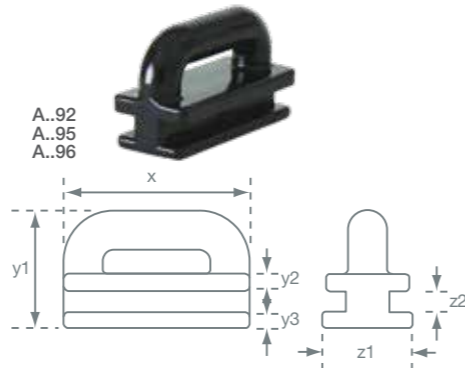
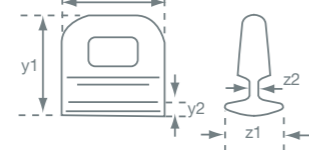
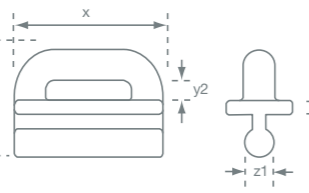
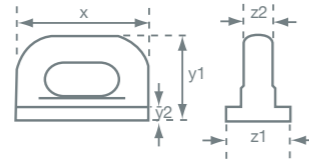
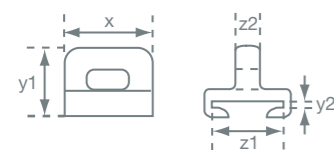
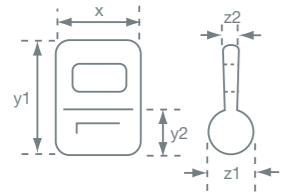
Luff & Cunningham Blocks

| Part Number | Description | Sheave Size mm | Weight g | Length mm | Width mm |
|-------------|---|----------------|----------|-----------|----------|
| A.478 | Nylon Cunningham Block With Acetal Sheave | 22 | 16 | 80 | 30 |
| A.886 | Snap-On 3 Piece Nylon Luff Block | 16 | 6 | 40 | 16 |

Sail Track Slides & Slugs

Lightweight in-house injection moulded nylon 6 sail slides and slugs. Designed to be stitched or lashed to fabric applications, such as the luff or foot of a mainsails or to attach the sides of an awning.

Sail slugs are designed to go inside a track and sail slides are designed to wrap around the outside of a track.



| Part Number | Description | X mm | Y1 mm | Y2 mm | Z1 mm | Z2 mm | Weight g | Breaking Load kg | Maximum Working Load kg |
|-------------|---------------------|------|-------|-------|-------|-------|----------|------------------|-------------------------|
| A..89 | Internal Sail Slide | 32 | 21 | 4 | 15 | 7 | 4 | 250 | 100 |
| A..90 | Internal Sail Slide | 35 | 23 | 4 | 18 | 9 | 5 | 275 | 100 |
| A..91 | Internal Sail Slide | 39 | 25 | 5 | 21 | 8 | 8 | 500 | 150 |
| A..92 | Internal Sail Slide | 45 | 27.65 | 2.84 | 17.9 | 4.23 | 13 | 300 | 150 |
| A..95 | Internal Sail Slide | 45 | 26.9 | 3.1 | 15.3 | 4.23 | 12 | 400 | 250 |
| A..96 | Internal Sail Slide | 45 | 28.4 | 3.77 | 21.8 | 4.23 | 14 | 500 | 300 |
| A.158 | Sail Slug | 22 | 29 | 9 | 8 | 3 | 2 | 100 | 50 |
| A.258 | Sail Slug | 50 | 40 | 11 | 14 | 3 | 5 | 200 | 50 |
| A.358 | Sail Slug | 22 | 30 | 12 | 12 | 3 | 3 | 120 | 50 |
| A.758 | Sail Slug | 45 | 35.15 | 4.23 | 11.60 | 5.75 | 14 | 500 | 250 |
| A.958 | Sail Slug | 45 | 32.45 | 4.23 | 8.90 | 5.75 | 12 | 400 | 250 |
| A1058 | Sail Slug | 45 | 30.75 | 4.23 | 7.3 | 5.75 | 10 | 300 | 250 |
| A1158 | Sail Slug | 45 | 33.55 | 4.23 | 4.40 | 5.75 | 14 | 600 | 250 |
| A.289 | External Sail Slide | 23 | 20 | 2 | 18 | 6 | 4 | 75 | 40 |
| A.389 | External Sail Slide | 28 | 20 | 3 | 23 | 6 | 5 | 120 | 50 |
| A.458 | Internal Sail Slide | 30 | 29 | 4 | 13.8 | 3 | 5 | 250 | 100 |
| A.558 | Internal Sail Slide | 25 | 22 | 3 | 10.5 | 4 | 2 | 150 | 50 |
| A.558DW | Internal Sail Slide | 41 | 21 | 3 | 10 | 5 | - | 140 | 30 |
| A.658 | Internal Sail Slide | 39 | 34 | 4.2 | 17 | 3.8 | 10 | 350 | 150 |

Sail Shackles

High quality in-house injection moulded nylon 6 sail shackles with either screw fixing or snap fixing.



| Part Number | Description | Width mm | Length mm | Opening mm | Weight g |
|-------------|------------------------|----------|-----------|------------|----------|
| A.249 | Slide Hank With Screws | 52 | 21 | - | 4 |
| A.349 | Nylon Sail Shackle | 13.5 | 26 | 4 | 0.5 |
| A.449 | Nylon Sail Shackle | 24 | 45 | 7 | 3.5 |
| A.549 | Nylon Sail Shackle | 28 | 53 | 6 | 6 |
| A.649 | Ring | 46 | 60 | 5 | 8 |
| A.749 | Nylon Sail Shackle | 18 | 36 | 9 | 3 |
| A.849 | Nylon Sail Shackle | 19 | 39 | 9 | 4 |
| A1049 | Nylon Sail Shackle | 62.15 | 5.5 | 15 | 6 |

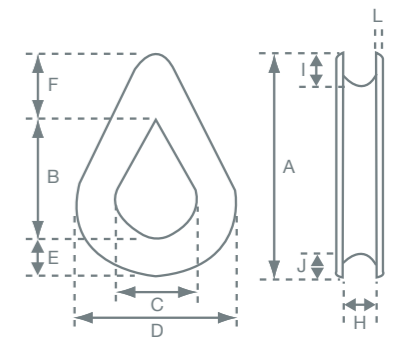
Sail Ring

Strong and light weight, in-house injection moulded nylon 6 sail rings.

| Part Number | Description | Inside Diameter mm | Outside Diameter mm | Breaking Load Kg | Weight g |
|-------------|-----------------|--------------------|---------------------|------------------|----------|
| A..56 | Nylon Sail Ring | 13 | 22 | 50 | 0.3 |
| A.156 | Nylon Sail Ring | 18 | 32 | 90 | 2.5 |
| A.256 | Nylon Sail Ring | 22 | 37.5 | 130 | 4.5 |
| A.356 | Nylon Sail Ring | 28 | 46.5 | 200 | 8 |

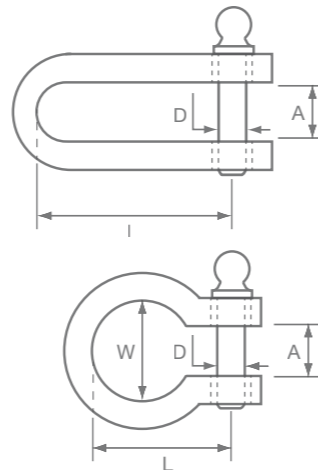
Thimbles

High quality in house injection moulded nylon 6 and 316 stainless steel thimbles for wire and rope suitable for 2mm to 18mm diameters.



| Part Number | Description | A mm | B mm | C mm | D mm | E mm | F mm | H mm | J mm | L mm |
|-------------|--|------|------|------|------|------|------|------|------|------|
| A.802 | Nylon Thimble For 2mm Rope | 12 | 7.3 | 4.9 | 8.8 | 1.9 | 2.9 | 2.1 | 1.1 | 0.4 |
| A.803 | Nylon Thimble For 3mm Rope | 18 | 10.9 | 7.3 | 15.1 | 2.8 | 4.3 | 3.1 | 1.7 | 0.6 |
| A.804 | Nylon Thimble For 4mm Rope | 24 | 14.5 | 9.8 | 17.5 | 3.8 | 5.8 | 4.2 | 2.3 | 0.8 |
| A.805 | Nylon Thimble For 5mm Rope | 30 | 18.1 | 12.1 | 21.9 | 4.7 | 7.2 | 5.0 | 2.8 | 0.9 |
| A.806 | Nylon Thimble For 6mm Rope | 36 | 21.8 | 14.6 | 26.3 | 5.6 | 8.6 | 6.1 | 3.4 | 1.1 |
| A.808 | Nylon Thimble For 8mm Rope | 48 | 29.0 | 19.5 | 35.0 | 7.5 | 11.5 | 8.0 | 4.5 | 1.5 |
| A.810 | Nylon Thimble For 10mm Rope | 60 | 36.3 | 24.4 | 43.8 | 9.4 | 14.4 | 10.0 | 5.6 | 1.9 |
| A.812 | Nylon Thimble For 12mm Rope | 72 | 43.5 | 29.3 | 52.5 | 11.3 | 17.3 | 11.2 | 6.8 | 2.3 |
| A.814 | Nylon Thimble For 14mm Rope | 84 | 50.8 | 34.1 | 61.3 | 13.1 | 20.1 | 13.4 | 7.9 | 2.6 |
| A.818 | Nylon Thimble For 18mm Rope | 108 | 65.3 | 43.9 | 78.8 | 16.9 | 25.9 | 17.2 | 10.1 | 3.4 |
| A6010 | Stainless Steel Thimble For 2mm Wire Or Rope | 20 | 17 | 9 | 12 | - | - | 3 | - | 1.0 |
| A6011 | Stainless Steel Thimble For 3mm Wire Or Rope | 22 | 18 | 10 | 14 | - | - | 4 | - | 1.0 |
| A6012 | Stainless Steel Thimble For 4mm Wire Or Rope | 25 | 20 | 11 | 16 | - | - | 5 | - | 1.2 |
| A6013 | Stainless Steel Thimble For 5mm Wire Or Rope | 26 | 21 | 13 | 18 | - | - | 6 | - | 1.2 |
| A6014 | Stainless Steel Thimble For 6mm Wire Or Rope | 32 | 27 | 15 | 20 | - | - | 7 | - | 1.5 |

Shackles



Forged Shackles

A range of forged stainless steel shackles, forged for the highest strength to size ratio.



| Part Number | Description | L mm | A mm | D mm | Breaking Load kg |
|-------------|-----------------------|------|------|------|------------------|
| A5404S | D Shackle Extra Small | 15 | 8 | 4 | 780 |
| A5405N | D Shackle Narrow | 18 | 6 | 5 | 1250 |
| A5405S | D Shackle Small | 18 | 11 | 5 | 1250 |
| A5406S | D Shackle Medium | 12 | 13 | 6 | 2500 |

Pressed Shackles

A range of 316 stainless steel pressed shackles designed specifically for dinghies and sportsboats incorporating strength and practicality.



| Part Number | Description | L mm | A mm | D mm | W mm | Breaking Load kg | Maximum Working Load kg | Weight g |
|-------------|-----------------------------|------|------|------|------|------------------|-------------------------|----------|
| A4929 | Pressed Shackle | 9 | 11 | 5 | - | 300 | 250 | 6 |
| A4728 | Pressed Rigging Link Narrow | 10 | 9 | 3 | 11 | 250 | 200 | 3 |
| A4348 | Pressed Shackle | 14 | 13 | 5 | 14 | 1000 | 300 | 4 |
| A4528 | Pressed Rigging Link Narrow | 15 | 11 | 5 | 13 | 900 | 300 | 7 |
| A4148 | Pressed Shackle | 16 | 9 | 5 | - | 1000 | 500 | 7 |

Pressed Shackles



| Part Number | Description | L mm | A mm | D mm | W mm | Breaking Load kg | Maximum Working Load kg | Weight g |
|-------------|-----------------------------------|------|------|------|------|------------------|-------------------------|----------|
| A4028 | Pressed Rigging Link Narrow | 16 | 9 | 5 | - | 900 | 300 | 7 |
| A4128 | Pressed Rigging Link | 18 | 8 | 5 | - | 700 | 300 | 7 |
| A4428 | Pressed Shackle | 20 | 16 | 5 | - | 1000 | 300 | 7 |
| A4328 | Pressed Rigging Link Narrow | 21 | 12 | 5 | 14 | 1000 | 300 | 9 |
| A4048 | Pressed Shackle | 20 | 13 | 5 | 14 | 800 | 300 | 10 |
| A4828 | Bayonet Halyard Shackle | 25 | 13 | 5 | - | 550 | 200 | 17 |
| A1438 | Pressed Shackle | 27 | 18 | 6 | 19 | 1000 | 500 | 19 |
| A4228 | Large Pressed Rigging Link Narrow | 29 | 8 | 5 | 13 | 1300 | 600 | 20 |
| A4138 | Pressed Rigging Link | 31 | 13 | 5 | - | 800 | 300 | 14 |

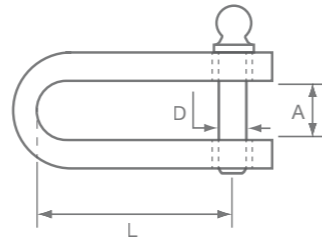
Round Body Shackles A range of 316 stainless steel round body shackles and bow shackles with a forged pin.



| Part Number | Description | L mm | A mm | D mm | W mm | Breaking Load kg | Weight g |
|-------------|---------------------------------|------|------|------|------|------------------|----------|
| A-621104 | D Shackle With Forged Pin | 16 | 9 | 4 | - | 500 | 6 |
| A-621105 | D Shackle With Forged Pin | 18 | 11 | 5 | - | 950 | 13 |
| A-621106 | D Shackle With Forged Pin | 22 | 13 | 6 | - | 1500 | 24 |
| A-621108 | D Shackle With Forged Pin | 32 | 16 | 8 | - | 2500 | 55 |
| A-621110 | D Shackle With Forged Pin | 40 | 20 | 10 | - | 4100 | 109 |
| A-622104 | Bow Shackle With Forged Pin | 20 | 8 | 4 | 13 | 500 | 8 |
| A-622105 | Bow Shackle With Forged Pin | 23 | 11 | 5 | 17 | 950 | 15 |
| A-622106 | Bow Shackle With Forged Pin | 27 | 14 | 6 | 21 | 1500 | 26 |
| A-622108 | Bow Shackle With Forged Pin | 36 | 18 | 8 | 28 | 2500 | 59 |
| A-623104 | Long D Shackle With Forged Pin | 32 | 8 | 4 | - | 500 | 9 |
| A-623105 | Long D Shackle With Forged Pin | 40 | 10 | 5 | - | 950 | 20 |
| A-623106 | Long D Shackle With Forged Pin | 48 | 12 | 6 | - | 1500 | - |
| A-623108 | Long D Shackle With Forged Pin | 60 | 17 | 8 | - | 2500 | 73 |
| A-623110 | Long D Shackle With Forged Pin | 80 | 20 | 10 | - | 3000 | 8 |
| A-624105 | Twisted Shackle With Forged Pin | 28 | 10 | 5 | - | 950 | 16 |
| A-624106 | Twisted Shackle With Forged Pin | 33 | 13 | 6 | - | 1500 | 28 |
| A-624108 | Twisted Shackle With Forged Pin | 40 | 18 | 8 | - | 2500 | 65 |
| A-624110 | Twisted Shackle With Forged Pin | 44 | 16 | 10 | - | 4100 | - |

Strip Shackles

A range of 316 stainless steel strip shackles designed for strength and practicality.



A6020
A6022
A6023
A6024



A6027



A6028



A6035
A6037
A6038
A6039
A6040



A6045
A6046
A6047



A6060
A6061
A6062



A6065
A6066
A6067
A6068
A6069



A6075
A6076
A6077
A6078



| Part Number | Description | L mm | A mm | D mm | Breaking Load kg | Weight g |
|-------------|---|------|------|------|------------------|----------|
| A6020 | D Shackle With Standard Pin | 15 | 10 | 4 | 500 | 4 |
| A6022 | D Shackle With Standard Pin | 17 | 12 | 5 | 1000 | 8 |
| A6023 | D Shackle With Standard Pin | 24 | 15 | 5 | 1000 | 15 |
| A6024 | D Shackle With Standard Pin | 36 | 16 | 5 | 1200 | 16 |
| A6027 | Shackle With Key Pin | 24 | 16 | 6 | 1200 | 16 |
| A6028 | D Shackle With Standard Pin | 40 | 15 | 6 | 1200 | 25 |
| A6035 | D Shackle With Slotted Pin | 15 | 10 | 4 | 500 | 4 |
| A6037 | D Shackle With Slotted Pin | 17 | 12 | 5 | 1000 | 8 |
| A6038 | D Shackle With Slotted Pin | 24 | 15 | 5 | 1000 | 14 |
| A6039 | D Shackle With Slotted Pin | 36 | 16 | 5 | 1200 | - |
| A6040 | D Shackle With Slotted Pin | 25 | 12 | 5 | 1200 | 10 |
| A6045 | Bow Shackle With Standard Pin | 23 | 15 | 6 | 2000 | - |
| A6046 | Bow Shackle With Standard Pin | 32 | 17 | 8 | 3000 | 39 |
| A6047 | Bow Shackle With Standard Pin | 40 | 21 | 10 | 5000 | - |
| A6060 | Twisted Shackle With Standard Pin | 22 | 12 | 5 | 1200 | 11 |
| A6061 | Twisted Shackle With Standard Pin | 33 | 12 | 5 | 1200 | 15 |
| A6062 | Twisted Shackle With Standard Pin | 36 | 14 | 6 | 2000 | 25 |
| A6065 | Shackle With Key Pin | 17 | 11 | 4 | 600 | 4 |
| A6066 | Shackle With Key Pin | 36 | 15 | 5 | 1200 | 12 |
| A6067 | Shackle With Key Pin | 26 | 13 | 5 | 1200 | 15 |
| A6068 | Shackle With Key Pin | 40 | 15 | 6 | 2000 | 25 |
| A6069 | Shackle With Key Pin | 25 | 14 | 6 | 2000 | - |
| A6075 | Shackle With Key Pin And Extra Pin & Ring | 12 | 23 | 5 | 700 | 14 |
| A6076 | Shackle With Key Pin And Extra Pin & Ring | 15 | 33 | 5 | 700 | 17 |
| A6077 | Shackle With Key Pin And Extra Pin & Ring | 14 | 23 | 6 | 1500 | 27 |
| A6078 | Shackle With Key Pin And Extra Pin & Ring | 20 | 38 | 8 | 2000 | 49 |

Tii-Shackles

This simple and easy attachment system will save weight and give you more options for attaching blocks. Tii-Shackles feature an adjustable loop to make attachment quick and easy. Perfectly designed for use with our Tii-On blocks and Pad-Tii ranges.



| Part Number | Description | For Use With | Length mm | Diameter mm | Breaking Load kg | Weight g |
|-------------|-------------|----------------------|-----------|-------------|------------------|----------|
| A15100 | Tii-Shackle | A2020Tii | 100 | 1.5 | 200 | 0.6 |
| A15110 | Tii-Shackle | 20 & 30mm Tii-Blocks | 110 | 1.5 | 360 | 0.9 |
| A18140 | Tii-Shackle | 40 & 50mm Tii-Blocks | 140 | 1.8 | 455 | 0.9 |
| A20110 | Tii-Shackle | A2022Tii | 110 | 2 | 200 | 1.3 |
| A25110 | Tii-Shackle | A2030Tii | 110 | 2.5 | 300 | 4.8 |
| A25120 | Tii-Shackle | A2032Tii | 120 | 2.5 | 300 | - |
| A25130 | Tii-Shackle | A2040Tii | 130 | 3 | 400 | - |
| A40140 | Tii-Shackle | A2050Tii | 140 | 4 | 600 | - |
| A40180 | Tii-Shackle | A2060Tii | 180 | 4 | 600 | - |

Accessories



Tom Gillard - Fireball



ACCESSORIES

Wind Indicators

Aerovane Wind Indicators - Light, responsive and balanced for accurate wind indication.

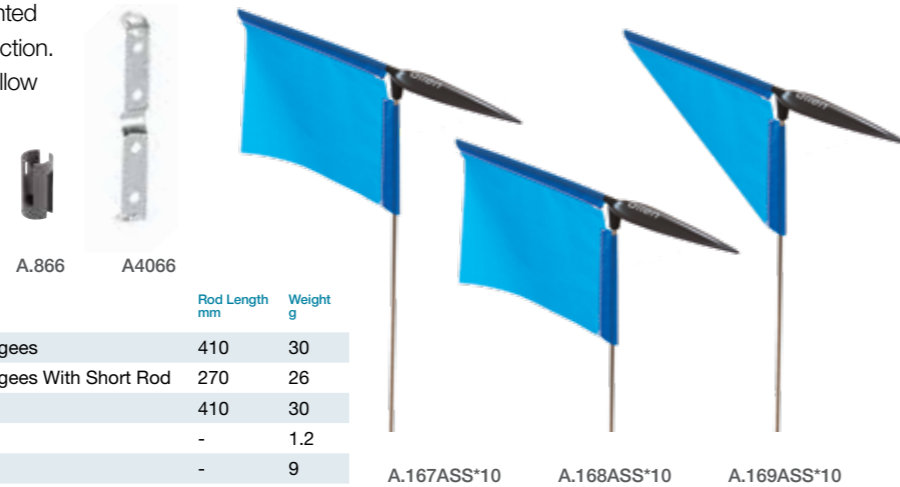
The Aerovane Mast Crane Adaptor is used to pair an A.171 with any tapped or un-tapped keelboat mast.



| Part Number | Description | Diameter mm | Length mm | Rod Length mm | Weight g |
|-------------|-------------------------------------|-------------|-----------|---------------|----------|
| A..71 | Aerovane - Mast Head Mounted | - | 190 | 270 | 50 |
| A..71M | Aerovane - Lower Mast Mounted | - | 250 | 330 | 50 |
| A..71R | Aerovane - Rail Mounted | - | 190 | 270 | 50 |
| A.171 | Large Aerovane - Mast Head Mounted | - | 250 | 330 | 50 |
| A.171M | Large Aerovane - Lower Mast Mounted | - | 250 | 330 | 50 |
| A.172 | Aerovane Adaptor | 5/16 UNC | 40 | - | 27 |

Burgeses

Fabric racing and cruising burgeses. Mounted at the top of a mast to establish wind direction. Available as a pack of 10 in Blue, Red, Yellow and Pink or assorted.



| Part Number | Description | Rod Length mm | Weight g |
|-------------|--|---------------|----------|
| A.167ASS*10 | 10 Assorted Colours Racing Burgeses | 410 | 30 |
| A.168ASS*10 | 10 Assorted Colours Racing Burgeses With Short Rod | 270 | 26 |
| A.169ASS*10 | 10 Assorted Cruising Burgeses | 410 | 30 |
| A.866 | Burgee Mast Peg | - | 1.2 |
| A4066 | Burgee Clip For Mast | - | 9 |

Inglefield Clips

Pressure die cast aluminium and in house injection moulded nylon clips for fastening two lines or shock cords together, such as flags or spinnaker bags.



| Part Number | Description | Length mm | Breaking Load Kg | Max Working Load Kg | Maximum Rope Diameter mm | Thickness mm | Weight g |
|-------------|-------------------------|-----------|------------------|---------------------|--------------------------|--------------|----------|
| A..75 | Small Clip (Flags) | 26 | 39 | 20 | 5 | 7 | 2 |
| A..74 | Medium Clip (Spinnaker) | 36 | 178 | 89 | 6 | 4 | 7 |
| A..74M | Moulded Inglefield Clip | 36 | 60 | 30 | 6 | 4 | 1 |
| A.174 | Large Clip (Spinnaker) | 50 | 266 | 133 | 10 | 10 | 19 |



Tidy Clips

High quality in house injection moulded nylon 6 tidy clips to store your spinnaker pole, oars or other loose parts securely.

| Part Number | Description | Tube Diameter mm | Base Size mm | Overall Height mm | Fixing Hole Size mm | Distance Between Fixings mm | Weight g |
|-------------|-------------------------------|------------------|--------------|-------------------|---------------------|-----------------------------|----------|
| A.754 | Extra Small Spring Clip | 19 | 19 x 14 x 4 | 25 | 3 | - | 0.5 |
| A.754W | Extra Small White Spring Clip | 19 | 19 x 14 x 4 | 25 | 3 | - | 0.5 |
| A.854 | Small Spring Clip | 22 | 22 x 16 x 5 | 29 | 3 | 8 | 2.5 |
| A.854W | Small White Spring Clip | 22 | 22 x 16 x 5 | 29 | 3 | 8 | 2.5 |
| A.254 | Medium Spring Clip | 25 | 26 x 15 x 4 | 34 | 3 | 9 | 3 |
| A.254W | Medium White Spring Clip | 25 | 26 x 15 x 4 | 34 | 3 | 9 | 3 |
| A.354 | Large Spring Clip | 32 | 30 x 18 x 4 | 46 | 4 | 11 | 7 |
| A.354W | Large White Spring Clip | 32 | 30 x 18 x 4 | 46 | 4 | 11 | 7 |
| A.554 | Extra Large Spring Clip | 38 | 35 x 19 x 4 | 55 | 4 | 12 | 10 |
| A.554W | Extra Large White Spring Clip | 38 | 35 x 19 x 4 | 55 | 4 | 12 | 10 |
| A.654 | Jumbo Spring Clip | 44 | 41 x 22 x 5 | 64 | 4 | 21 | 16 |

Nylon Hooks

High quality in-house injection moulded nylon 6 hooks will suit a variety of different applications. Nylon Hooks are available in black, white, grey and orange.



| Part Number | Description | Max Rope Diameter mm | Length mm | Weight g |
|-------------|--------------------|----------------------|-----------|----------|
| A..59 | Nylon 'Handy' Hook | 4 | 38 | 2 |
| A.259 | Nylon 'Handy' Hook | 6 | 47 | 5 |
| A.359 | Nylon Spring Hook | 8 | 53 | 5 |
| A.559 | Nylon 'Handy' Hook | 8 | 62 | 11 |
| A.659 | Nylon Spring Hook | 6 | 53 | 10 |

Stainless Steel Hooks

High quality formed and pressed 316 stainless steel hooks suitable for connecting a wide range of products, rope, wire etc. where the part needs to be readily removed either during or after sailing.



| Part Number | Description | Max Rope Diameter mm | Length mm | Weight g |
|-------------|------------------------------|----------------------|-----------|----------|
| A4057 | 40mm Round Boom Outhaul Hook | - | 90 | 33 |
| A4069 | Forged Twisted Hook | 12 | 60 | 29 |
| A4157 | Spinnaker Uphaul Hook | 4 | 54 | 9 |
| A4159 | 'S' Hook | 10 | 67 | 19 |
| A4259 | 'S' Hook With Keeper | 10 | 67 | 20 |
| A4369 | Hook With Nylon Retainer | 6 | 60 | 16 |
| A4459 | Welded 'S' Hook With Keeper | 10 | 61 | 27 |
| A4659 | Welded 'S' Hook | 10 | 61 | 27 |
| A4759 | Welded 'S' Hook | 12 | 67 | 32 |
| A4869 | Forged Hook | 5 | 52 | 23 |
| A4869K | Forged Hook With Keeper | 5 | 52 | 24.1 |
| A4969 | Forged Twisted Hook | 5 | 52 | 23 |
| A731705 | Carbine Hook | 8 | 50 | - |
| A731705-E | Carbine Hook With Eye | 7.5 | 50 | - |
| A731706 | Carbine Hook | 9 | 60 | - |
| A731706-E | Carbine Hook With Eye | 8 | 60 | - |
| A731707 | Carbine Hook | 10 | 70 | - |
| A731707-E | Carbine Hook With Eye | 9 | 70 | - |
| A731708 | Carbine Hook | 12 | 80 | - |
| A731708-E | Carbine Hook With Eye | 11 | 80 | - |
| A731709 | Carbine Hook | 13 | 90 | - |
| A731709-E | Carbine Hook With Eye | 12 | 90 | - |
| A731710 | Carbine Hook | 15 | 100 | - |
| A731710-E | Carbine Hook With Eye | 14 | 100 | - |
| D92058 | Twisted Stainless Steel Hook | 8 | 55 | 25 |

Trapeze Harness

For many years the Allen development team were keen to design a trapeze system that improves the safety of the sport and reduces the risk of entrapment by the traditional hook-on trapeze harness.

Designer Julian Bethwaite had also been thinking along the same lines and had produced a prototype of the Keyball trapeze system. In conjunction with Bethwaite Design, Allen has developed the concept into a sleek and innovative design, eliminating the hook altogether and creating a safe intuitive solution that really works.

The Allen Keyball system removes the traditional hook from the trapeze harness and replaces it with a moulded plastic socket. The Keyball socket has no sharp edges or protruding parts meaning there is a reduced risk of entrapment for the user. By wearing a Keyball harness you will also limit the chances of damaging the equipment on the boat, users are less likely to rip the sail or pierce the deck/hull of a boat because of the lack of pointy edges.

Banks Sails Radial Keyball Harness - Using sailmaking techniques Banks Sails developed the Radial Harness, probably the most comfortable harness on the market. The load from the Keyball is spread by radial patches completely eliminating creasing around the back. The Radial Harness offers a range of adjustment around the waist, shoulders and groin.

Banks Sails Skiff Keyball Harness - The Skiff Harness is a totally new design. It has been developed alongside top sailors to offer the ultimate racing performance. There is no waist adjustment and therefore it is lean of rope and webbing straps. This harness is ideal for the modern high-performance dinghy crew and is exceptionally light and comfortable.
* Harness does not include Keyball handle

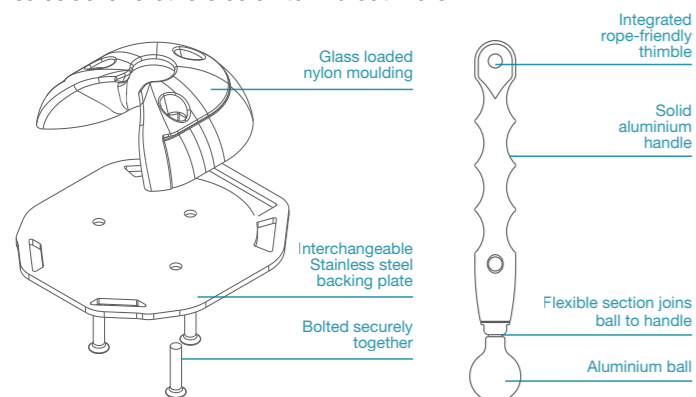
Demo Harness are available upon request. Please contact sales@allenbrothers.co.uk to find out more.



Radial Keyball Harness



Skiff Keyball Harness



| Part Number | Description | Widest Point mm | Leg Circumference mm |
|-------------------------|-----------------------------------|-----------------|----------------------|
| KEYBALLHARNESS-RAD-S | Radial Keyball Harness Small | 92 | 57 |
| KEYBALLHARNESS-RAD-M | Radial Keyball Harness Medium | 1020 | 67 |
| KEYBALLHARNESS-RAD-L | Radial Keyball Harness Large | 110 | 72 |
| KEYBALLHARNESS-SKIFF-S | Skiff Keyball Harness Small | 98 | 64 |
| KEYBALLHARNESS-SKIFF-M | Skiff Keyball Harness Medium | 102 | 66 |
| KEYBALLHARNESS-SKIFF-L | Skiff Keyball Harness Large | 108 | 70 |
| KEYBALLHARNESS-SKIFF-XL | Skiff Keyball Harness Extra Large | 116 | 76 |



Keyball Trapeze Equipment

Various accessories for trapeze wires and harnesses



| Part Number | Description | Maximum Rope Diameter mm | Webbing Size mm | Length mm | Weight g |
|-------------|--|--------------------------|-----------------|-----------|----------|
| A4043 | Keyball Trapeze System Handle (Pair) | 5 | - | 160 | 141 |
| A4043C | Keyball Trapeze System - Moulding | - | - | - | 73 |
| A4043-KIT | Keyball Trapeze System - Complete With 2 Handles | - | 45/20 | - | 456 |
| A4043N | Keyball Trapeze System - Moulding With Narrow B/P | - | 45/20 | - | 305 |
| A4043N-1 | Keyball Trapeze System - Moulding With Square B/P | - | - | - | 292 |
| A4043W | Keyball Trapeze System - Moulding With Wide B/P | - | 45/20 | - | 406 |
| A4043W-1 | Keyball Trapeze System - Moulding With Wire Buckle | 6 | 45 | - | 372 |
| A4043W-KIT | Keyball Trapeze System - Complete With 2 Handles | - | 45/20 | - | - |

Trapeze Hardware

A carefully designed range of accessories for trapeze and harness systems.



| Part Number | Description | Maximum Rope Diameter mm | Webbing Size mm | Length mm | Maximum Wire Diameter mm | Weight g |
|-------------|--|--------------------------|-----------------|-----------|--------------------------|----------|
| A..60 | Nylon Trapeze Handle 'T' Type | 3 | - | 54 | 3 | 13 |
| A..62 | Trapeze Disc Handle | 4 | - | - | - | - |
| A4040 | Trapeze Harness Buckle With Strap Adjusters | - | 40 | - | - | 170 |
| A4161LZ | Narrow Trapeze Ring With Plain Bearing Block | 6 | - | 133 | - | 54 |
| A4261 | Wide Trapeze Ring With 20mm B/B Block And S/S Ring | 2.5 - 6 | - | 137 | - | 68 |
| A4461 | 5mm Wire Trapeze Ring | - | - | - | - | 64 |
| A4461-6 | 6mm Wire Trapeze Ring | - | - | - | - | 90 |
| A6180 | Stainless Steel Trapeze Terminal With Eye | 1 - 3 | - | - | - | - |
| C253 | Clam Cleat Trapeze M6 Ali Silver | 4 - 8 | - | 89 | - | 46 |
| C253A | Clam Cleat Trapeze M6 Anodized | 4 - 8 | - | 89 | - | 46 |

Ball Stoppers

High quality in-house injection moulded polypropylene ball stoppers suitable for numerous applications. Available in 4 sizes and 8 colours red, blue, green, purple, yellow, black, white and grey. Also available to order in assorted colour packs.



| Part Number | Description | Line Diameter mm | Size mm |
|-------------|--------------------------|------------------|---------|
| A..22 | Small Ball Stopper | 4 | 13 |
| A.222 | Medium Ball Stopper | 5 | 19 |
| A.122 | Large Ball Stopper | 7 | 25 |
| A.322 | Extra Large Ball Stopper | 8 | 31 |
| A.271 | Black Tube Rope Stopper | 5 | 17 |

Boat Hook



| Part Number | Description | Diameter mm | Weight g |
|-------------|-----------------------|-------------|----------|
| A.361 | Moulded Boat Hook End | 22 | 16.8 |

Rowlocks & Sockets

High quality in-house injection moulded nylon 6 rowlocks to suit oars from 38mm to 45mm. Side and centre mount rowlock sockets in black or white.



| Part Number | Description | To Suit Oar Diameter mm | Fixing Hole Size mm | Rowlock Diameter mm | Fixing Hole Centres mm | Weight g | Colour |
|-------------|---|-------------------------|---------------------|---------------------|------------------------|----------|--------|
| A.290 | Small Nylon Rowlock | 38 | - | 19 | - | 33 | Black |
| A.290W | Small Nylon Rowlock - white | 38 | - | 19 | - | 33 | White |
| A.390 | Large Gooseneck Nylon Rowlock | 45 | - | 19 | - | 40 | Black |
| A.390W | Large Gooseneck Nylon Rowlock - white | 45 | - | 19 | - | 40 | White |
| A.291 | Small Nylon Rowlock Socket | - | 4 | 19 | 49 | 11 | Black |
| A.291W | Small Nylon Rowlock Socket - white | - | 4 | 19 | 49 | 11 | White |
| A.391 | Medium Nylon Rowlock Socket | - | 4 | 19 | 49 | 20 | Black |
| A.391W | Medium Nylon Rowlock Socket - white | - | 4 | 19 | 49 | 20 | Black |
| A.391SC | Open Ended Nylon Rowlock Socket | - | 4 | 19 | 49 | 20 | Black |
| A.392 | Side Mount Nylon Rowlock Socket | - | 4 | 19 | 37 & 55 | 35 | Black |
| A.392W | Side Mount Nylon Rowlock Socket - white | - | 4 | 19 | 37 & 55 | 35 | White |
| A.393 | Rowlock Socket Wedge For A.392 | - | 4 | - | 37 & 55 | 8 | |

Toe Strap Plates & Buckles

Fixing plates for toe straps and stainless steel buckles for straps



| Part Number | Description | Fixing Hole Diameter mm | Length mm | Width mm | Thickness mm | Distance Between Fixing Hole mm | Inside Length mm | Weight g |
|-------------|----------------------------|-------------------------|-----------|----------|--------------|---------------------------------|------------------|----------|
| A..99B | Toe Strap Plate Black | 5 | 47 | 19 | 5 | 28 | - | 3.5 |
| A..99G | Toe Strap Plate Grey | 5 | 47 | 19 | 5 | 28 | - | 3.5 |
| A..99LG | Toe Strap Plate Light Grey | 5 | 47 | 19 | 5 | 28 | - | 3.5 |
| A..99RB-CAN | Toe Strap Plate Royal Blue | 5 | 47 | 19 | 5 | 28 | - | 3.5 |
| A..99W | Toe Strap Plate White | 5 | 47 | 19 | 5 | 28 | - | 3.5 |
| A.199 | Toe Strap Plate White | 5 | 50 | 18 | 5.25 | 34 | - | 5 |
| A..38 | Lacing Strap Small | 5 | 58 | 16 | 5 | 43 | 26 | 4 |
| A..38W | Lacing Strap Small White | 5 | 58 | 16 | 5 | 43 | 26 | 4 |
| A.138 | Lacing Strap Medium | 5 | 66 | 16 | 5 | 51 | 35 | 5 |
| A.238 | Lacing Strap Large | 5 | 74 | 16 | 5 | 58 | 48 | 7 |



| Part Number | Description | Fixing Hole Size mm | Length mm | Width mm | Thickness mm | Distance Between Fixing Hole mm | Inside Length mm | Weight g |
|-------------|----------------------------------|---------------------|-----------|----------|--------------|---------------------------------|------------------|----------|
| A4030 | Toe Strap Buckle Stainless Steel | - | 57 | 38 | 2 | - | - | 24 |
| A4050 | Buckle And Fixing Plate | 5 | 73 | 57 | 2 | 38 x 25 | 44 | 48 |
| A4099 | Toe Strap Plate Stainless Steel | 5 | 51 | 16 | 2 | 28 | - | 9.5 |

Splicing Kit



| Part Number | Description | Length mm | Diameter mm | Maximum Rope Diameter mm |
|---------------|-----------------------|-----------|-------------|--------------------------|
| 4MMS.NEEDLE | 4mm Splicing Needle | 115 | 5 | 4 |
| 5.5MMS.NEEDLE | 5.5mm Splicing Needle | 120 | 6 | 5.5 |
| S034L | Small Splicing Needle | 170 | 2.5 | - |

Race Packs



Laser - Credit: Tim Olin

Allen Race Packs are an easy and class legal way to upgrade your control systems on your Laser ® dinghy. Go to <https://www.youtube.com/watch?v=fgveQKkOQI4&t> to watch the instructional rigging guide or scan the QR codes below.



A8331

Part Number Description

A8331 Dinghy Kicker Pack

A8332 Dinghy Downhaul And Outhaul Pack



A8332

Parts Included

SA.873, A5861, A4380F-HLK, A2023, Rope

A2020, A2021HK, A5849, A5848, A.222W, A..22W, Rope

Spare & Replacement Parts



A.186

A4903

ARBALL1/4D

ARBALL/4T
ARBALL5T

ASP2158L
ASP2158R
ASP2224L
ASP2224R

SA4374

SA4574

| Part Number | Description | For Use With | Width mm | Length mm | Fixing Hole Centres mm | Weight g | Outside Diameter mm | Inside Diameter mm |
|-------------|--|---------------------------|----------|-----------|------------------------|----------|---------------------|--------------------|
| A.186 | Sheave Cheek | A..86 | 30 | 32 | 14 x 25 | 4 | 600 | 1 |
| A4903 | Forestay Shield | - | - | - | - | 15.4 | 74 | 20 |
| ARBALL1/4D | Delrin Balls | Mainsheet Jammers | - | - | - | - | 6.35 | - |
| ARBALL1/4T | Torlon Balls | Low & Maxi Traveller Cars | - | - | - | - | 6.35 | - |
| ARBALL5T | Torlon Balls | Mini Traveller Cars | - | - | - | - | 5 | - |
| ASP2158L | Left Side Replacement Spring | A..76 | - | - | - | 0.5 | - | - |
| ASP2158R | Right Side Replacement Spring | A..76 | - | - | - | 0.5 | - | - |
| ASP2224L | Left Side Replacement Spring | A..77 | - | - | - | 0.5 | - | - |
| ASP2224R | Right Side Replacement Spring | A..77 | - | - | - | 0.5 | - | - |
| SA4374 | Fairlead For Sliding Cars | A4274 Range | - | - | - | 29 | 74 x 25 | - |
| SA4574 | Plunger Pin & Spring For Sliding Fairleads | A4274, A4474 | - | - | - | - | 5 | - |

Vent Cover

Skin Fitting Vent Cover



A4037

| Part Number | Description | Fixing Hole Diameter mm | Fixing Hole Centres mm | Height mm | Length mm | Width mm |
|-------------|-------------------------|-------------------------|------------------------|-----------|-----------|----------|
| A4037 | Skin Fitting Vent Cover | 4 | 48 x 43 | 15 | 56 | 18.3 |

Product Code Index

PRODUCT CODE INDEX



| PRODUCT CODE | PAGE | PRODUCT CODE | PAGE | PRODUCT CODE | PAGE |
|--------------|------|--------------|------|----------------|------|
| A..26-2 | 42 | A..93LZ | 28 | A.181 | 41 |
| A..26-260 | 42 | A..94 | 63 | A.185 | 32 |
| A..26-3 | 42 | A..95 | 78 | A.186 | 91 |
| A..26-4 | 42 | A..96 | 78 | A.193 | 35 |
| A..28 | 62 | A..99B | 89 | A.194 | 35 |
| A..30 | 43 | A..99G | 89 | A.199 | 89 |
| A..31 | 70 | A..99LG | 89 | A.215 | 32 |
| A..38 | 89 | A..99RB-CAN | 89 | A.216 | 32 |
| A..38W | 89 | A..99W | 89 | A.217 | 32 |
| A..39 | 55 | A.101 | 77 | A.219 | 32 |
| A..40 | 55 | A.102 | 77 | A.220 | 32 |
| A..40-12 | 55 | A.119 | 32 | A.221 | 74 |
| A..45 | 32 | A.120 | 61 | A.222 | 88 |
| A..46 | 32 | A.122 | 88 | A.223 | 54 |
| A..51 | 77 | A.123 | 54 | A.226-1 | 43 |
| A..52 | 52 | A.124 | 41 | A.226-1000 | 43 |
| A..54 | 70 | A.129 | 55 | A.226-2 | 43 |
| A..56 | 79 | A.130 | 41 | A.226-222Black | 43 |
| A..59 | 85 | A.131 | 70 | A.226-230 | 43 |
| A..60 | 87 | A.132 | 65 | A.226-330 | 43 |
| A..61 | 47 | A.134 | 53 | A.226-5 | 43 |
| A..62 | 87 | A.134RB-CAN | 53 | A.229 | 55 |
| A..71 | 83 | A.135 | 47 | A.232 | 65 |
| A..71M | 83 | A.136 | 43 | A.237 | 48 |
| A..71R | 83 | A.137 | 48 | A.238 | 89 |
| A..74 | 84 | A.138 | 89 | A.239 | 55 |
| A..74M | 84 | A.139 | 55 | A.244 | 77 |
| A..75 | 84 | A.144 | 77 | A.245 | 66 |
| A..76 | 34 | A.144B | 77 | A.246 | 41 |
| A..76-496 | 34 | A.146 | 41 | A.248 | 47 |
| A..77 | 34 | A.147 | 64 | A.249 | 79 |
| A..77-497 | 34 | A.148 | 47 | A.251 | 77 |
| A..80A | 32 | A.150 | 32 | A.252 | 52 |
| A..80B | 32 | A.150-6 | 32 | A.253 | 49 |
| A..81 | 41 | A.151 | 77 | A.254 | 84 |
| A..82-10 | 23 | A.152 | 52 | A.254W | 84 |
| A..82-14 | 23 | A.153 | 53 | A.256 | 79 |
| A..82-8 | 23 | A.154 | 70 | A.257 | 70 |
| A..83 | 32 | A.155 | 54 | A.258 | 78 |
| A..84 | 32 | A.156 | 79 | A.259 | 85 |
| A..85 | 32 | A.158 | 78 | A.271 | 88 |
| A..86-6 | 32 | A.165A | 28 | A.278 | 28 |
| A..86-8 | 32 | A.165LZ | 28 | A.278-74 | 28 |
| A..87-15 | 23 | A.165PS | 28 | A.278-74BB | 28 |
| A..87-20 | 23 | A.167ASS*10 | 84 | A.278BB | 28 |
| A..87-25 | 23 | A.168ASS*10 | 84 | A.281 | 41 |
| A..87-30 | 23 | A.169ASS*10 | 84 | A.289 | 78 |
| A..87-35 | 23 | A.171 | 83 | A.290 | 88 |
| A..87-50 | 23 | A.171M | 83 | A.290W | 88 |
| A..87-75 | 23 | A.172 | 83 | A.291 | 88 |
| A..87-90 | 23 | A.174 | 84 | A.291W | 88 |
| A..89 | 78 | A.178 | 28 | A.293 | 35 |
| A..90 | 78 | A.178-74 | 28 | A.294 | 35 |
| A..91 | 78 | A.178-74BB | 28 | A.302 | 43 |
| A..92 | 78 | A.178BB | 28 | A.303 | 43 |
| A..93 | 28 | A.179BBO | 28 | A.315 | 32 |

| PRODUCT CODE | PAGE |
|---------------|------|
| 1619 | 73 |
| 52802 | 54 |
| 4MMS.NEEDLE | 89 |
| 5.5MMS.NEEDLE | 89 |
| A...3 | 49 |
| A...4 | 62 |
| A...5 | 62 |
| A...6 | 62 |
| A...6B | 62 |
| A...6H | 62 |
| A...7 | 62 |
| A...8 | 62 |
| A...8A | 62 |
| A...9 | 62 |
| A...9B | 62 |
| A...9H | 62 |
| A..15 | 62 |
| A..15B | 62 |
| A..16 | 62 |
| A..16B | 62 |
| A..21 | 74 |
| A..21SS | 74 |
| A..22 | 88 |
| A..26-1 | 42 |

| PRODUCT CODE | PAGE | PRODUCT CODE | PAGE | PRODUCT CODE | PAGE | PRODUCT CODE | PAGE |
|--------------|------|--------------|------|--------------|------|--------------|-------|
| A.322 | 88 | A.454 | 72 | A.619 | 74 | A.826B-3.0 | 43 |
| A.323 | 54 | A.455 | 30 | A.622 | 25 | A.843 | 76 |
| A.323W | 54 | A.458 | 78 | A.625 | 64 | A.849 | 79 |
| A.326-1 | 43 | A.464 | 66 | A.626 | 42 | A.851 | 77 |
| A.326-2 | 43 | A.466 | 66 | A.626-1 | 42 | A.854 | 84 |
| A.329 | 55 | A.471 | 61 | A.637 | 48 | A.854W | 84 |
| A.337 | 48 | A.471TOP | 61 | A.638 | 48 | A.866 | 84 |
| A.337-BAG | 48 | A.472 | 66 | A.643 | 76 | A.886 | 77 |
| A.338 | 48 | A.473 | 67 | A.649 | 79 | A.893 | 35 |
| A.339 | 55 | A.473-1 | 67 | A.651 | 77 | A.916 | 43 |
| A.343 | 76 | A.473-10 | 67 | A.654 | 84 | A.924 | 42 |
| A.344 | 77 | A.473-5 | 67 | A.656 | 42 | A.932 | 65 |
| A.345 | 66 | A.473-C | 67 | A.656-UNANOD | 42 | A.936 | 43 |
| A.346 | 41 | A.473-S | 67 | A.658 | 78 | A.937 | 43 |
| A.349 | 79 | A.478 | 77 | A.659 | 85 | A.940 | 43 |
| A.351 | 77 | A.480 | 63 | A.676 | 34 | A.946 | 43 |
| A.354 | 84 | A.481 | 41 | A.676-496 | 34 | A.951-10 | 77 |
| A.354W | 84 | A.485 | 74 | A.677 | 34 | A.958 | 78 |
| A.356 | 79 | A.488 | 35 | A.677-497 | 34 | A.980 | 73 |
| A.357 | 70 | A.490 | 63 | A.681 | 41 | A.993 | 35 |
| A.358 | 78 | A.493 | 35 | A.726-4 | 43 | A1034 | 30 |
| A.359 | 85 | A.493-993 | 35 | A.726-5 | 43 | A1049 | 79 |
| A.360 | 66 | A.496 | 35 | A.736 | 43 | A1058 | 78 |
| A.361 | 88 | A.497 | 35 | A.738 | 43 | A1086 | 32 |
| A.363 | 66 | A.519 | 74 | A.743 | 76 | A1086B | 32 |
| A.378 | 28 | A.519-10 | 74 | A.749 | 79 | A1086SP | 32 |
| A.378BB | 28 | A.520 | 74 | A.751 | 77 | A1086SP-B | 32 |
| A.381 | 41 | A.520-10 | 74 | A.754 | 84 | A1158 | 78 |
| A.386 | 32 | A.526-1 | 42 | A.754W | 84 | A1231 | 54 |
| A.389 | 78 | A.526-2 | 42 | A.758 | 78 | A1232 | 54 |
| A.390 | 88 | A.526TA | 42 | A.762 | 35 | A1375 | 31 |
| A.390W | 88 | A.535 | 47 | A.781 | 41 | A1375-A4102 | 31 |
| A.391 | 88 | A.536 | 43 | A.791 | 64 | A1375-S | 31 |
| A.391SC | 88 | A.537 | 48 | A.791-470SA | 64 | A1376 | 31 |
| A.391W | 88 | A.537-BAG | 48 | A.791SA | 64 | A1377 | 31 |
| A.392 | 88 | A.538 | 48 | A.793 | 35 | A1378 | 31 |
| A.392W | 88 | A.539 | 55 | A.802 | 79 | A1396 | 35 |
| A.393 | 88 | A.539-14 | 55 | A.803 | 79 | A1397 | 35 |
| A.396 | 35 | A.539A | 56 | A.804 | 79 | A1438 | 81 |
| A.397 | 35 | A.543 | 76 | A.805 | 79 | A15100 | 82 |
| A.402 | 43 | A.549 | 79 | A.806 | 79 | A15110 | 16&82 |
| A.403 | 43 | A.554 | 84 | A.808 | 79 | A15110 | 22 |
| A.419L | 77 | A.554W | 84 | A.810 | 79 | A1737 | 48 |
| A.419S | 77 | A.558 | 78 | A.812 | 79 | A1785 | 75 |
| A.420 | 74 | A.558DW | 78 | A.814 | 79 | A18140 | 16&82 |
| A.423 | 54 | A.559 | 85 | A.816-0.9 | 43 | A18140 | 22 |
| A.424 | 54 | A.575 | 76 | A.816-1500 | 43 | A1837 | 48 |
| A.435 | 47 | A.581 | 41 | A.816-3.0 | 43 | A1886 | 32 |
| A.439 | 55 | A.588 | 35 | A.818 | 79 | A1923 | 74 |
| A.439-14 | 55 | A.593 | 35 | A.819-0.9 | 43 | A1937 | 48 |
| A.439A | 56 | A.593-893 | 35 | A.819-3.0 | 43 | A20110 | 82 |
| A.449 | 79 | A.597 | 35 | A.824 | 42 | A2020 | 6 |
| A.450 | 30 | A.602 | 70 | A.826-2 | 43 | A2020-4035 | 7 |
| A.450A | 30 | A.612 | 32 | A.826-3 | 43 | A2020-4036 | 7 |
| A.451 | 77 | A.613 | 32 | A.826-5 | 43 | A2020HL | 13 |
| A.452 | 52 | A.614 | 32 | A.826B-1.5 | 43 | A2020HL | 6 |

| PRODUCT CODE | PAGE | PRODUCT CODE | PAGE | PRODUCT CODE | PAGE | PRODUCT CODE | PAGE |
|-----------------|------|-----------------|-------|-----------------|-------|--------------|---------|
| A2020HL-4036 | 13 | A2026-PROFIX | 9 | A2036M | 15 | A2060 | 20 |
| A2020HL-4036 | 6 | A2027 | 9 | A2036P | 11 | A2060C | 20 |
| A2020LZ | 7 | A2027NB | 9 | A2036-PROFIX | 16 | A2060Tii | 20 |
| A2020P | 11 | A2028 | 8 | A2037 | 16 | A2060Tii | 22 |
| A2020P-4035 | 11 | A2028HL | 8 | A2038 | 16 | A2062 | 20 |
| A2020P-4036 | 11 | A2028HL | 13 | A2038HL | 13 | A2063 | 20 |
| A2020PLZ | 11 | A2029 | 8 | A2038HL | 16 | A2064 | 21 |
| A2020PSC | 11 | A2030 | 14 | A2039 | 16 | A2065 | 21 |
| A2020PSHK | 11 | A2030-40 | 16 | A2039-CAM | 15 | A2066 | 21 |
| A2020PTii | 11 | A2030F | 14 | A2039FIDDLE | 15 | A2067 | 21 |
| A2020SC | 7 | A2030F-873 | 14 | A2040 | 17 | A2068 | 21 |
| A2020SHK | 7 | A2030HL | 13 | A2040-4222ASS | 17 | A2068 | 25 |
| A2020TII | 6 | A2030HL | 14 | A2040B | 17 | A2069 | 21 |
| A2020TII | 22 | A2030HLF | 13 | A2040HK | 17 | A2069B | 21 |
| A2020XHL-BLACK | 7 | A2030HLF | 14 | A2040LZ | 17 | A2077 | 41 |
| A2020XHL-BLACK | 7&12 | A2030LZ | 15 | A2040SC | 17 | A2121 | 9 |
| A2020XHL-BLUE | 7 | A2030P | 11 | A2040SC-676 | 18 | A2121P | 11 |
| A2020XHL-BLUE | 7&12 | A2030PF | 11 | A2040SC-677 | 18 | A2122 | 9 |
| A2020XHL-GOLD | 7 | A2030PF-873 | 11 | A2040Tii | 17 | A2123 | 9 |
| A2020XHL-GOLD | 7&12 | A2030PLZ | 11 | A2040Tii | 22 | A2126M | 8 |
| A2020XHL-ORANGE | 7 | A2030PSC | 11 | A2040XHL-BLACK | 12&18 | A2131 | 16 |
| A2020XHL-ORANGE | 7&12 | A2030PSHK | 11 | A2040XHL-BLUE | 12&18 | A2132 | 16 |
| A2020XHL-PURPLE | 7 | A2030SC | 15 | A2040XHL-GOLD | 12&18 | A2133 | 16 |
| A2020XHL-PURPLE | 7&12 | A2030SHK | 15 | A2040XHL-ORANGE | 12&18 | A2133-677 | 16 & 39 |
| A2020XHL-SILVER | 7 | A2030Tii | 14 | A2040XHL-PURPLE | 12&18 | A2133-77 | 16 & 39 |
| A2020XHL-SILVER | 7&12 | A2030Tii | 22 | A2040XHL-SILVER | 12&18 | A2136M | 15 |
| A2021 | 6 | A2030TiiHL | 13 | A2041 | 18 | A2140 | 24 |
| A2021F | 7 | A2030TiiHL | 14 | A2041-676 | 18 | A2150 | 24 |
| A2021HK | 7 | A2030XHL-BLACK | 12&14 | A2041-677 | 18 | A2150C | 24 |
| A2021P | 11 | A2030XHL-BLUE | 12&14 | A2041-677HK | 18 | A2150FIDDLE | 24 |
| A2021PHK | 11 | A2030XHL-GOLD | 12&14 | A2042 | 18 | A2151 | 25 |
| A2021SC | 7 | A2030XHL-ORANGE | 12&14 | A2043 | 19 | A2159 | 21 |
| A2022 | 8 | A2030XHL-PURPLE | 12&14 | A2043-676 | 19 | A2159 | 25 |
| A2022F | 8 | A2030XHL-SILVER | 12&14 | A2043-677 | 19 | A2160 | 24 |
| A2022HL | 8 | A2031 | 15 | A2044 | 19 | A2160C | 24 |
| A2022HL | 13 | A2031F | 15 | A2044-676 | 19 | A2160FIDDLE | 24 |
| A2022LZ | 8 | A2031P | 11 | A2044-677 | 19 | A2160WAVE | 25 |
| A2022P | 11 | A2031SC | 15 | A2044-677HK | 19 | A2161 | 25 |
| A2022SC | 8 | A2031XHL-873 | 15 | A2045 | 18 | A2169 | 21 |
| A2022Tii | 8 | A2032 | 15 | A2046 | 17 | A2169 | 25 |
| A2022Tii | 22 | A2032HL | 13 | A2047 | 18 | A2345 | 24 |
| A2023 | 8 | A2032HL | 15 | A2050 | 20 | A2360 | 24 |
| A2023HK | 8 | A2032P | 11 | A2050C | 20 | A2360WAVE | 25 |
| A2023P | 11 | A2032Tii | 15 | A2050Tii | 20 | A25110 | 82 |
| A2024 | 9 | A2032TII | 22 | A2050Tii | 22 | A25120 | 82 |
| A2024-677 | 9 | A2033 | 15 | A2052 | 20 | A25130 | 82 |
| A2024F | 9 | A2033P | 11 | A2053 | 20 | A3086 | 32 |
| A2024HL | 9 | A2034 | 15 | A2054 | 21 | A3210 | 60 |
| A2024HL | 13 | A2034-676 | 16 | A2054B | 18 | A3211 | 60 |
| A2024P | 11 | A2034HL | 13 | A2054HK | 21 | A3212 | 60 |
| A2025 | 9 | A2034HL | 15 | A2055 | 21 | A3302 | 45 |
| A2025-677 | 9 | A2034P | 11 | A2056 | 21 | A3342 | 32 |
| A2025P | 11 | A2035 | 16 | A2057 | 21 | A3342XHL | 32 |
| A2026 | 6 | A2035-676 | 16 | A2058 | 21 | A3343 | 32 |
| A2026M | 6 | A2035P | 11 | A2058 | 25 | A4001E | 47 |
| A2026P | 11 | A2036 | 15 | A2059 | 21 | A4001-EPS | 47 |

| PRODUCT CODE | PAGE | PRODUCT CODE | PAGE | PRODUCT CODE | PAGE | PRODUCT CODE | PAGE |
|--------------|------|--------------|------|--------------|------|--------------|------|
| A4001S | 47 | A4043N | 87 | A4155KIT | 54 | A4288 | 50 |
| A4001W | 47 | A4043N-1 | 87 | A4157 | 85 | A4289 | 44 |
| A4002 | 65 | A4043W | 87 | A4159 | 85 | A4296 | 27 |
| A4003 | 49 | A4043W-1 | 87 | A4160 | 60 | A4298 | 72 |
| A4003F | 49 | A4043W-KIT | 87 | A4161LZ | 87 | A4298TOP | 72 |
| A4003H | 49 | A4048 | 81 | A4165 | 28 | A4301 | 29 |
| A4003M | 49 | A4050 | 89 | A4165E | 28 | A4302 | 61 |
| A4003MS | 49 | A4052 | 52 | A4165SC | 28 | A4314 | 67 |
| A4004 | 69 | A4057 | 85 | A4171 | 47 | A4314R | 67 |
| A4009C | 61 | A4066 | 84 | A4171S | 47 | A4317 | 74 |
| A4009K | 61 | A4068 | 27 | A4172 | 58 | A4318 | 75 |
| A4009K-10 | 61 | A4069 | 85 | A4178 | 29 | A4328 | 81 |
| A4009LZ | 61 | A4073 | 30 | A4178E | 29 | A4331 | 70 |
| A4009LZ-10 | 61 | A4073 | 30 | A4181 | 29 | A4332 | 65 |
| A40140 | 82 | A4073 | 30 | A4182 | 52 | A4334 | 34 |
| A4016 | 65 | A4073 | 50 | A4184 | 67 | A4339 | 55 |
| A4017-23 | 75 | A4077 | 34 | A4192 | 65 | A4348 | 80 |
| A4017-35 | 75 | A4078 | 29 | A4196 | 27 | A4354 | 47 |
| A4017-42 | 75 | A4080 | 29 | A4198 | 72 | A4369 | 85 |
| A4017-45 | 75 | A4081 | 29 | A4202 | 61 | A4371 | 49 |
| A4017-51 | 75 | A4086 | 32 | A4203 | 65 | A4371L | 49 |
| A4017-54 | 75 | A4086B | 32 | A4203R | 65 | A4372 | 58 |
| A4017-60 | 75 | A4088 | 30 | A4216 | 65 | A4376 | 50 |
| A4017C-38 | 75 | A4088 | 50 | A4222 | 61 | A4377 | 50 |
| A40180 | 82 | A4088-6.5 | 50 | A4225 | 47 | A4379 | 26 |
| A4018-23 | 75 | A4089 | 47 | A4228 | 81 | A4379HK | 26 |
| A4018-35 | 75 | A4092 | 73 | A4229-6 | 75 | A4379HK-90 | 27 |
| A4018-42 | 75 | A4093 | 29 | A4229-8 | 75 | A4382 | 52 |
| A4018-45 | 75 | A4098 | 73 | A4232 | 65 | A4383 | 66 |
| A4018-51 | 75 | A4099 | 89 | A4233 | 66 | A4385 | 66 |
| A4018-54 | 75 | A4101 | 16 | A4239 | 55 | A4388 | 30 |
| A4018C-38 | 75 | A4102 | 61 | A4241 | 63 | A4388 | 30 |
| A4019 | 74 | A4106 | 75 | A4244 | 45 | A4388 | 30 |
| A4019S | 74 | A4107 | 63 | A4245 | 66 | A4388 | 50 |
| A4020 | 74 | A4107S | 63 | A4246 | 41 | A4389 | 44 |
| A4020S | 74 | A4111 | 16 | A4251 | 9 | A4389J | 44 |
| A4024 | 58 | A4114-1 | 61 | A4252 | 52 | A4389M | 44 |
| A4025 | 47 | A4114-2 | 61 | A4255 | 54 | A4389Tii | 44 |
| A4025S | 47 | A4114-3 | 61 | A4258 | 70 | A4393 | 27 |
| A4028 | 81 | A4116 | 65 | A4259 | 85 | A4393HK | 27 |
| A4030 | 89 | A4117L | 75 | A4260 | 60 | A4396 | 27 |
| A4032 | 65 | A4117S | 75 | A4260-1 | 60 | A4401 | 29 |
| A4033 | 30 | A4120 | 74 | A4260-2 | 60 | A4409 | 62 |
| A4034 | 30 | A4121 | 74 | A4261 | 87 | A4413 | 65 |
| A4035 | 51 | A4124 | 63 | A4265 | 28 | A4416 | 65 |
| A4035-6 | 51 | A4128 | 81 | A4272 | 59 | A4417 | 65 |
| A4036 | 51 | A4138 | 81 | A4272-148 | 59 | A4417L | 75 |
| A4037 | 91 | A4139 | 55 | A4272S | 59 | A4417S | 75 |
| A4038 | 51 | A4141 | 63 | A4274 | 46 | A4420 | 74 |
| A4039 | 55 | A4141-5 | 63 | A4274-76 | 46 | A4428 | 81 |
| A4040 | 87 | A4142-6.5 | 65 | A4274TZ | 46 | A4431 | 70 |
| A4041 | 63 | A4146 | 41 | A4276 | 50 | A4439 | 55 |
| A4042 | 65 | A4148 | 80 | A4279 | 26 | A4439-14 | 55 |
| A4043 | 87 | A4152 | 52 | A4282 | 52 | A4452 | 52 |
| A4043C | 87 | A4153 | 53 | A4283 | 69 | A4459 | 85 |
| A4043-KIT | 87 | A4155 | 54 | A4288 | 30 | A4461 | 87 |

| PRODUCT CODE | PAGE | PRODUCT CODE | PAGE | PRODUCT CODE | PAGE | PRODUCT CODE | PAGE |
|---------------|------|----------------|------|----------------|------|---------------|------|
| A4461-6 | 87 | A4596 | 27 | A4903 | 91 | A5166DUAL | 37 |
| A4466 | 38 | A4599-S | 65 | A4904 | 61 | A5166DUAL-ASS | 37 |
| A4466Straight | 38 | A4601 | 29 | A4904LZ | 61 | A5166FIDDLE | 36 |
| A4471 | 49 | A4659 | 85 | A4905 | 61 | A5196 | 73 |
| A4472 | 58 | A4665 | 35 | A4929 | 80 | A5197 | 73 |
| A4474 | 46 | A4668 | 26 | A4950 | 67 | A5198 | 73 |
| A4474-76 | 46 | A4669 | 26 | A4968 | 9 | A5229 | 75 |
| A4475 | 31 | A4670 | 26 | A4969 | 85 | A5266 | 37 |
| A4476 | 34 | A4671 | 49 | A4972 | 58 | A5266ASS | 37 |
| A4479 | 27 | A4671XT | 49 | A4978 | 16 | A5266COMP | 37 |
| A4488 | 30 | A4671XT-FT | 49 | A4979 | 27 | A5266COMP-ASS | 37 |
| A4488 | 30 | A4673 | 49 | A4986-6 | 32 | A5404S | 9 |
| A4488 | 50 | A4675 | 35 | A4986-8 | 32 | A5404S | 80 |
| A4489 | 45 | A4679 | 27 | A4988 | 39 | A5405N | 80 |
| A4489J | 45 | A4693 | 27 | A4988X | 39 | A5405S | 16 |
| A4489M | 45 | A4696 | 27 | A4993 | 27 | A5405S | 80 |
| A4489-SOLO | 45 | A4698 | 72 | A5005 | 59 | A5406S | 80 |
| A4489Tii | 45 | A4710 | 9 | A5006 | 59 | A5506 | 71 |
| A4490 | 46 | A4728 | 80 | A5014 | 30 | A5507 | 71 |
| A4491 | 46 | A4736 | 43 | A5014 | 51 | A5512 | 71 |
| A4491-1.2 | 46 | A4759 | 85 | A5014F | 30 | A5514 | 71 |
| A4496 | 27 | A4761 | 35 | A5014F | 51 | A5519 | 71 |
| A4498 | 72 | A4766 | 38 | A5015 | 30 | A5521 | 71 |
| A4498TOP | 72 | A4766Straight | 38 | A5015 | 30 | A5525 | 71 |
| A4501 | 29 | A4771 | 35 | A5015 | 30 | A5811 | 72 |
| A4502 | 9 | A4772 | 59 | A5015 | 51 | A5812 | 72 |
| A4505 | 9 | A4772DR | 59 | A5015F | 30 | A5814 | 72 |
| A4512 | 49 | A4772DR-KIT | 59 | A5015F | 30 | A5819 | 72 |
| A4527 | 64 | A4772HT | 59 | A5015F | 30 | A5821 | 72 |
| A4528 | 80 | A4772S | 59 | A5015F | 51 | A5825 | 72 |
| A4539 | 55 | A4772S-6 | 59 | A5016 | 30 | A5848 | 34 |
| A4539-14 | 55 | A4772SDR-KIT | 59 | A5016 | 51 | A5849 | 8 |
| A4555 | 54 | A4779 | 27 | A5016F | 30 | A5850 | 47 |
| A4555KIT | 54 | A4786-6 | 32 | A5016F | 51 | A5861 | 34 |
| A4566 | 38 | A4786-8 | 32 | A5052-10 | 53 | A6010 | 79 |
| A4566Straight | 38 | A4791 | 64 | A5052-12 | 53 | A6011 | 79 |
| A4567 | 32 | A4796 | 27 | A5052-4 | 53 | A6012 | 79 |
| A4568 | 26 | A4798 | 72 | A5052-6 | 53 | A6013 | 79 |
| A4569 | 26 | A4801 | 16 | A5052-8 | 53 | A6014 | 79 |
| A4570 | 26 | A4828 | 81 | A5053-4 | 53 | A6020 | 82 |
| A4571 | 49 | A4840 | 74 | A5053-6 | 53 | A6022 | 82 |
| A4572 | 58 | A4866 | 39 | A5053-8 | 53 | A6023 | 82 |
| A4573 | 46 | A4866X | 39 | A5054-10 | 53 | A6024 | 82 |
| A4574 | 46 | A4866XB | 39 | A5054-12 | 53 | A6027 | 82 |
| A4575 | 47 | A4866XB-Angled | 39 | A5054-16 | 53 | A6028 | 82 |
| A4587 | 46 | A4867 | 39 | A5054-6 | 53 | A6035 | 82 |
| A4588 | 50 | A4869 | 85 | A5054-8 | 53 | A6037 | 82 |
| A4589CAT676 | 45 | A4869K | 85 | A5098 | 73 | A6038 | 82 |
| A4589CAT677 | 45 | A4871 | 49 | A5105L | 59 | A6039 | 82 |
| A4589M | 45 | A4871X | 49 | A5105S | 59 | A6040 | 82 |
| A4589Tii | 45 | A4872 | 58 | A5106L | 59 | A6045 | 82 |
| A4590 | 46 | A4876 | 39 | A5106S | 59 | A6046 | 82 |
| A4591 | 47 | A4886 | 32 | A5166 | 36 | A6047 | 82 |
| A4592 | 60 | A4886-5 | 32 | A5166ASSEMBLED | 36 | A6050 | 30 |
| A4592E | 60 | A4886B | 32 | A5166COMP | 36 | A6050 | 30 |
| A4593 | 27 | A4898 | 72 | A5166COMP-ASS | 36 | A6050 | 30 |

| PRODUCT CODE | PAGE | PRODUCT CODE | PAGE | PRODUCT CODE | PAGE | PRODUCT CODE | PAGE |
|--------------|------|--------------|------|--------------|-------|---------------------|------|
| A6050 | 51 | A-621108 | 81 | A8608 | 22 | C253A | 40 |
| A6051 | 30 | A-621110 | 81 | A8612 | 22 | C253A | 87 |
| A6051 | 30 | A6212 | 69 | A8616 | 22 | C257 | 40 |
| A6051 | 30 | A-622104 | 81 | A8639-10 | 23&57 | C270A | 40 |
| A6051 | 51 | A-622105 | 81 | A8639-6 | 23&57 | D92058 | 85 |
| A6052 | 51 | A-622106 | 81 | A8639-8 | 23&57 | F630L | 59 |
| A6060 | 82 | A-622108 | 81 | A8739-10 | 23&57 | FINN-BOOM | 70 |
| A6061 | 82 | A-623104 | 81 | A8739-18 | 23&57 | FINN-LEVER | 70 |
| A6062 | 82 | A-623105 | 81 | A8739-6 | 23&57 | KB HARNESS-RAD-L | 86 |
| A6065 | 82 | A-623106 | 81 | A8739-8 | 23&57 | KB HARNESS-RAD-M | 86 |
| A6066 | 82 | A-623108 | 81 | A8839 | 23&57 | KB HARNESS-RAD-S | 86 |
| A6067 | 82 | A-623110 | 81 | A8939 | 23&57 | KB HARNESS-SKIFF-L | 86 |
| A6068 | 82 | A-624105 | 81 | A9100 | 63 | KB HARNESS-SKIFF-M | 86 |
| A6069 | 82 | A-624106 | 81 | A9150 | 63 | KB HARNESS-SKIFF-S | 86 |
| A6075 | 82 | A-624108 | 81 | A9151 | 63 | KB HARNESS-SKIFF-XL | 86 |
| A6076 | 82 | A-624110 | 81 | A9152 | 63 | MS7272 | 70 |
| A6077 | 82 | A7000 | 73 | A9153 | 63 | S034L | 89 |
| A6078 | 82 | A7001 | 73 | AB1342 | 27 | SA..94 | 63 |
| A6110 | 68 | A7001 | 74 | A-BAG-KIT | 48 | SA.312 | 65 |
| A6110 | 68 | A7002-1.0 | 73 | AFCP512 | 59 | SA.873 | 65 |
| A6112 | 68 | A7002-1.1 | 73 | AFCP515 | 59 | SA4374 | 91 |
| A6112 | 68 | A7002-1.2 | 73 | AFCP518 | 59 | SA4574 | 91 |
| A6114 | 68 | A7002-1.3 | 73 | AFCP521 | 59 | | |
| A6114 | 68 | A731705 | 85 | AFCP525 | 59 | | |
| A6116 | 68 | A731705-E | 85 | AFCP59 | 59 | | |
| A6116 | 68 | A731706 | 85 | AFCP621 | 59 | | |
| A6132 | 68 | A731706-E | 85 | AFPP266 | 59 | | |
| A6132 | 68 | A731707 | 85 | AFPP266B | 59 | | |
| A6134 | 68 | A731707-E | 85 | AFPP266C | 59 | | |
| A6134 | 68 | A731708 | 85 | ARBALL1/4D | 91 | | |
| A6136 | 68 | A731708-E | 85 | ARBALL1/4T | 91 | | |
| A6136 | 68 | A731709 | 85 | ARBALL5T | 91 | | |
| A6138 | 68 | A731709-E | 85 | ASP1785 | 75 | | |
| A6138 | 68 | A731710 | 85 | ASP2158L | 91 | | |
| A6140 | 68 | A731710-E | 85 | ASP2158R | 91 | | |
| A6140 | 68 | A7420 | 73 | ASP2224L | 91 | | |
| A6166 | 69 | A7470 | 73 | ASP2224R | 91 | | |
| A6167 | 69 | A8040-34 | 55 | ASP4109 | 61 | | |
| A6168 | 69 | A8040-56 | 55 | C203 | 40 | | |
| A6169 | 69 | A8331 | 90 | C211M1 | 40 | | |
| A6170 | 69 | A8332 | 90 | C211M1A | 40 | | |
| A6175 | 68 | A8439-13 | 56 | C211M2 | 40 | | |
| A6176 | 68 | A8439-17 | 56 | C211M2A | 40 | | |
| A6177 | 68 | A8439-21 | 56 | C211MK2/S2 | 40 | | |
| A6178 | 68 | A8439-25 | 56 | C211MK2/S2AN | 40 | | |
| A6180 | 87 | A8439-29 | 56 | C217M1 | 40 | | |
| A6185 | 69 | A8439-7 | 56 | C217M1A | 40 | | |
| A6186 | 69 | A8439-9 | 56 | C218M1 | 40 | | |
| A6187 | 69 | A8539-13 | 56 | C218M1A | 40 | | |
| A6188 | 69 | A8539-17 | 56 | C218M2 | 40 | | |
| A6200 | 69 | A8539-21 | 56 | C222 | 40 | | |
| A6204 | 69 | A8539-25 | 56 | C222A | 40 | | |
| A6208 | 69 | A8539-29 | 56 | C230 | 40 | | |
| A-621104 | 81 | A8539-7 | 56 | C236A | 40 | | |
| A-621105 | 81 | A8539-9 | 56 | C253 | 40 | | |
| A-621106 | 81 | A8606 | 22 | C253 | 87 | | |

BLOCKS

CLEATS &
JAMMERS

TRACK &
KEELBAND

DECK & HULL
FITTINGS

SPARS &
RIGGING

RUDDERSTOCK
& ACCESSORIES

SAILMAKERS
HARDWARE

SHACKLES

ACCESSORIES

official hardware supplier to the



SWE
Sailing Team



www.allenbrothers.co.uk

 [allensailinghardware](https://www.facebook.com/allensailinghardware)

 [@allen_sailing](https://twitter.com/allen_sailing)

 [@allen_sailing](https://www.instagram.com/allen_sailing)

 sales@allenbrothers.co.uk