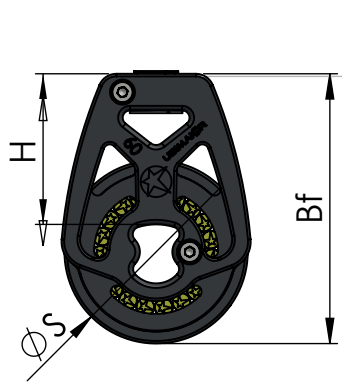


MODELLO ARTICLE	ØS	ØI	MWL LOW LOAD	BL LOW LOAD	MWL HIGH LOAD	BL HIGH LOAD	A	Bh	Ba	Bv	Bav	Bm	C	Ds	Dd	Dt	H
	[mm]	[mm]	[kg]	[kg]	[kg]	[kg]	[mm]	[mm]	[mm]	[mm]	[mm]	[mm]	[mm]	[mm]	[mm]	[mm]	[mm]
RT60	60	12	1400	2800	1800	3600	78	141	164	186	210	141	62	25	46	68	49
RT80	80	14	1850	3700	2400	4800	96	171	202	229	272	171	82	28	52	76	92
RT100	100	16	-	-	3400	6800	106	207	241	286	335	207	102	34	63	-	82
RT125	125	19	-	-	5000	10000	133	260	-	-	-	-	128	40	-	-	102
RT150	150	25	-	-	6800	13600	156	309	-	-	-	-	155	51	-	-	126

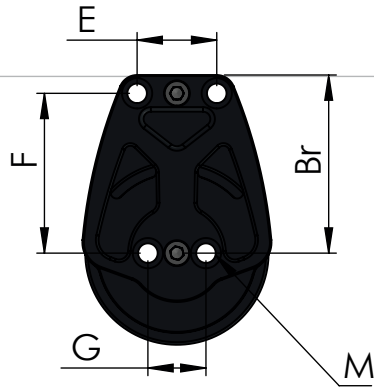
RT=regata •S=singolo/single •SA= singolo con arricavo/sigle and becket •D=doppio/double •DA=doppio con arricavo/double and becket
 •T=triplo/triple •TA=triplo con arricavo/triple and becket •V=violino/fiddle •VA=violino con arricavo/fiddle and becket
 •M=stand-up •L=low load •H=high load

Data Sheet	
Model	REGATA
Line	RT REGATA
Format size	A4
<small>This document and the design on it is the exclusive property of Ubi Maior Italia and is the subject of copyright Brand by Dini s.r.l., Meccanica di precisione</small>	
UBI MAIOR ITALIA	

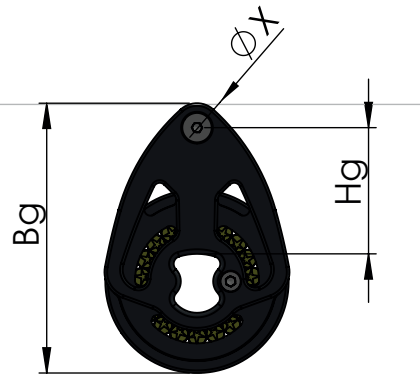
RTShxxS



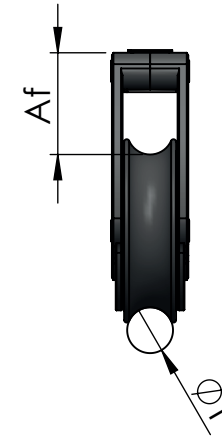
RTxxR



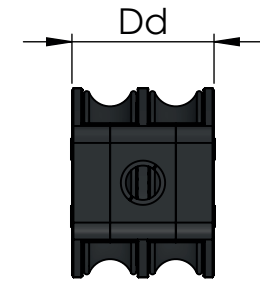
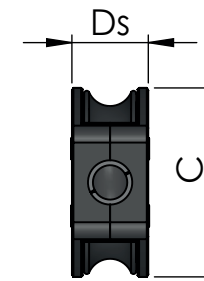
RTShxxG



**RTShxxS
RTShxxG
RTxxR**



**RTShxxD
RTxxRD**



MODELLO ARTICLE	ØS	ØI	MWL LOW LOAD	BL LOW LOAD	MWL HIGH LOAD	BL HIGH LOAD	Af	Bf	C	Ds	Dd	H
	[mm]	[mm]	[kg]	[kg]	[kg]	[kg]	[mm]	[mm]	[mm]	[mm]	[mm]	[mm]
RT60	60	12	1400	2800	1800	3600	33	88	62	25	46	49
RT80	80	14	1850	3700	2400	4800	43	117	82	28	52	92
RT100	100	16	-	-	3400	6800	55	147	102	34	63	82
RT125	125	19	-	-	5000	10000	67	184	128	40	-	102
RT150	150	25	-	-	6800	13600	80	221	155	51	-	126

RT=regata •Sh=streak head •R=rinvio/cheek •RD=rinvio doppio/double cheek •G=a goccia/tear drop •L=low load •H=high load

MODELLO ARTICLE	ØS	ØI	ØX	MWL LOW LOAD	BL LOW LOAD	MWL HIGH LOAD	BL HIGH LOAD	Bg	Hg	G	E	F	M
	[mm]	[mm]	[mm]	[kg]	[kg]	[kg]	[kg]	[mm]	[mm]	[mm]	[mm]	[mm]	
RT60	60	12	8	1400	2800	1800	3600	88	41	19	26	52	6
RT80	80	14	10	1850	3700	2400	4800	117	65	26	29	70	8
RT100	100	16	-	-	-	3400	6800	-	-	32	34	86	10
RT125	125	19	-	-	-	5000	10000	-	-	46	46	109	10
RT150	150	25	-	-	-	6800	13600	-	-	42	54	131	16

RT=regata •Sh=streak head •R=rinvio/cheek •RD=rinvio doppio/double cheek •G=a goccia/tear drop •L=low load •H=high load

Data Sheet	
Model	REGATA
Line	RT REGATA
Format size	A4
<small>This document and the design on it is the exclusive property of Ubimair Italia and is the subject of copyright. Brand by Dini s.r.l. Meccanica di precisione</small>	
UBI MAIOR ITALIA	