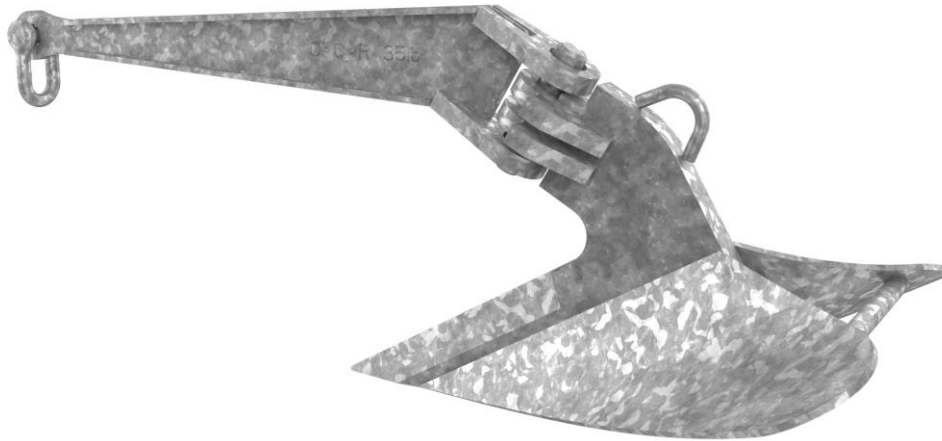


PRODUCT NOTICE

C·Q·R Anchors – 15lb to 75lb range



We will soon be phasing out our forged C·Q·R Anchor range, and replacing with fabricated versions, following the same design criteria as the larger galvanised fabricated C·Q·R range.

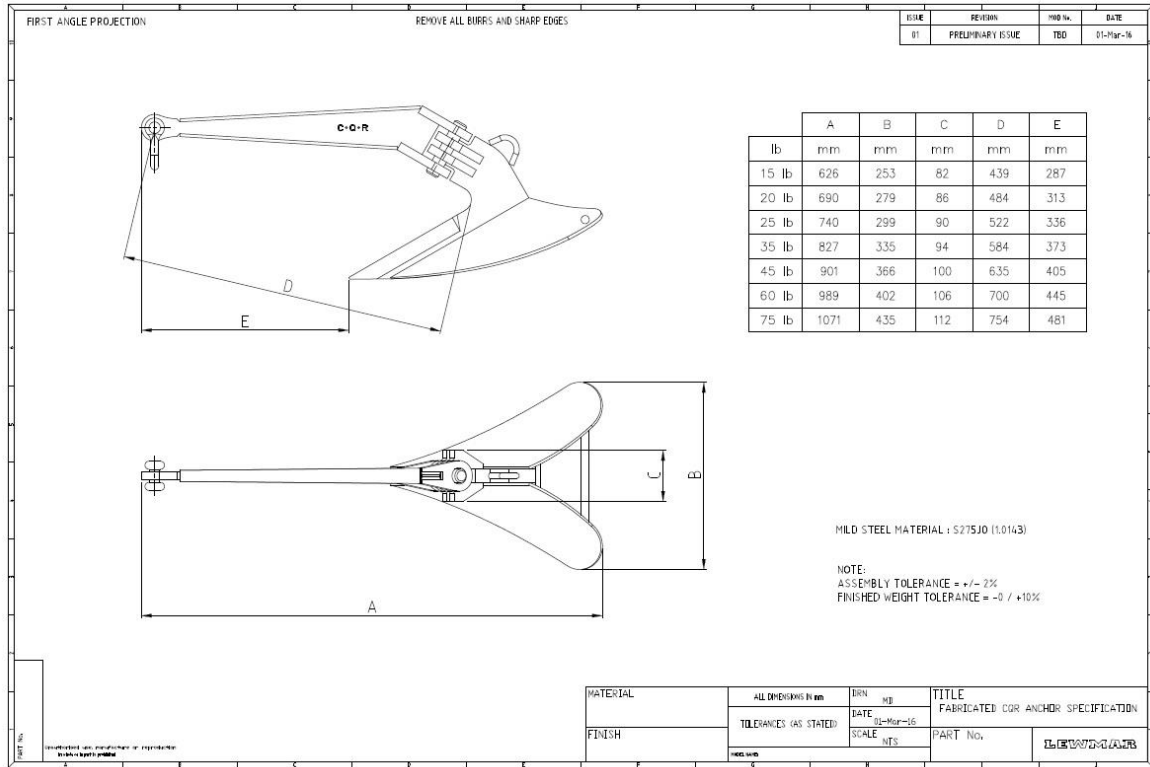
The appearance change will be significant, so identification between the two types is obvious. They will keep their basic current catalogue numbers, but will have the suffix 'W' added, i.e. 0056503W for the new fabricated 15lb Galvanised C·Q·R anchor.

There will be some slight changes in size, see following charts. Generally the new range will have shorter shanks, and slightly wider ploughs.

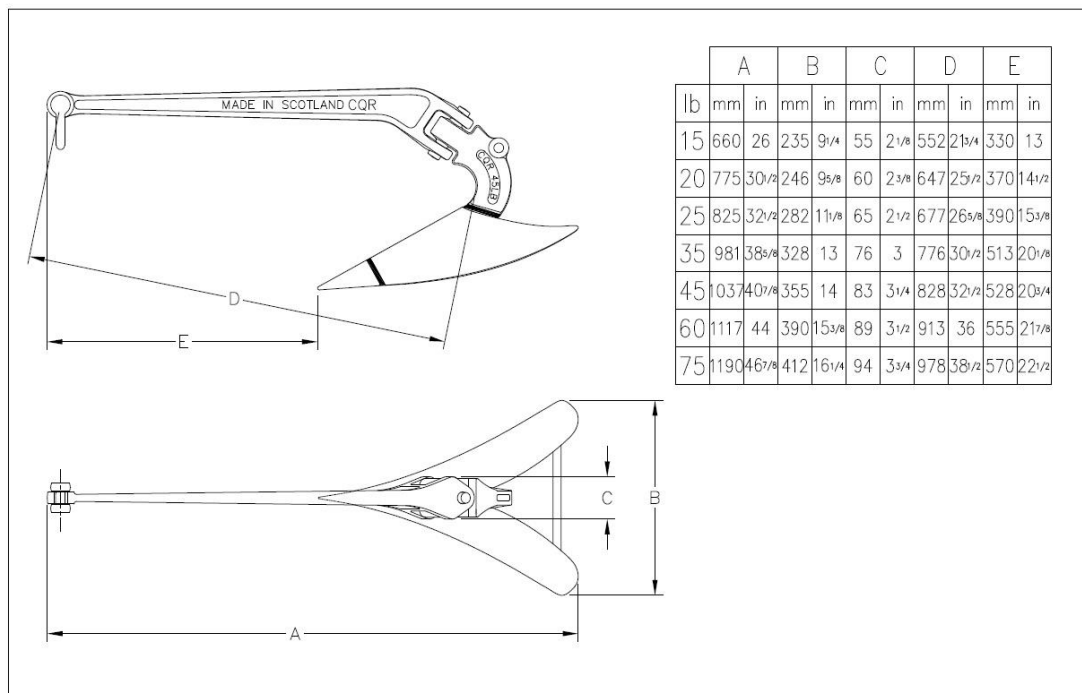
These anchors will continue to have Lloyds Register Certificate of General Approval of an Anchor Design, as a HHP anchor.

PRODUCT NOTICE

C·Q·R Anchors – 15lb to 75lb range



New Fabricated range



Existing Forged range