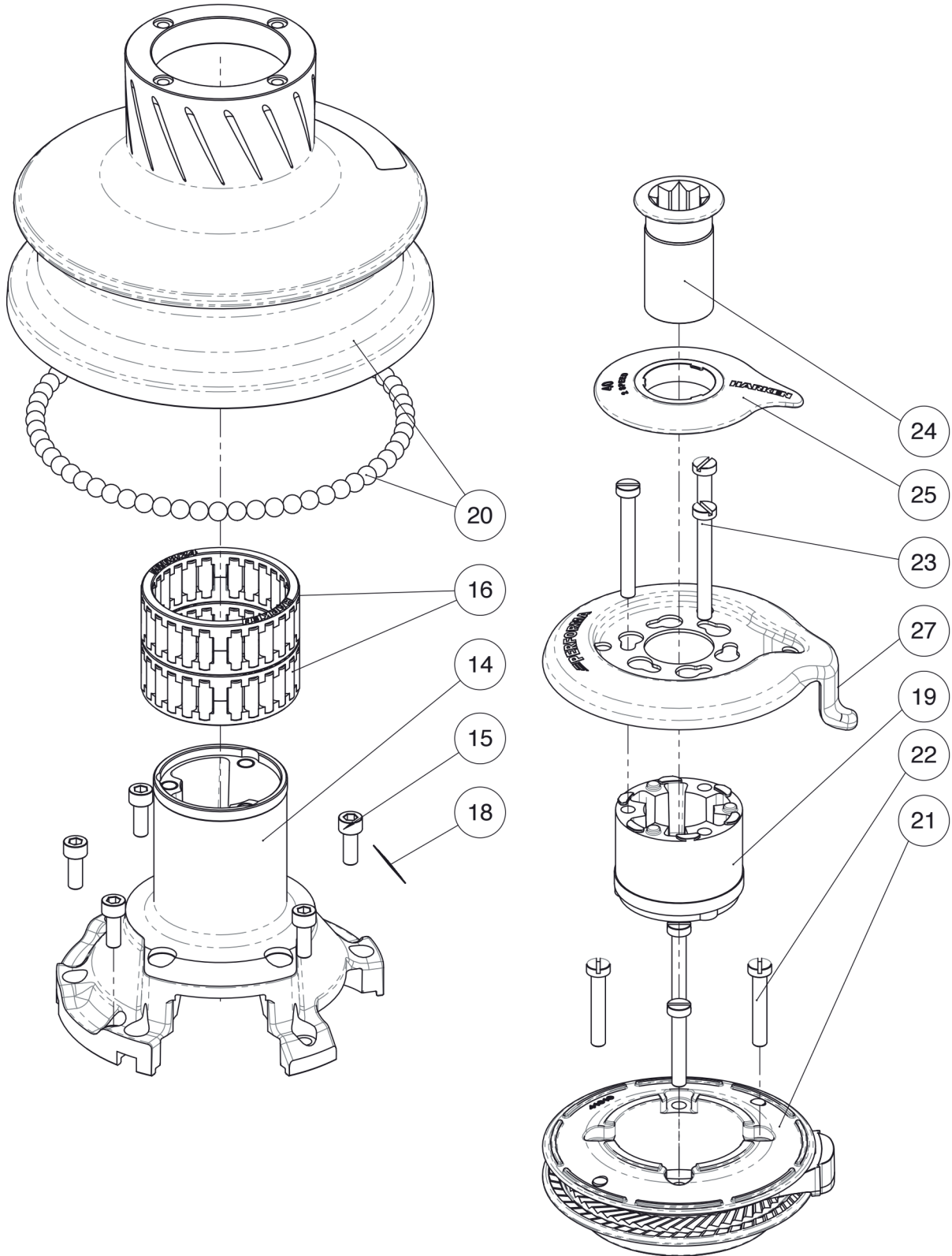
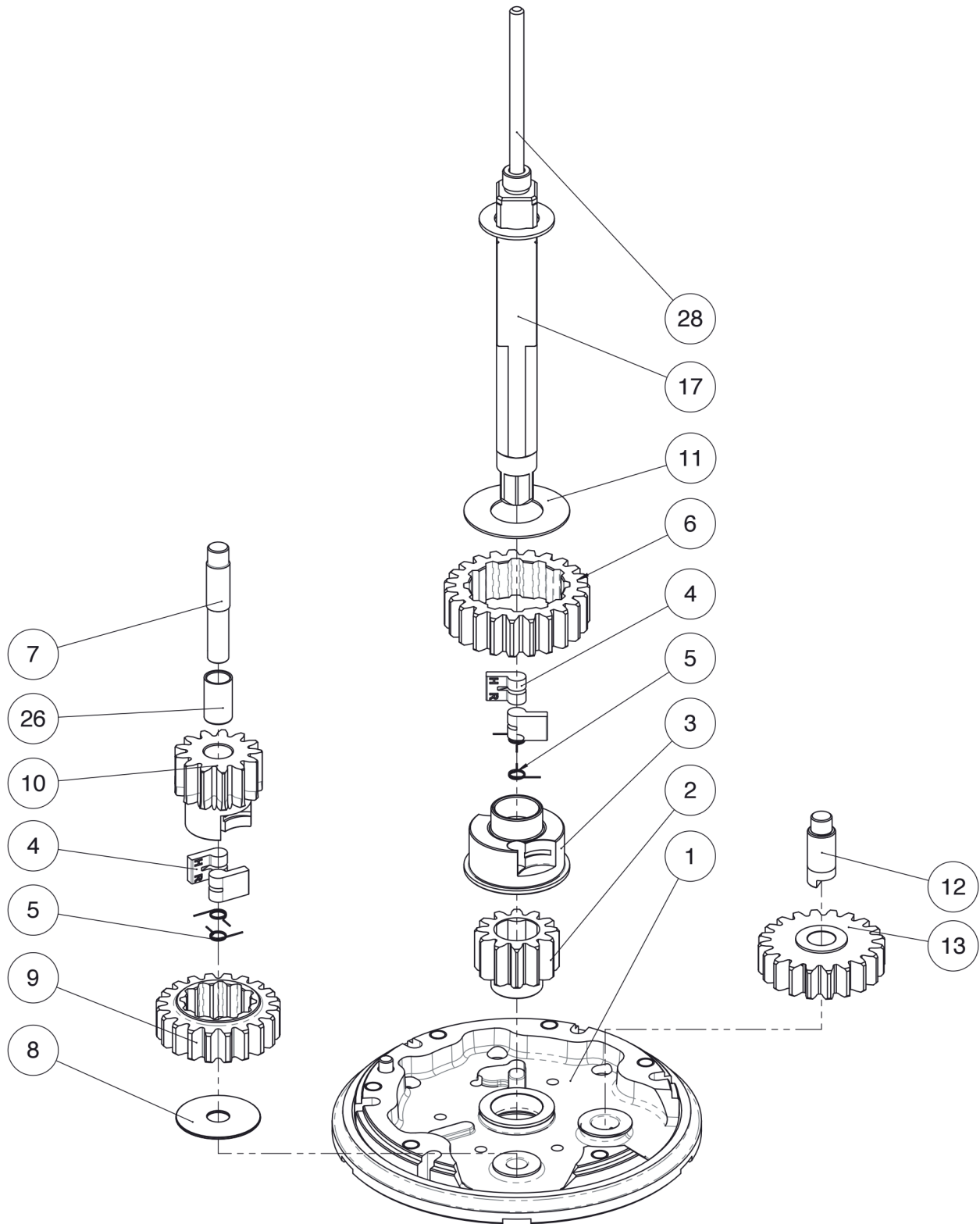


Performa Winch 40.2 STQP E



Performa Winch 40.2 STQP E



Performa Winch 40.2 STQP E

Pos	Q.ty	Code	Description	Pos	Q.ty	Code	Description
1	1	A97018900	Assembly base Winch 40QP EL/HY with thrust bearing <i>Ring base W40 STQ</i> <i>Base W40</i> <i>Heli-coil M6x9</i>	17	1	A96777100	Assembly Central Shaft W40 EL/HY <i>Central Shaft Pred. W40</i>
	1	S413350080	<i>Roller Ø6x19</i>	1	S413880002	<i>Washer Ø17.2xØ32x1.5</i>	
	1	S4130900A7	<i>Bushing Ø22xØ25x8.5</i>	18		Winch Serial Number Sticker	
	1	S413960085	<i>Bushing Ø9xØ11x12</i>	19	1	S4129400A0	Stripper arm support
	1	S413330085	<i>Bushing Ø12xØ14x11</i>	20	1	A94163201	Performa Drum Assembly W40 Q <i>Performa Drum W40 Q</i> <i>Ball 5/16"</i> <i>Winch STQ product sticker**</i>
2	1	S413020004	Gear Z12	61	M0610280		
3	1	S413030004	Pawls Carrier Ø8xN2	21	1	A94131800	Assy Winch 40 Jaws <i>Lower Jaw W35/40</i> <i>Upper Jaw W35/40</i>
4	4	S000090004	Pawl Ø8*	1	S413610080	<i>Peeler W20 - 40</i>	
5	4	S000380001	Pawl Spring Ø8*	4	S385970001	<i>SPRING</i>	
6	1	S412830041	Gear Z23	22	4	M0601803	Screw UNI EN ISO 1207:1996 - M6x35 - A4
7	1	S657380004	Performa Pin Ø9x10	23	3	M6007103	Screw M6x50 UNI6107
8	1	S279090002	Washer Ø36xØ9,5x1	24	1	A94149300	Assembly Socket W35-80 EL/HY <i>Socket Handle W20/80</i>
9	1	S412970004	Gear Z20	1	S414940085	<i>Washer Ø25xØ15x4</i>	
10	1	S657370041	Performa Pinion Z13 W40	1	S414930003	<i>Nut Screw for Disconnect Rod</i>	
11	1	S413120002	Washer Ø22.5xØ45x1	1	M0679797	<i>O ring RC 2025 series</i>	
12	1	S413070004	Pin Ø9xØ12x32.5	25	1	S4141900A5	Cover 2 speed W40
13	1	A94130500	Assy Gear Z20 <i>Gear Z20</i>	26	1	M6033794	Bushing XSM-1012-20
	2	S414900080	<i>Bushing Ø12xØ14x8</i>	27	1	S657360019	Performa Black Stripper Arm W40
14	1	A94141500	Assy Housing Winch 40 <i>Support W40</i> <i>Heli-coil M6x9</i>	28	1	S415060002	Disconnect Rod W40
	2	S414890080	<i>Bushing Ø9xØ11x7</i>				
	1	S4130900A7	<i>Bushing Ø22xØ25x8.5</i>				
15	6	M0635103	Socket head screw M6x16 UNI 5931				
16	2	A74136000	Bearing Ø56xØ68x24				

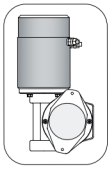
*Available with service kit; see website www.harken.com

**Winch product sticker

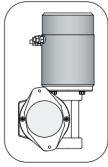


Horizontal electric motor

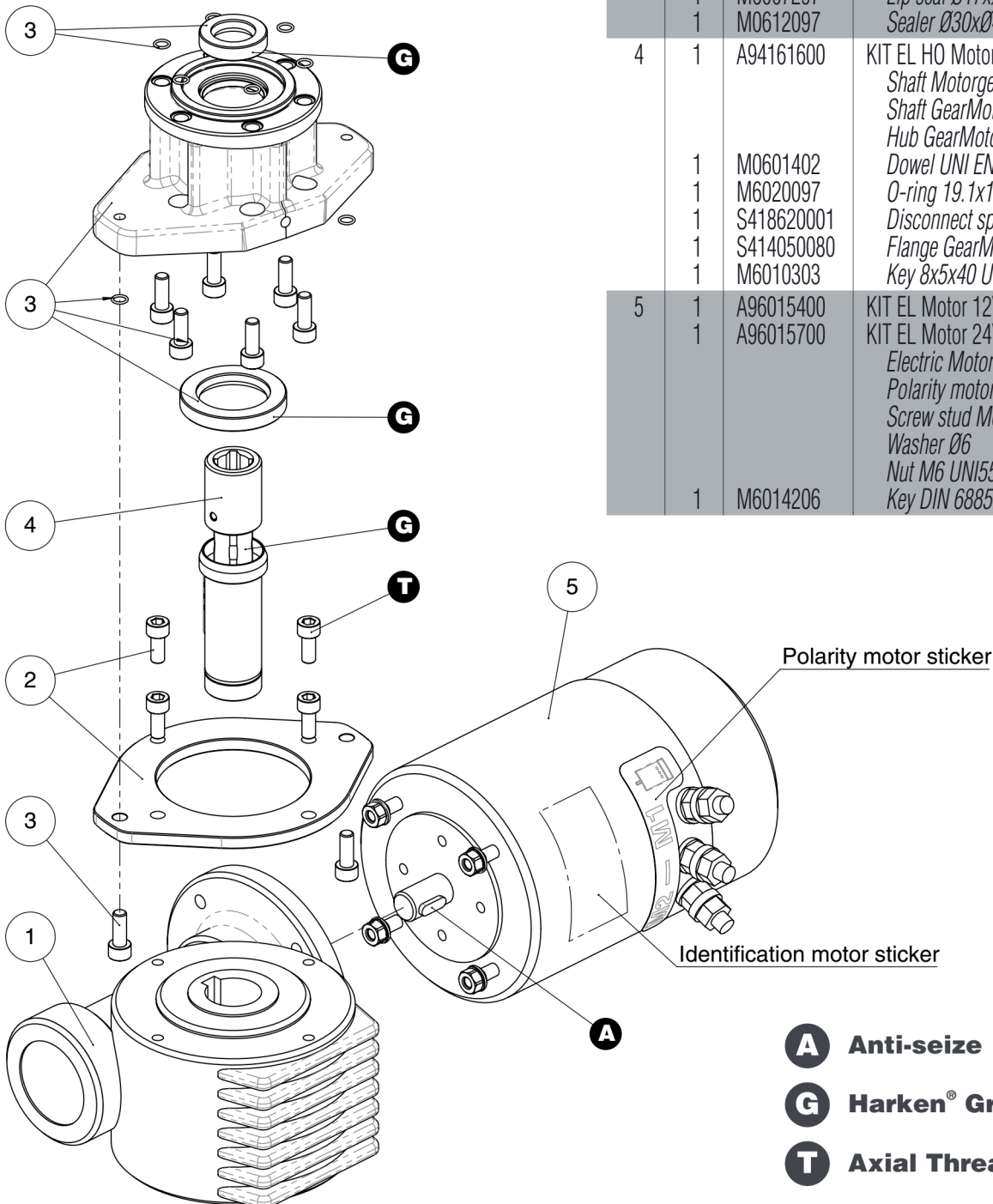
TOP VIEW



* *Motor installed in right-hand configuration.*



** *Motor installed in left-hand configuration.*



Pos	Q.ty	Code	Description
1	1	A93127900	KIT Gear Reduction 1/24
	1	A94194900	KIT LM Gear Reduction 1/24
2	1	A94149200	KIT Assy Electric Motor Flange
	1	A94149200L	KIT Assy Electric Motor Flange Left
	4	M0606803	<i>Electric Motor Flange Screw M6x14 UNI 5931</i>
3	1	A94149500	KIT EL HO Motor Flange
	8	S415360003	<i>Horizontal Motorgear Flange Screw M6x16 UNI EN ISO 5931:2003 precote coating</i>
	8	M601560097	<i>O-Ring Seal ORM 0055-10 (Ø5,5 x Ø1)</i>
	1	M6007297	<i>Lip seal Ø17xØ30x7</i>
1	M0612097	<i>Sealer Ø30xØ47x7</i>	
4	1	A94161600	KIT EL HO Motor Clutch
			<i>Shaft Motorgear HO</i>
			<i>Shaft GearMotor HO</i>
			<i>Hub GearMotor</i>
	1	M0601402	<i>Dowel UNI EN ISO 8752:2000- Ø4x24</i>
	1	M6020097	<i>O-ring 19.1x1.6</i>
	1	S418620001	<i>Disconnect spring</i>
1	S414050080	<i>Flange GearMotor Shaft HO</i>	
1	M6010303	<i>Key 8x5x40 UNI 7511</i>	
5	1	A96015400	KIT EL Motor 12V 0,7kW
	1	A96015700	KIT EL Motor 24V 0,9kW
			<i>Electric Motor</i>
			<i>Polarity motor sticker</i>
			<i>Screw stud M6x26</i>
			<i>Washer Ø6</i>
1	M6014206	<i>Nut M6 UNI5588</i>	
		<i>Key DIN 6885 5x5x15</i>	

- A** **Anti-seize**
- G** **Harken® Grease**
- T** **Axial Threadlocker**