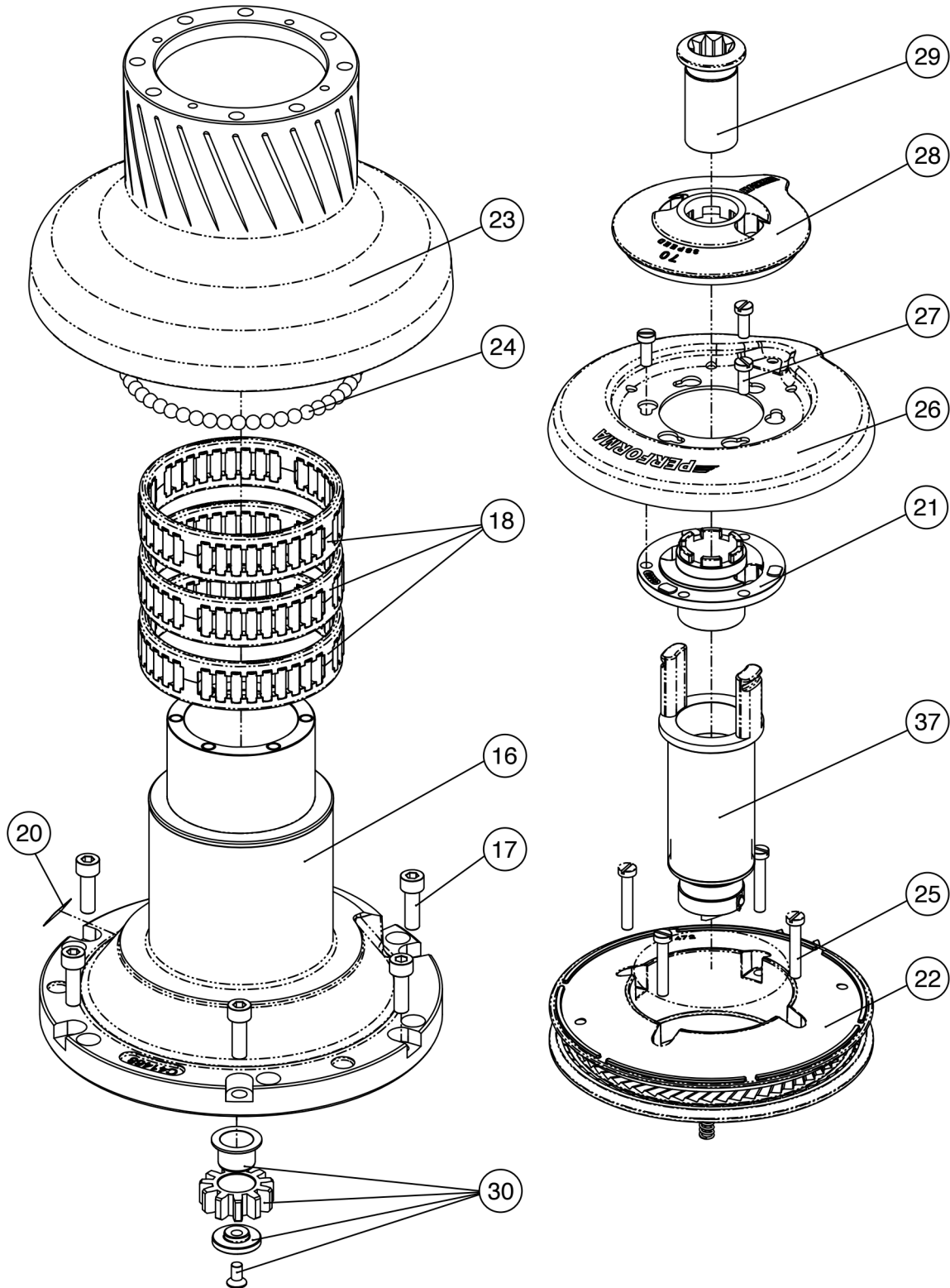
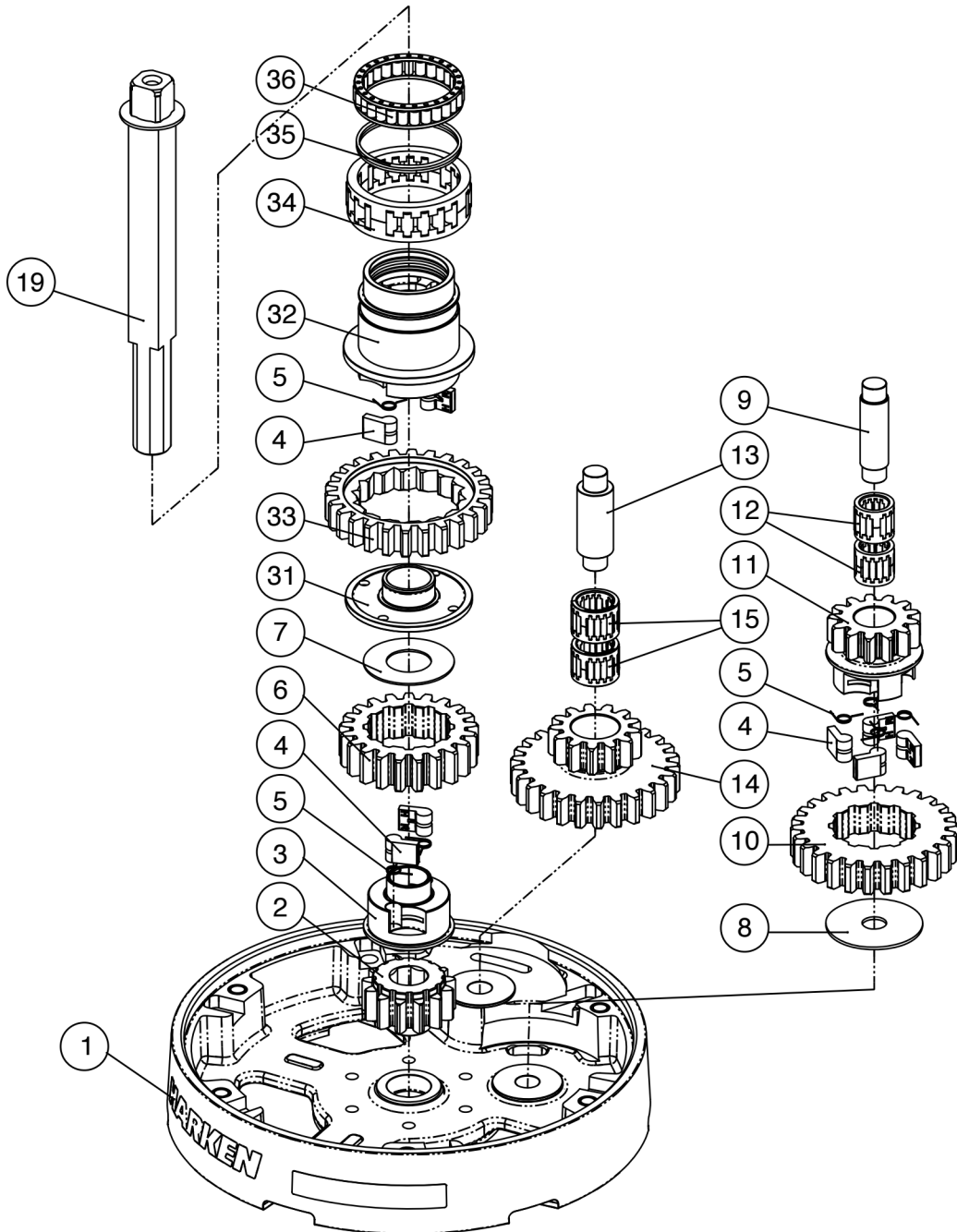


Exploded view





Parts List

Performa Winch 70.3 ST

Pos.	Q.ty	Code	Description	Pos.	Q.ty	Code	Description
1	1	A 966369 00	Performa Base Assembly W70 <i>Performa Base W70 Heli-coil M8x10 Centering bushing Ø12 Bushing Ø22xØ25x9.5* Bushing Ø12xØ35x9* Winch Product Sticker**</i>	22	1	A 966372 00	Performa Assy Jaws W70 <i>Lower Jaw W70 Upper Jaw W70 Peeler W60 - 70 Spring</i>
2	1	S 41477 00 04	Gear Z13 W70	23	1	A 766370 00	Performa Assy Drum Winch 70
3	1	S 41303 00 04	Pawls Carrier Ø8xN2	24	50	M 06102 80	Ball 5/16**
4	8	S000090004	Pawl Ø 8*	25	4	M0601803	Vite UNI EN ISO 1207:1996 - M6x35 - A4
5	8	S 00038 00 01	Pawl Spring dia 8	26	1	S 66371 00 19	Performa Black Stripper Arm W70
6	1	S 41439 00 41	Rachet Gear Z21xN2	27	3	M0601903	Screw M6x16 UNI1207*
7	1	S 41312 00 02	Washer Ø22.5xØ45x1*	28	1	S 41555 00 B1	Cover 3 speed W70
8	1	S278170002	Washer 12.5x48x1.5*	29	1	A 941547 00	Assy Socket 3spd <i>Socket Handle 3 speed Washer Ø7.7xØ25x5.8 Screw M8x20 UNI 6109*</i>
9	1	S 28101 00 04	Pin for gear	30	1	A 941453 00	Assy Gear 3rd speed <i>Idler Gear 3 speed Bushing Ø22/Ø25x15.5 Washer 3 velocità Screw M6x12 UNI 5933</i>
10	1	S 41442 00 41	Rachet Gear Z26xN4	31	1	S 41458 00 81	Shim Bushing 3 speed*
11	1	S 41441 00 04	Pawls Carrier Gear Z13 N4	32	1	S 41540 00 04	Pawls Carrier 3 speed
12	2	A72821800	Roller Bearing 14/20/18	33	1	S280870041	Gear 1V
13	1	S 41603 00 04	Gear Pin Ø12xØ18x52,5	34	1	A73129200	ROLLER BEARING 50-62-20 ERTA P*
14	1	S 41476 00 04	Idler and Pinion Z26/Z13 W70	35	1	S 37751 00 01	Clutch Spring
15	2	A 741623 00	Roll bearing 24x18x18	36	1	A73422600	Bearing 45x55x12*
16	1	A 941909 00	Assy Housing Winch 70.3 <i>Housing W70 Bushing Ø12xØ35x9* Heli-coil M6x9 Bushing 3 speed</i>	37	1	A 941537 00	Assy Clutch 3rd spd W70 <i>Assy Command tube W70 Dog Clutch 3 speed Spring loaded ball plunger Ø6</i>
17	6	M0606303	Screw M8x25 UNI 5931				
18	3	A 741475 00	Roller Bearing Ø102xØ114x26*				
19	1	A 941479 00	Assy Shaft Winch 70 <i>Central shaft W70 ST Washer Ø17.2xØ32x1.5</i>				
20	1	S 41876 00 63	Winch Serial Number Sticker				
21	1	S 41557 00 A0	Stripper arm support				

*Service kit available; see winch kit section on the website www.harken.com

**Winch product sticker

