

Installation and Maintenance Manual

MRPW-03

Performa™ Winch 70.2 STP



HARKEN®

Introduction	3
Technical characteristics	3
<i>Weight</i>	3
<i>Maximum working load</i>	3
Outline	3
Installation	4
<i>Installation procedure</i>	7
<i>Positioning the self-tailing arm</i>	8
Maintenance	8
<i>Washing</i>	8
<i>Maintenance table</i>	8
<i>Disassembly procedure</i>	8
<i>Exploded view with maintenance products</i>	12
<i>Assembly</i>	13
Harken® limited worldwide warranty	14
Ordering spare parts	14
Exploded view	15
Parts list	17

Introduction

This manual gives technical information on winch installation and maintenance, including disassembling and reassembling.

This information is DESTINED EXCLUSIVELY for specialised personnel or expert users.

Installation, disassembling and reassembling of the winch by personnel who are not experts may cause serious damage to users and those in the vicinity of the winch.

Harken® accepts no responsibility for defective installation or reassembly of its winches.

In case of doubt the Harken® Tech Service is at your disposal at techservice@harken.it

This Manual is available only in English. If you do not fully understand the English language, do not carry out the operations described in this Manual.

Technical characteristics

	Power ratio	Gear ratio
1st speed	22,20 : 1	5,70 : 1
2nd speed	72,00 : 1	18,50 : 1

The theoretical power ratio does not take friction into account.

Weight

	ST Version
Weight (Kg)	11,3

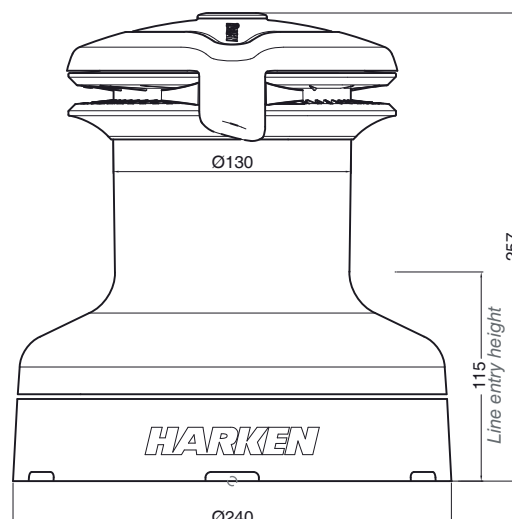
Maximum working load



WARNING!

The maximum working load (MWL) for the 70.2 ST Performa™ Winch is 2700Kg (5952 lb). Subjecting the winch to loads above the maximum working load can cause the winch to fail or pull off the deck suddenly and unexpectedly during high loads causing severe injury or death.

Outline



Installation

The winch must be installed on a flat area of the deck, reinforced if necessary to bear a load equal to at least twice the maximum working load of the winch.

It is the installer's responsibility to carry out all structural tests needed to ensure that the deck can bear the load.

Harken® does not supply the screws needed to install the winch since these may vary depending on the deck on which it is to be installed.

It is the installer's responsibility to choose the correct screws taking account of the loads they will have to bear.

Harken® assumes no responsibility for incorrect installation of its winches or for an incorrect choice of mounting screws.



DANGER!

Incorrect installation of the winch may cause severe injury or death. Consult the yard that built the boat in the case of doubt over the correct positioning of the winch.



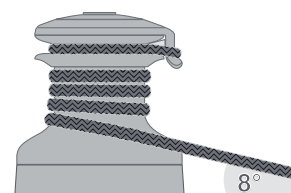
WARNING!

Failure to use the correct number and type of mounting fasteners or failure to ensure the correct deck strength can result in the winch pulling off the deck suddenly and unexpectedly during high loads causing severe injury or death.



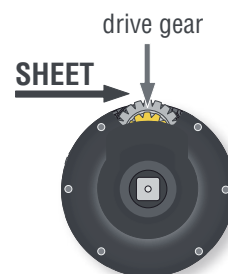
WARNING!

Verify the entry angle of the sheet. This must be 8° with tolerance of $\pm 2^\circ$, to avoid sheet overrides and damaging the winch or making the winch inoperable leading to loss of control of the boat which can lead to severe injury or death.



WARNING!

Mount the winch on the deck so that the drive gear is positioned where the sheet enters the winch drum. Incorrect position of drive gear can weaken winch leading to failure which can cause an accident leading to severe injury or death.



Once you have chosen the correct mounting position for the winch on the deck proceed with installation.


Procedure

To install the winch you must remove the drum and use Socket Head (SH) bolts or Hexagonal Head (HH) bolts.

Tools needed

 One medium flat-bladed screwdriver

To identify the various parts, refer to the exploded view at the end of this Manual.

 Torque to apply when assembling

Follow steps below only to install the winch using Socket Head (SH) bolts



1. Unscrew the central screw ($\approx 2\text{Nm}/18\text{ in-lb}$)



2. Slide off the assy socket n°28 and the cover n°27



3. Unscrew the three screws n°26 ($\approx 4\text{Nm}/35\text{ in-lb}$)



4. Remove the stripper arm n°25 by rotating and lifting it.



5. Lift off the drum n°23

Install the winch on the deck in the position you have chosen, keeping in mind the limits described on page 3. (See paragraph on installation)

Follow steps below only to install the winch using hexagonal headed bolts



6. Completely unscrew the three screws n° 26



7. Remove the stripper arm housing n°21



8. Slide out the central shaft n°19



9. Unscrew the 6 hex screws n°17
($\approx 20\text{Nm}/177\text{ in-lb}$)



10. Remove the assy housing n°16

Install the winch on the deck in the position you have chosen, keeping in mind the limits described on page 3.

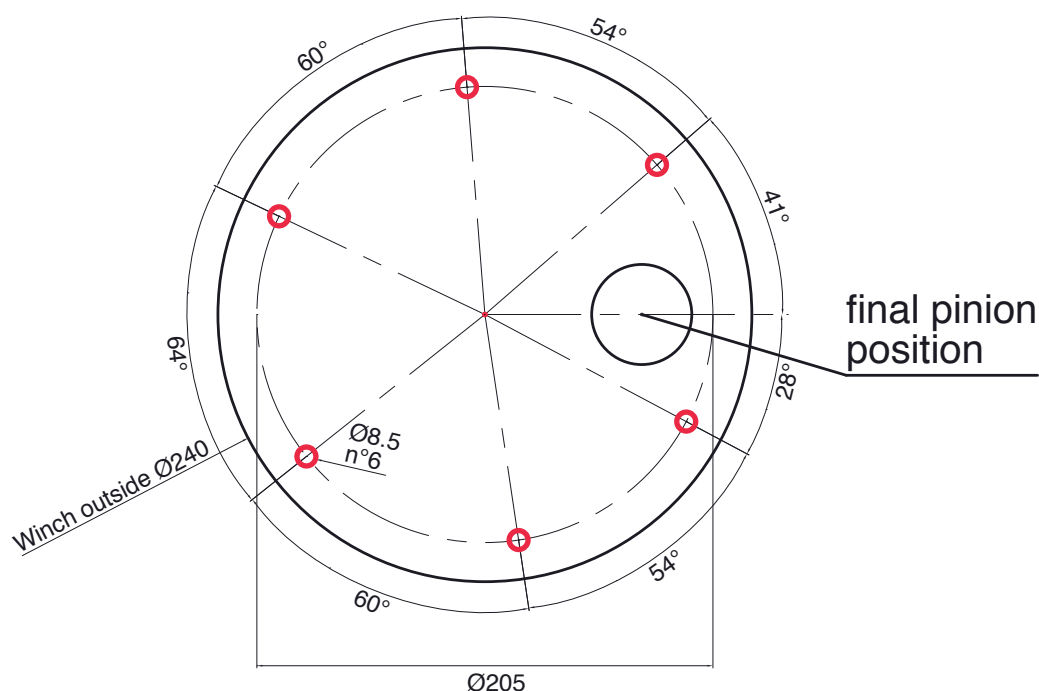
Installation procedure

Carry out the **Procedure**, then install the winch on the deck in the chosen position.

- A.** Position the base of the winch on the deck and mark the position of the holes or use the drilling cut-out template at the point where you have decided to place the winch.

Below is a reduced scale diagram.

The drilling cut out template is available on the Harken® website, www.harken.com



- B.** Remove the winch and drill the six 8.5 mm diameter holes.
- C.** Bolt the base of the winch to the deck using five M8 bolts (not supplied by Harken®), correctly chosen for the thickness and type of the boat deck. Consult the yard that built the boat in case of doubt.



WARNING!

To install the winch on the deck, use only bolts in A4 stainless steel (DIN 267 part11). Bolts made of other materials may not have sufficient strength or may corrode which can result in winch pulling off deck suddenly and unexpectedly during high loads causing severe injury or death.

NOTICE

To mount winches on the deck, do not use countersunk bolts.

- D.** Fill the mounting holes with a suitable marine sealant.
- E.** Remove the excess adhesive/sealant from the holes and base drainage channels

F. Reassemble the winch following the steps of the **Procedure** in the reverse order, and apply the products indicated in the section on maintenance.

NOTICE

Before closing the winch, make sure the holes and drainage channels in the base of the winch are not obstructed.

Positioning the self-tailing arm

Position the self-tailing arm so that the line leaving the winch is led into the cockpit.

Maintenance

Washing

Winches must be washed frequently with fresh water, and in any case after each use.

Do not allow teak cleaning products or other cleaners containing caustic solutions to come into contact with winches and especially anodised, chrome plated or plastic parts.

Do not use solvents, polishes or abrasive pastes on the logos, on the stickers on the winches or on any anodized, chrome plated and plastic surfaces.

Make sure that the holes and drainage channels in the base of the winch are not obstructed so that water does not collect.

Maintenance table

Winches must be visually inspected at the beginning and end of every season of sailing or racing.

In addition they must be completely overhauled, cleaned and lubricated at least every 12 months.

After an inspection, replace worn or damaged components. Do not replace or modify any part of the winch with a part that is not original.



WARNING!

Periodic maintenance must be carried out regularly. Lack of adequate maintenance shortens the life of the winch, can cause serious injury and also invalidate the winch warranty.

Installation and maintenance of winches must be carried out exclusively by specialized personnel.

In the case of doubt contact Harken® Tech Service at techservice@harken.it

Disassembly procedure

Tools needed



One medium flat-bladed screwdriver

A number five hex key



Rags

 Torque to be applied in assembly phase

To identify the various parts refer to the exploded view at the end of this Manual.

Carry out procedure as shown in the paragraph on winch installation and then do the following:



6. Completely unscrew the three screws n° 26



7. Remove the stripper arm housing n°21



8. Slide out the central shaft n°19



9. Unscrew the 6 hex screws n°17
(\approx 20Nm/177 in-lb)



10. Remove the assy housing n°16



11. Remove the gear n°6, pawls n°3
and the washer n°7



12. Remove gear n°2.



13. Remove the idler and pinion n°14.



14. Remove roller bearings n°15



15. Remove pawls n°11.



16. Remove gear n°10



17. Remove roller bearings n°12.

If it is necessary to replace any **jaws** of the winch, proceed as follows:



I. Unscrew the 4 screws n°24
($\approx 4\text{Nm}/35\text{ in-lb}$)



II. Remove the jaws n°22

Inspect balls inside the drum and carefully check the correct position; if it is necessary to put back any balls, push balls in the race (as shown below):



Once the winch is completely disassembled, clean the parts: use a basin of diesel oil to soak metal components and rinse plastic parts in fresh water. Once you have done this, dry the parts with cloths that do not leave residue.

Inspect gears, bearings, pins and pawls for any signs of wear or corrosion.

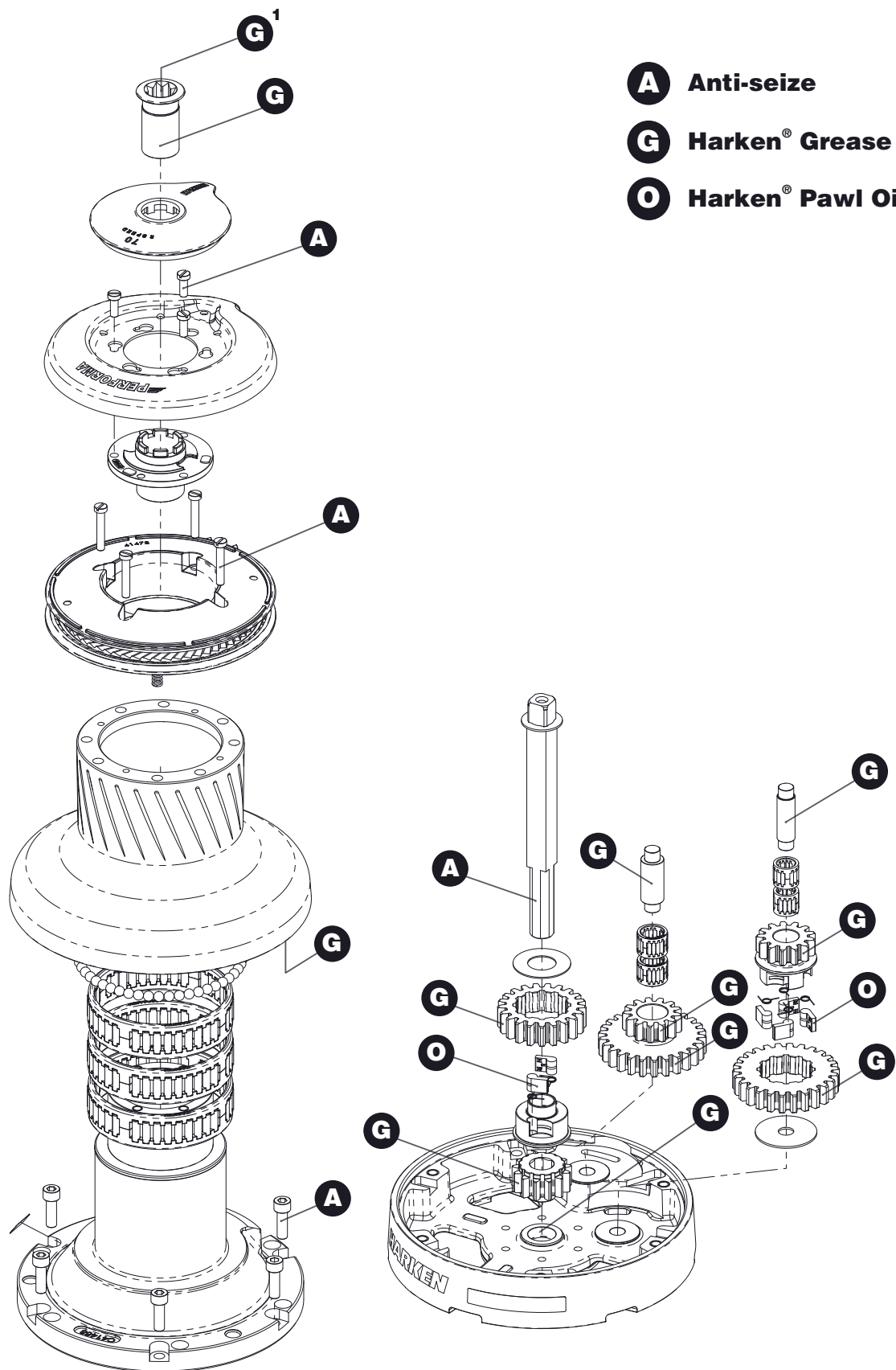
Carefully check the teeth of gears and ring gears to make sure there are no traces of wear.

Check the roller bearings and check there are no breaks in the bearing cages.
Replace worn or damaged components.

Carry out maintenance on components using the products listed below.

For more information on which products to use where, refer to the exploded diagram below.

Use a brush to lightly lubricate all gears, gear pins, teeth and all moving parts with grease.
Lightly lubricate the pawls and springs with oil. Do not use grease on the pawls!

Exploded view with maintenance products

¹Apply Harken® grease on assy socket screw

Assembly

Make sure that the holes and drainage channels in the base of the winch are not obstructed
Assemble the winch in the reverse order of the sequence in the section on disassembly.

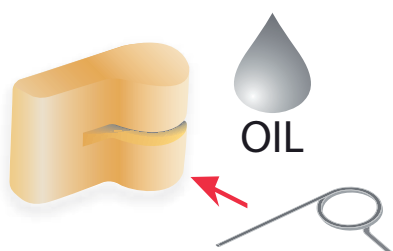
To tighten bolts, use the torque indicated in the disassembly procedure.



When positioning the stripper arm, align the peeler with it.
If the jaws have been disassembled, insert peeler between the two jaws, taking care that the letters TOP on the peeler are facing upwards.



The icon ▲ on the Stripper Arm Housing indicates the Stripper Arm final position.
Change the Stripper Arm Housing angle to modify the Stripper Arm final position.



To assemble the pawls:

correctly position the spring in its housing as shown at left. Hold the spring closed and slide the pawl into its housing. Once in position, check that the pawls can be easily opened and closed with a finger.

In case of doubt concerning the assembly procedure contact Harken® Tech Service: techservice@harken.it

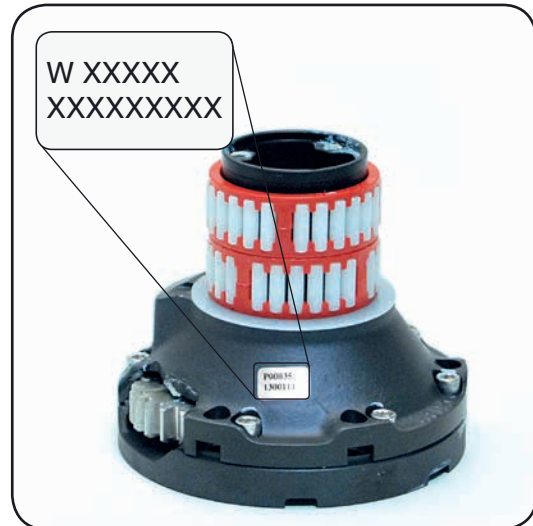
Harken® limited worldwide warranty

Refer to the Harken® Limited Worldwide Warranty in the Harken® Catalogue and on the website www.harken.com

Ordering spare parts

Spare parts can be requested from Harken® as described in the Harken® Limited Worldwide Warranty, indicating the part number in the Parts List and including the serial number of the winch for which the parts are required.

The serial number of the winch is printed on a plate on the drum support of the winch.



Manufacturer

Harken® Italy S.p.A.

Via Marco Biagi, 14
22070 Limido Comasco (CO) Italy
Tel: (+39) 031.3523511
Fax: (+39) 031.3520031
Email: info@harken.it
Web: www.harken.com

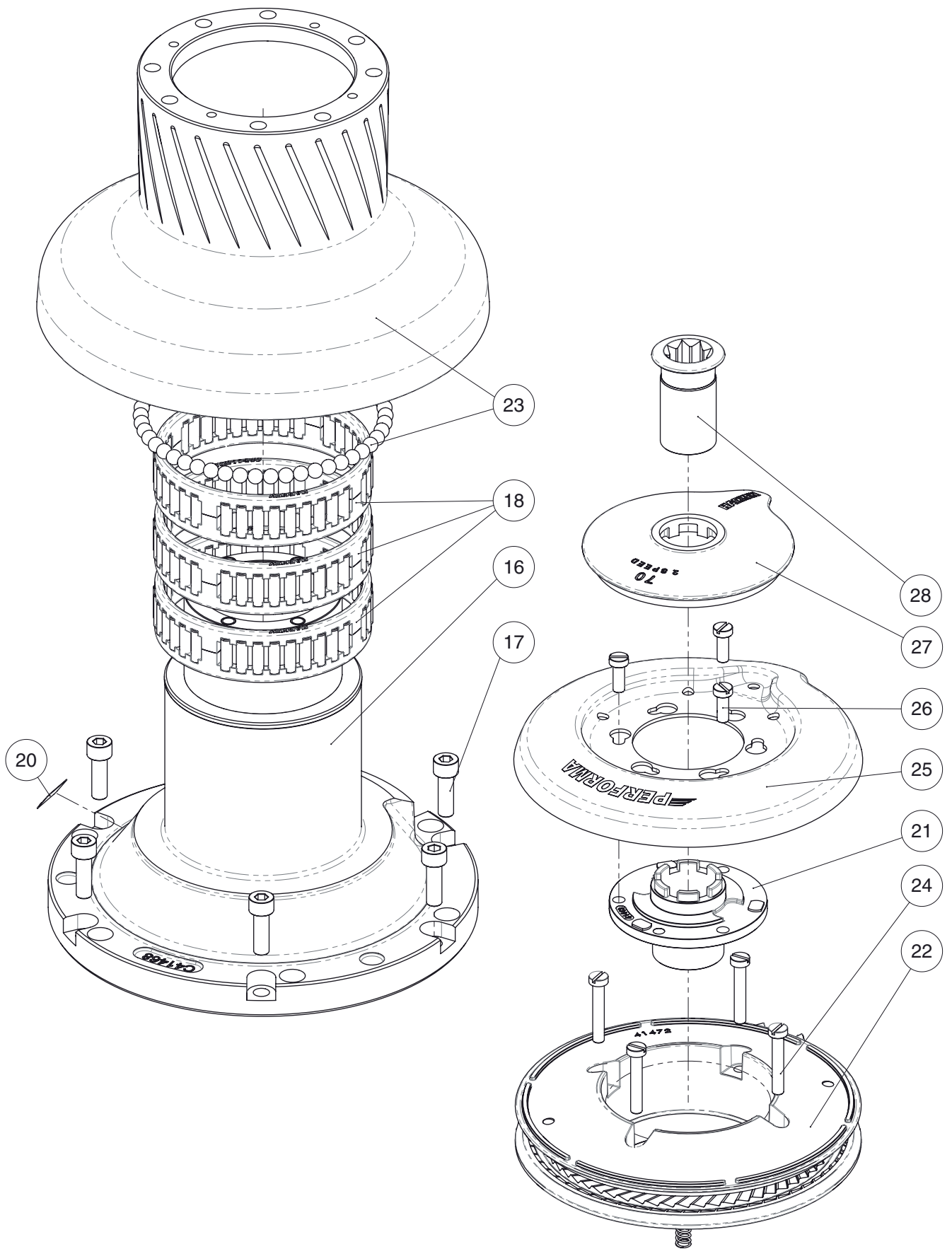
- **Tech Service**
Email: techservice@harken.it
- **Customer Service**
Tel: (+39) 031.3523511
Email: info@harken.it

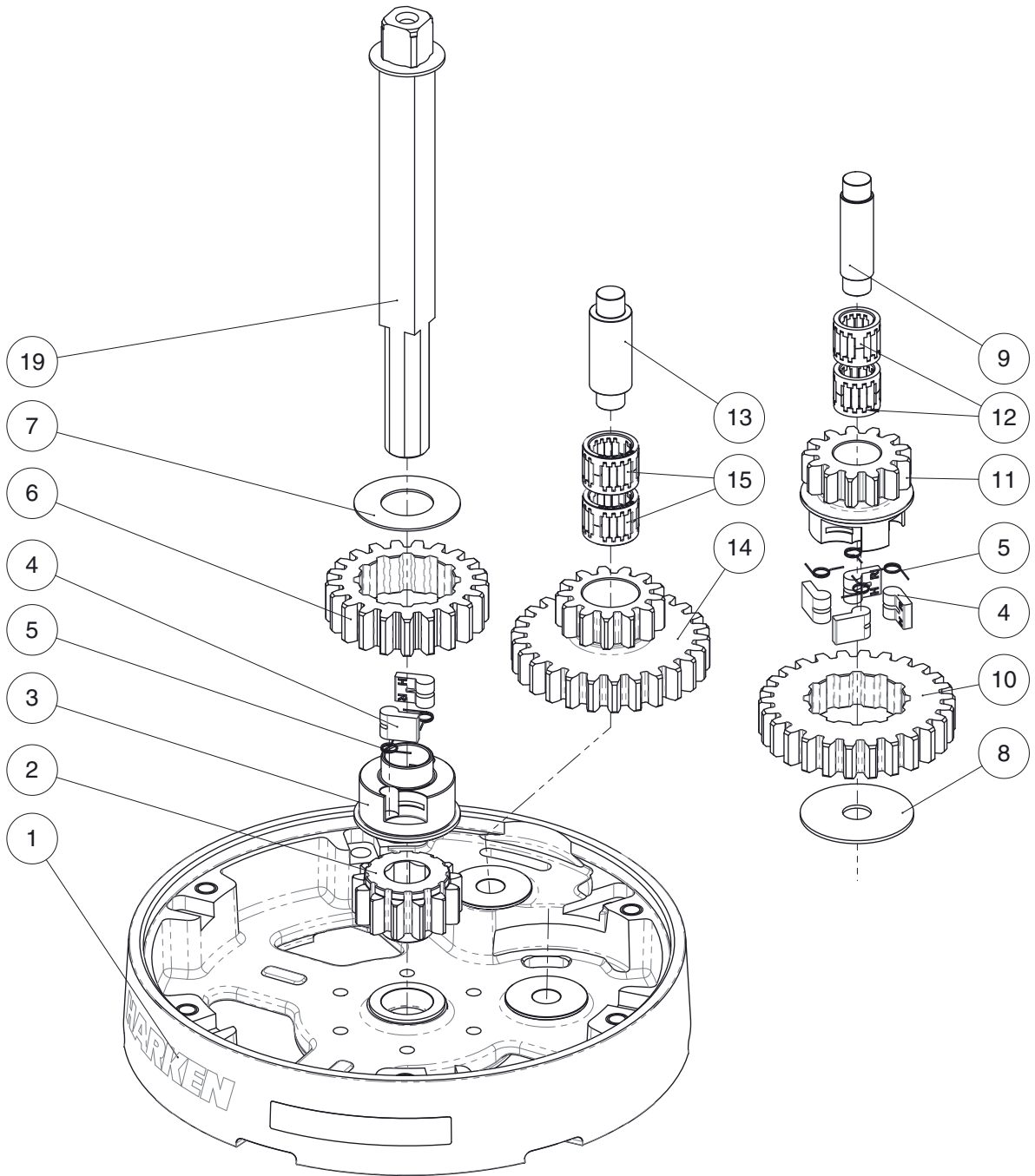
Headquarters

Harken®, Inc.

1251 East Wisconsin Avenue
Pewaukee, Wisconsin 53072-3755 USA
Tel: (262) 691.3320
Fax: (262) 691.3008
Email: harken@harken.com
Web: www.harken.com

- **Tech Service**
Email: technicalservice@harken.com
- **Customer Service**
Tel: (262) 691-3320
Email: customerservice@harken.com





Performa Winch 70.2 STP

Pos	Q.ty	Code	Description	Pos	Q.ty	Code	Description
1	1	A96636900	Performa base assembly Winch 70 <i>Performa base Winch 70 Heli-coil M8x10</i>	17	6	M0606303	Screw M8x25 UNI 5931
	1	S476030004	<i>Centering bushing Ø12</i>	18	3	A74147500	Roller Bearing Ø102xØ114x26
	1	S4152300A7	<i>Bushing Ø22xØ25x9.5</i>	19	1	A94147900	Assy Shaft Winch 70 <i>Central shaft W70 ST</i>
	2	S415580085	<i>Bushing Ø12xØ35x9 Winch Product Sticker**</i>	1	1	S413880002	<i>Washer Ø17.2xØ32x1.5</i>
2	1	S414770004	Gear Z13 W70	20			Winch Serial Number Sticker
3	1	S413030004	Pawls Carrier Ø8xN2	21	1	S4144300A0	Stripper Arm Housing W60/70
4	6	S000090004	Pawl Ø8*	22	1	A96637200	PERFORMA Assy Jaws W70 <i>Lower Jaw W70 Upper Jaw W70 Peeler W60 - 70 Ø7-Ø1-L30mm Spring</i>
5	6	S000380001	Pawl Spring Ø8*	1	1	S414850080	
6	1	S414390041	Ratchet Gear Z21xN2	4	4	S683520001	
7	1	S413120002	Washer Ø22.5xØ45x1	23	1	A96637000	Spare kit drum Winch 70 Performa <i>PERFORMA Assy Drum Winch 70 Ball 5/16"</i>
8	1	S278170002	Washer Ø12.5xØ48x1.5	50	50	M0610280	
9	1	S281010004	Pin for gear	24	4	M0601803	Screw UNI EN ISO 1207:1996 - M6x35 - A4
10	1	S414420041	Ratchet Gear Z26xN4	25	1	S663710019	PERFORMA Black Stripper Arm W70
11	1	S414410004	Pawls Carrier Gear Z13 N4	26	3	M0601903	Screw M6x16 UNI1207
12	2	A72821800	Roller Bearing Ø14xØ20x18	27	1	S4160400B1	Cover 2 Speed W70
13	1	S416030004	Gear Pin Ø12xØ18x52,5	28	1	A94136400	Assembly Socket W20-80 <i>Socket Handle W20/80 Washer Ø7.7xØ25x5.8 Screw M8x20 UNI 6109</i>
14	1	S414760004	Idler and Pinion Z26/Z13 W70	1	1	S415130085	
15	2	A74162300	Roller bearing Ø24xØ18x18	1	1	M0614303	
16	1	A94146800	Assy Housing Winch 70 <i>Housing W70 Heli-coil M6x9 Support Bushing W70</i>				
	2	S415580085	<i>Bushing Ø12xØ35x9</i>				
	1	S4130900A7	<i>Bushing Ø22xØ25x8.5</i>				

*Available with service kit; see website www.harken.com

**Winch product sticker

