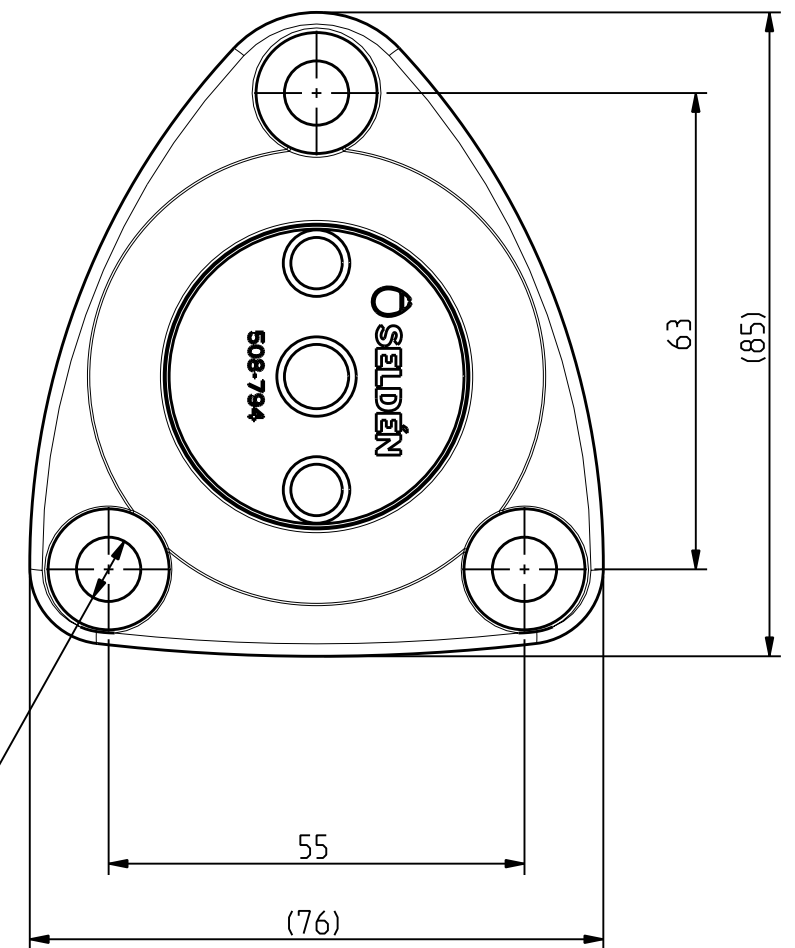
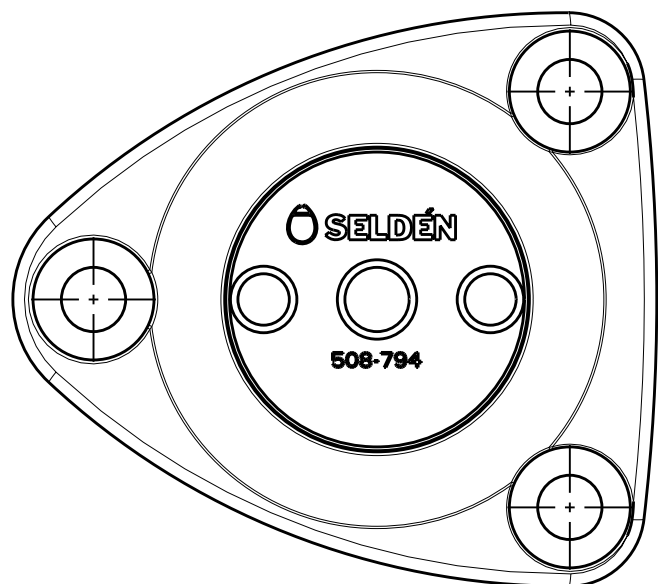


THIS SIDE OF RING TO  
FACING FORWARD



RING CAN BE FITTED IN ANY ANGLE TO PLATE



**SELDÉN**

BOW BARCKET  
GENN POLE  
FOR SECTION Ø99 AND 101

Tolerance acc. to SS-ISO 2768-x unless otherwise stated		Estimated mass properties:		Weight	Volume	File	
				[.1]g	[.1]cm3	3040	
Drawn	Date	Scale	Revision	Replaced by	Replacing	Approved	Part No.
JG	09-04-15	1:1	-	-	Production		508-794-05

No	Qty	Revision	Date	Sign