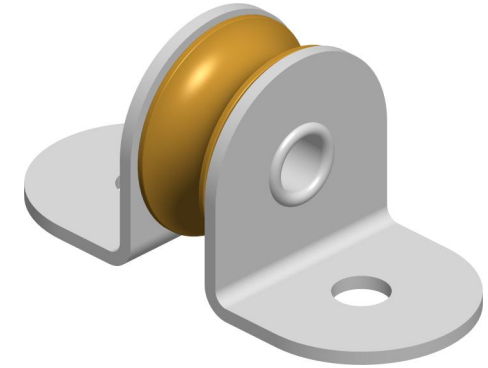
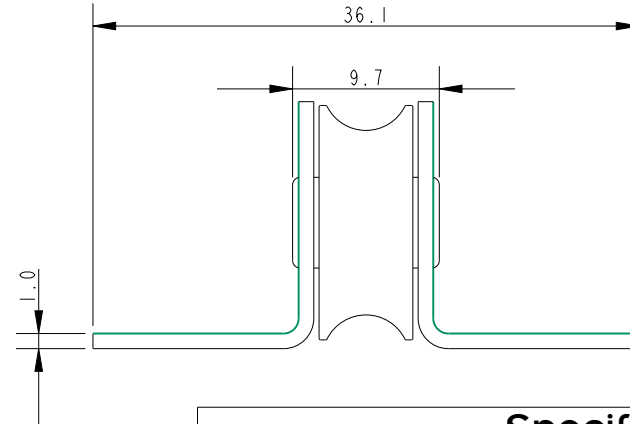
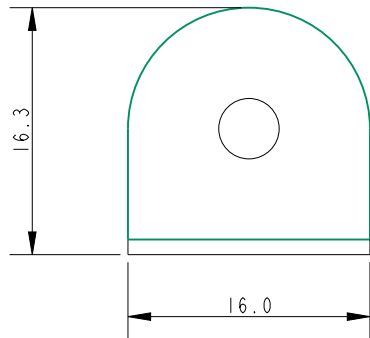


SCALE 2:1



DIMENSIONS FOR REFERENCE ONLY
 allenbrothers.co.uk
 +44(0)1621 772477

Specification					
Sheave Diameter mm	Length mm	Max Line Diameter mm	Shackle Pin mm	Breaking Load kg	Weight g
16	16	5	-	275	13.5

Title	Description
A4601-REF	Through Deck Single With Brass Sheave