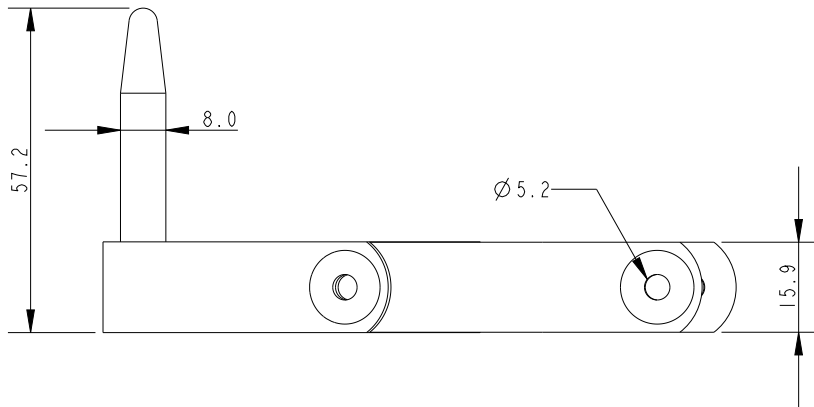


SCALE 3:4



**DIMENSIONS FOR REFERENCE ONLY**  
 allenbrothers.co.uk  
 +44(0)1621 772477

**Specification**

Fixing Hole Dia mm	Width mm	Hole/Pin Dia mm	Pin Length mm	Length	Distance From Stock To Pin mm	Weight g
5	23	7.8	40	89	18	88

Title	Description
A4017-23-REF	Rudder Pintle