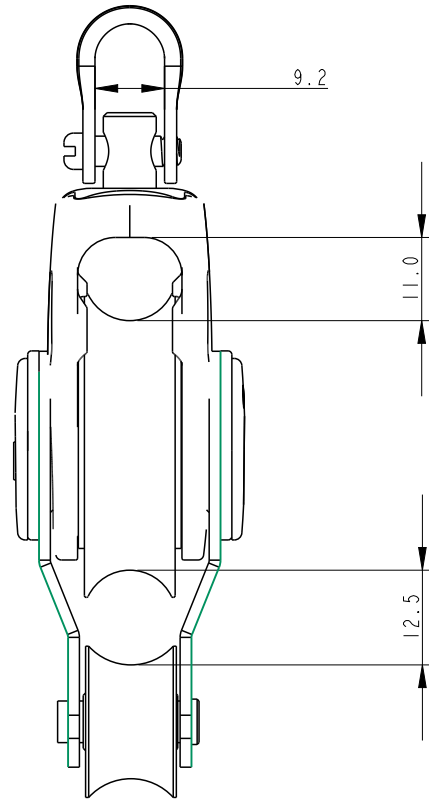
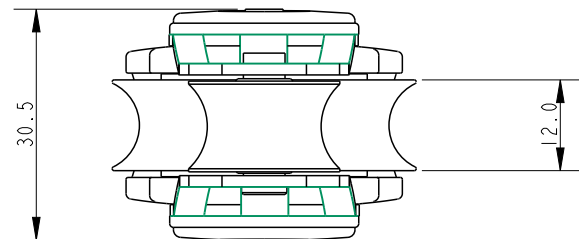


SCALE 1:1



SCALE 1:1



Specification						
Length mm	Line Diameter mm	Shackle Pin mm	Breaking Load kg	MWL kg	Weight g	Bearing Detail
100	10	4	800	180	86	Stainless Steel

DIMENSIONS FOR REFERENCE ONLY
 allenbrothers.co.uk
 +44(0)1621 772477

Title	Description
A2041-REF	Single With Swivel And 20mm Fiddle Block