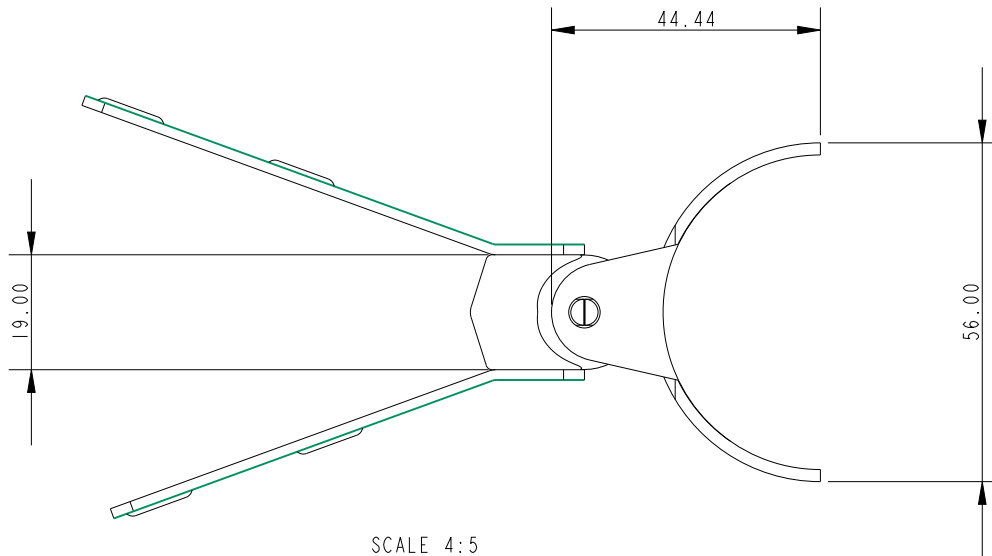


SCALE 4:5



SCALE 4:5

Specification			
Fixing Hole Diameter mm	Mast Diameter mm	Boom Size mm	Weight g
4-5	50-70	20+	84

**DIMENSIONS FOR REFERENCE ONLY**  
 allenbrothers.co.uk  
 +44(0)1621 772477

Title	Description
A4314-REF	Gooseneck