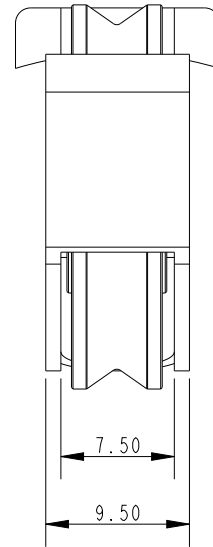
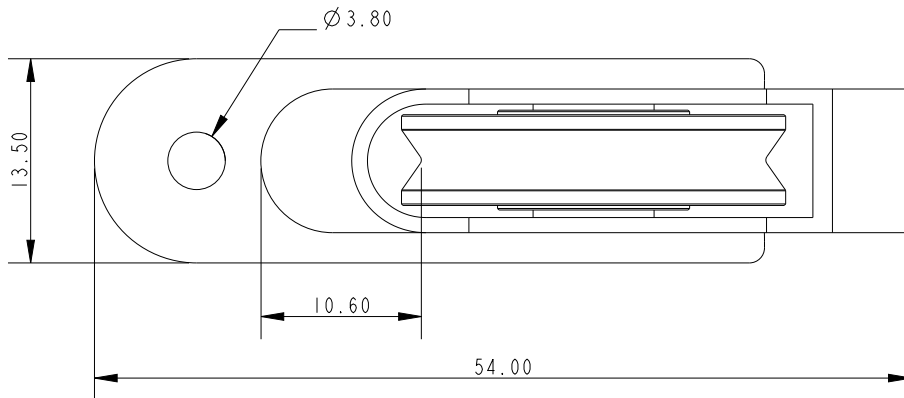


SCALE 2:1



SCALE 2:1



Specification							
Sheave Width mm	Sheave Diameter mm	Sheave Material	Slot Size mm	Weight g	Fixing Hole Diameter mm	MWL kg	Breaking Load kg
6	25	Stainless Steel	38 X 10	24	4	300	750

DIMENSIONS FOR REFERENCE ONLY
allenbrothers.co.uk
+44(0)1621 772477

Title	Description
A--15B-REF	Low Profile Aluminium Sheave Box - Ball Bearing