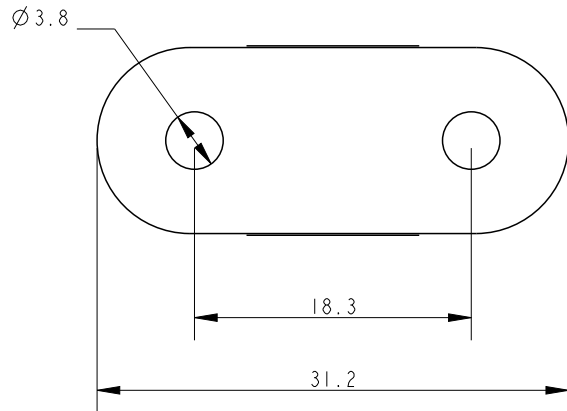


SCALE 2:1

SCALE 2:1



Specification			
Inside Hole mm	Fixing Hole Size mm	Fixing Hole Centres mm	Weight g
10	3	18	6

**DIMENSIONS FOR REFERENCE ONLY**  
 allenbrothers.co.uk  
 +44(0)1621 772477

Title	Description
<b>A4452-REF</b>	Bullseye Failed lead With Stainless Steel Inner