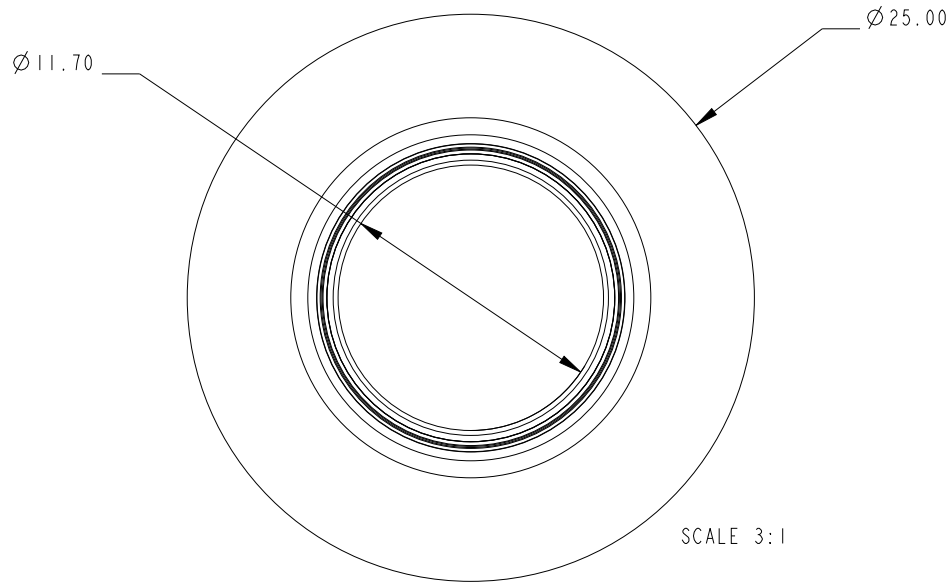


SCALE 3:1



SCALE 3:1

Specification			
Inside Diameter mm	Outside Diameter mm	Column Depth mm	Weight g
13	16	14	5.7

DIMENSIONS FOR REFERENCE ONLY
 allenbrothers.co.uk
 +44(0)1621 772477

Title	Description
A4539-14-REF	Through Deck Bush w/ SS Inner