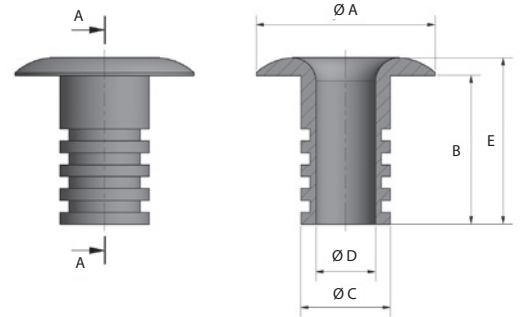


Our KOHLHOFF LOOP® Bushes are a stylish and functional way to create a deck opening. Made of aluminium with 10, 12 and 14 millimetre diameters, they can easily be cut to the right length. We use them for control lines on Sports boats. They can also be glued into carbon main booms for Lazy Jacks.



KER40 – equipped with LOOP® Products

Product No.	Description	Material	A	B	C	D	E	Weight/g
L-BUSH10-BK	LOOP® Bush	Aluminium	30 mm	25 mm	15 mm	10 mm	28 mm	9
L-BUSH10-SI	LOOP® Bush	Aluminium	30 mm	25 mm	15 mm	10 mm	28 mm	9
L-BUSH12-BK	LOOP® Bush	Aluminium	36 mm	30 mm	18 mm	12 mm	34 mm	12
L-BUSH16-BK	LOOP® Bush	Aluminium	48 mm	40 mm	24 mm	16 mm	46 mm	18