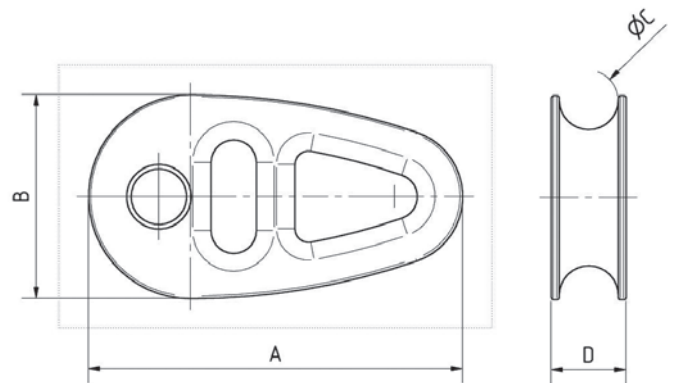
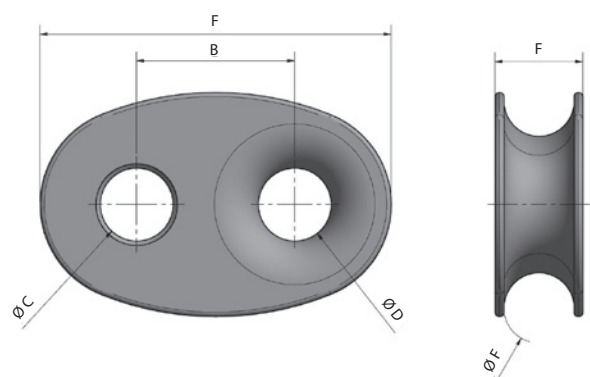




We developed a set of new Thimbles for Furling rope and other applications. KOHLHOFF LOOP® Furling Thimbles are made of high quality black anodized alloy. They have a straight pin hole and fit most common jaws of furling units. The lashing eye is smooth and round and designed to accommodate sufficient lashing to securely fasten the tack of the sail. Available in four different sizes from 9 to 15 mm rope diameter.



Product No.	Description	Material	A	B	C	D	For Pin Dia.
L-FT7	LOOP® Furling Thimble	Aluminium	44 mm	24 mm	7 mm	9 mm	8 mm
L-FT9	LOOP® Furling Thimble	Aluminium	55 mm	30 mm	9 mm	10,5 mm	8 mm
L-FT11	LOOP® Furling Thimble	Aluminium	70 mm	38 mm	11 mm	15 mm	8/10 mm
L-FT13	LOOP® Furling Thimble	Aluminium	82,5 mm	45 mm	13 mm	16,5 mm	10/12 mm
L-FT15	LOOP® Furling Thimble	Aluminium	93,5 mm	54 mm	15 mm	18,5 mm	12/14 mm



Product No.	Description	Material	A	B	C	D	E	F	Weight/g
L-FT08	LOOP® Furling Thimble	Aluminium	40 mm	18 mm	8,3 mm	8,3 mm	10 mm	8 mm	12
L-FT12	LOOP® Furling Thimble	Aluminium	60 mm	27 mm	10,5 mm	10,5 mm	16 mm	12 mm	20
L-FT16	LOOP® Furling Thimble	Aluminium	90 mm	40,5 mm	12,5 mm	12,5 mm	19,5 mm	16 mm	35
L-FT20	LOOP® Furling Thimble	Aluminium	110 mm	50 mm	14,5 mm	14,5 mm	23 mm	20 mm	45