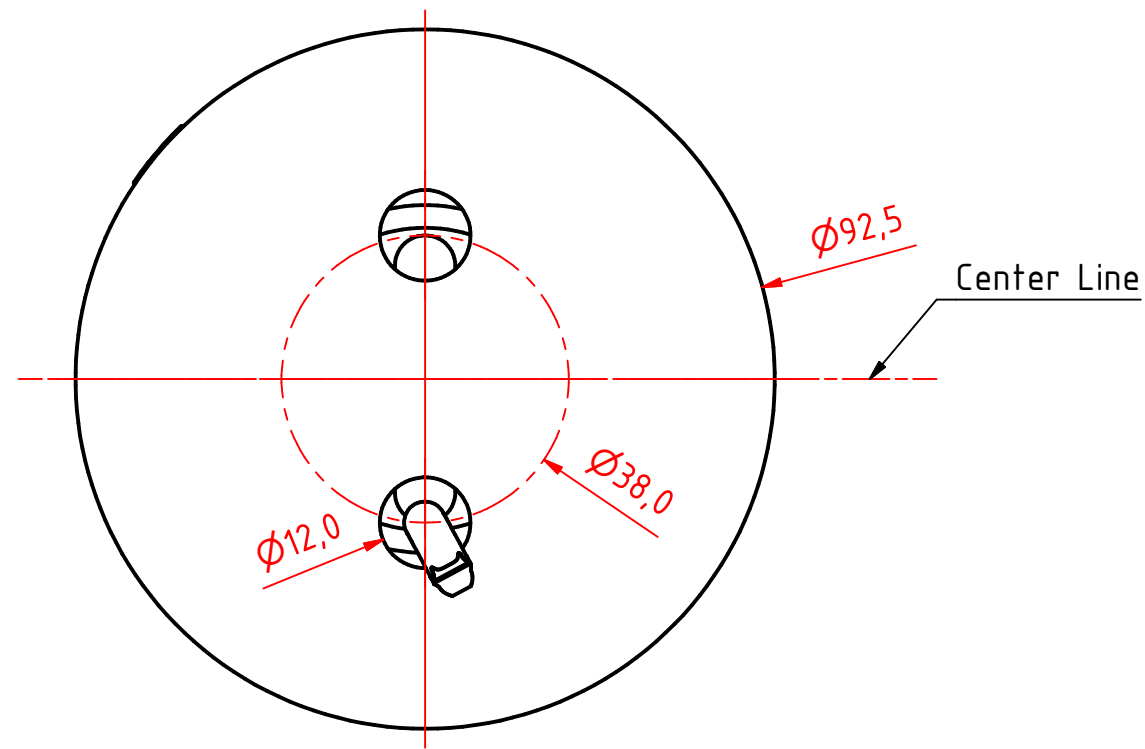
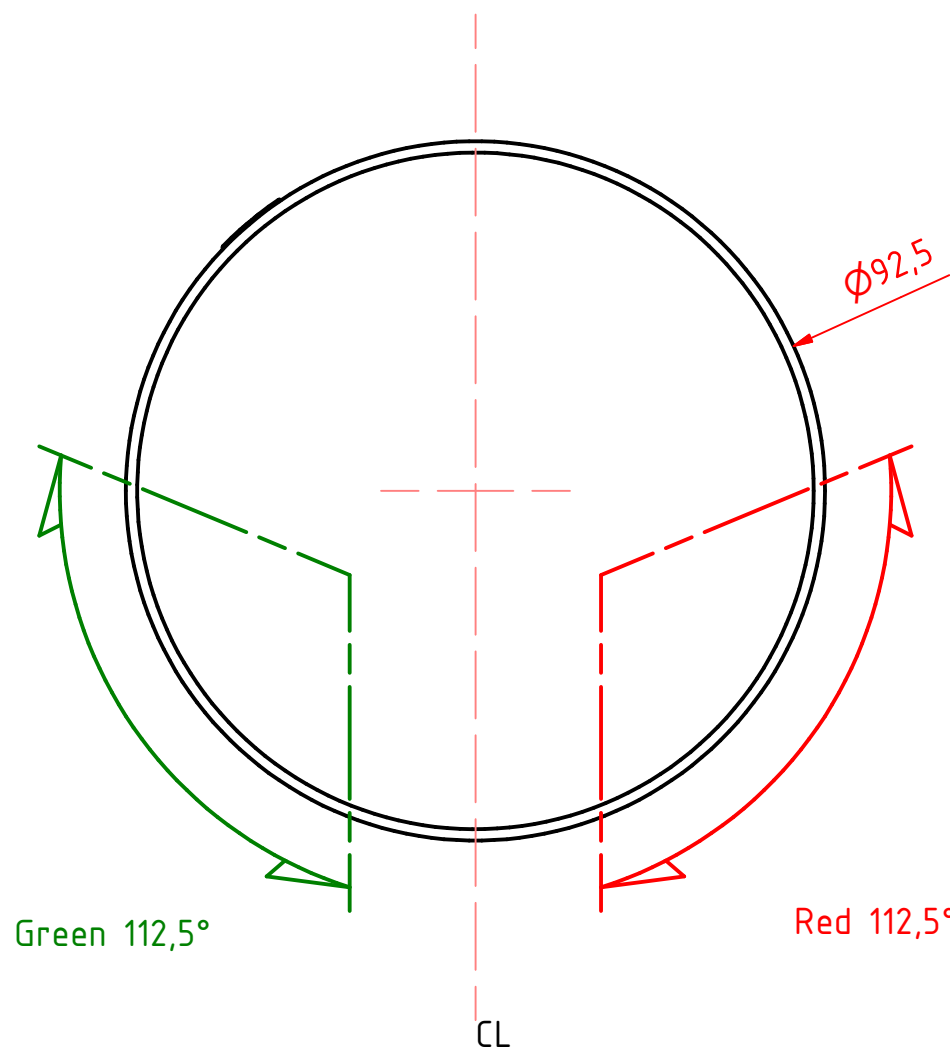


**Note:**

The PE Plastic base is intended for fitting on site and can be either drilled for mounting screws from above. 6mm screws with nuts and washers are recommended for secure mounting.

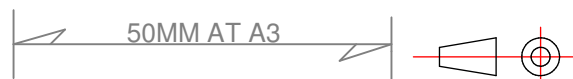


201-003 2nm comb side light, HM, on a 400-038 PE std base			
DRAWING NO.: 201-003GA	REV. NO.: 0	SIZE: A3	DRAWN BY: Sergio
SCALE: 1:1	TOLERANCES: DS/ISO 2768-f	REVIEWED BY: PHC	CREATION DATE: 24-04-2018
MATERIAL DESCRIPTION: EN 6082, Acrylic, PE			
<small>(20µ) Silver anodized according to EN ISO 7599 (50µ) Black anodized according to MIL-A 8625F</small>			

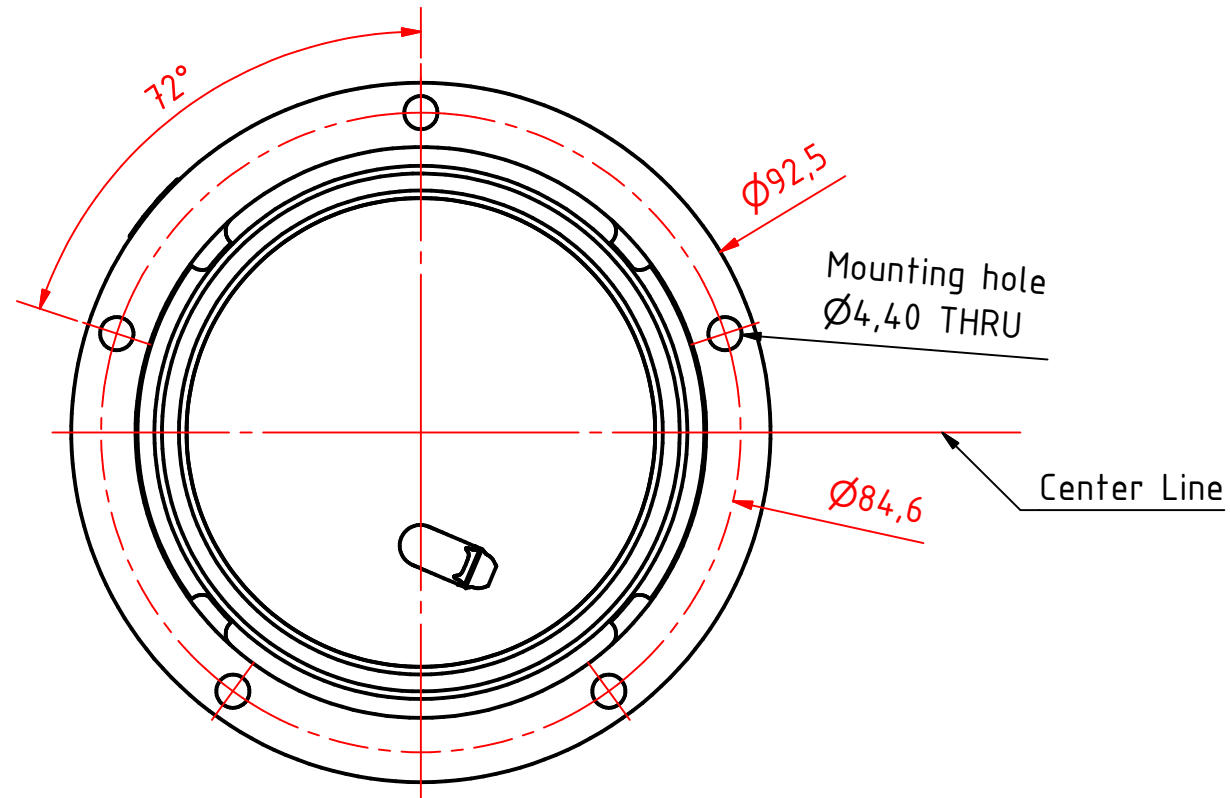
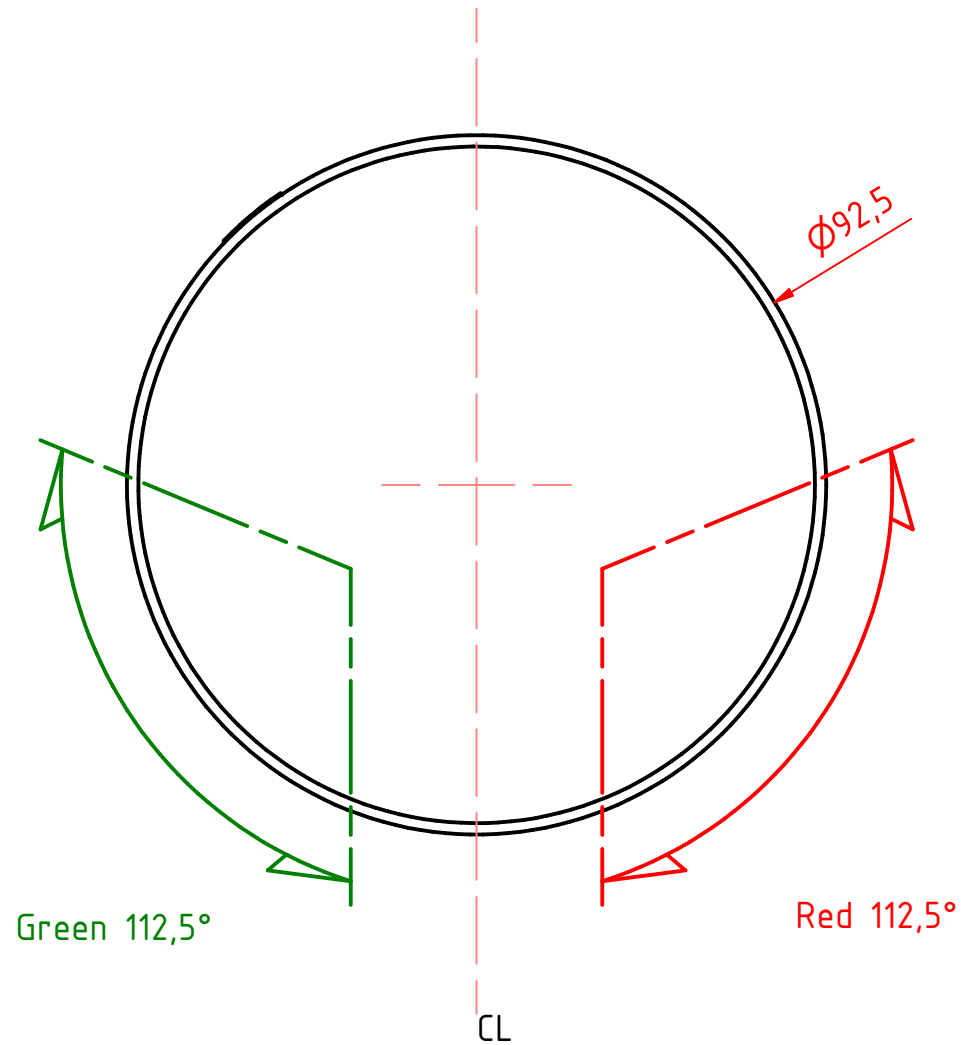
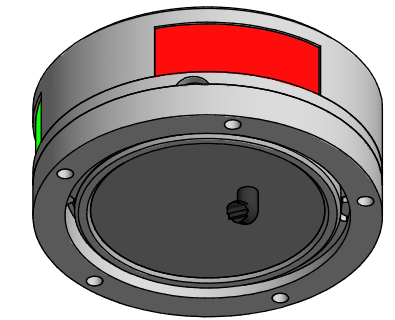
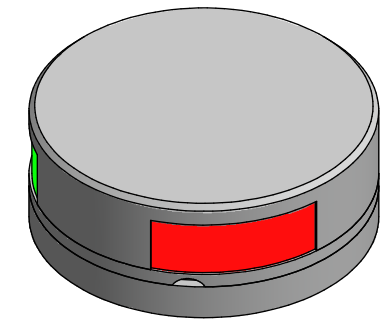
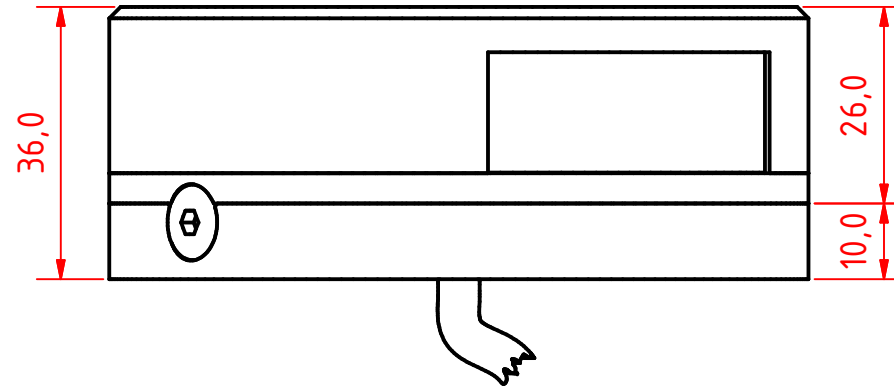
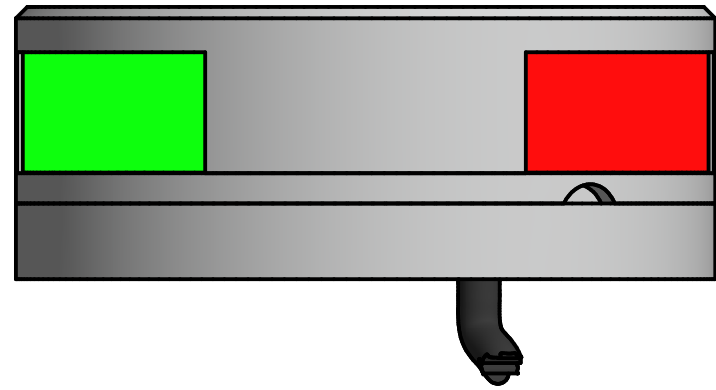


Lopolight ApS  
Bakkegaardsvej 513  
DK-3050, Humlebaek  
Denmark  
www.lopolight.com

Tel:(+45) 32 48 50 30 Fax:(+45) 32 48 50 32  
info@lopolight.com



This Drawing, and the information within, is the property of Lopolight ApS and may not be used in any form without express permission there from. Lopolight reserves the right to change this drawing and assumes no liability for the information communicated herein. Use of dimensions and other information in this drawing is at the users own risk.



201-003 2nm comb side light, HM, on a 400-036 Ultra low profile base

DRAWING NO.: 201-003IA REV. NO.: 0 SIZE: A3 DRAWN BY: Sergio

SCALE: 1:1 TOLERANCES: DS/ISO 2768-f REVIEWED BY: CREATION DATE: 24-04-2018

MATERIAL DESCRIPTION: EN 6082, Acrylic (20µ) Silver anodized according to EN ISO 7599 (50µ) Black anodized according to MIL-A 8625F

This Drawing, and the information within, is the property of Lopolight ApS and may not be used in any form without express permission there from. Lopolight reserves the right to change this drawing and assumes no liability for the information communicated herein. Use of dimensions and other information in this drawing is at the users own risk.



Lopolight ApS www.lopolight.com  
 Bakkegaardsvej 513  
 DK-3050, Humlebaek  
 Denmark

Tel:(+45) 32 48 50 30 Fax:(+45) 32 48 50 32  
 info@lopolight.com

