

Rev1 06/02/2018 Adding the PRO series sheet.

300-036, Masthead light 5 nm for vessels 20-50 meter, 400-034 Promount, Cable Down.			
DRAWING NO.: 300-036AA	REV. NO.: 1	SIZE: A3	DRAWN BY: Sergio
SCALE: 1:1	TOLERANCES: DS/ISO 2768-f	REVIEWED BY:	CREATION DATE: 28-11-2014
MATERIAL DESCRIPTION: Alu EN 6082, Acrylic.			

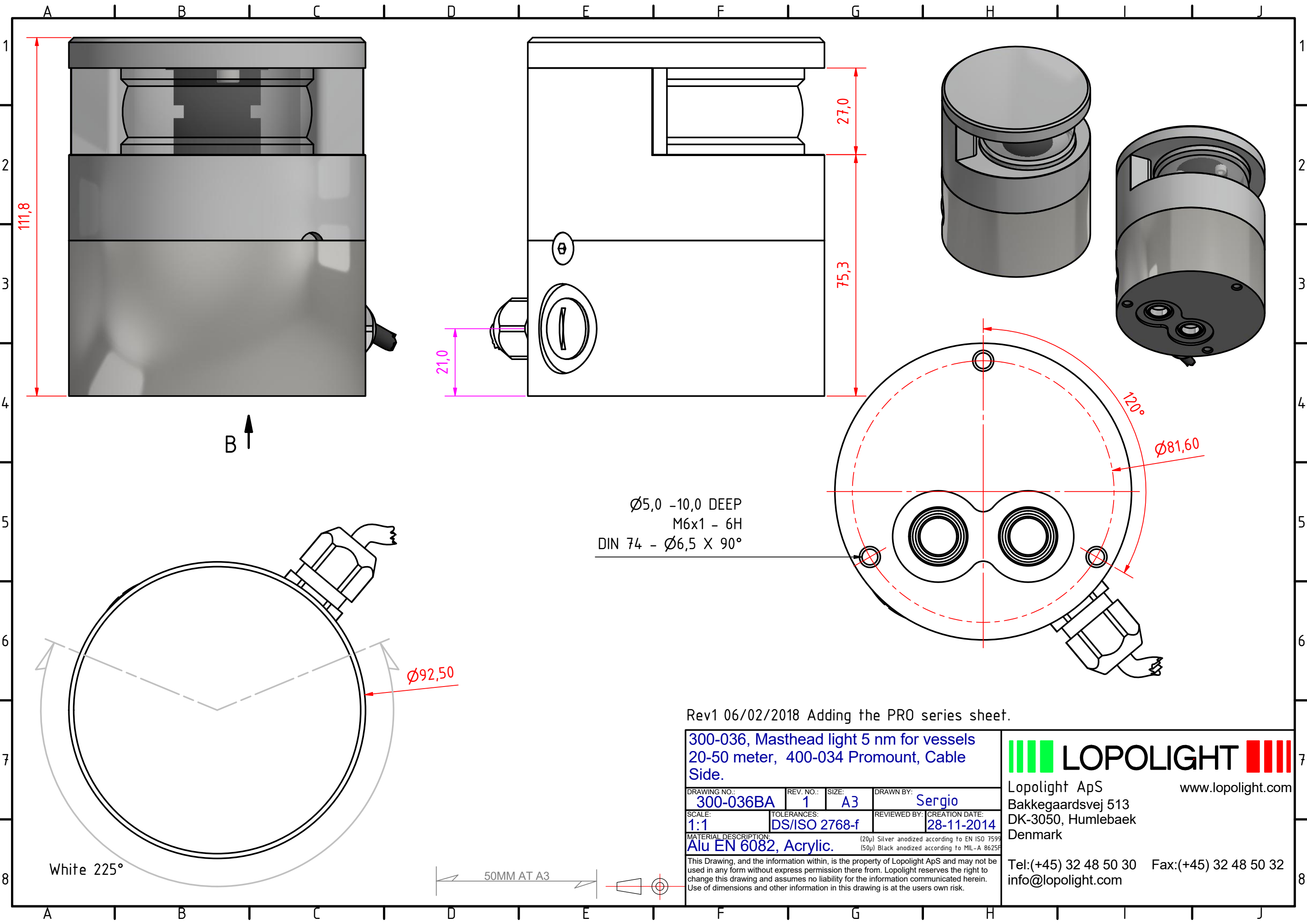
This Drawing, and the information within, is the property of Lopolight ApS and may not be used in any form without express permission there from. Lopolight reserves the right to change this drawing and assumes no liability for the information communicated herein. Use of dimensions and other information in this drawing is at the users own risk.

LOPOLIGHT

Lopolight ApS
 Bakkegaardsvej 513
 DK-3050, Humlebaek
 Denmark

www.lopolight.com

Tel:(+45) 32 48 50 30 Fax:(+45) 32 48 50 32
 info@lopolight.com



111,8

27,0

75,3

21,0

120°

Ø81,60

Ø5,0 -10,0 DEEP
M6x1 - 6H
DIN 74 - Ø6,5 X 90°

Ø92,50

White 225°

50MM AT A3

Rev1 06/02/2018 Adding the PRO series sheet.

**300-036, Masthead light 5 nm for vessels
20-50 meter, 400-034 Promount, Cable
Side.**

DRAWING NO.: 300-036BA	REV. NO.: 1	SIZE: A3	DRAWN BY: Sergio
SCALE: 1:1	TOLERANCES: DS/ISO 2768-f	REVIEWED BY:	CREATION DATE: 28-11-2014

MATERIAL DESCRIPTION:
Alu EN 6082, Acrylic. (20µ) Silver anodized according to EN ISO 7599
(50µ) Black anodized according to MIL-A 8625F

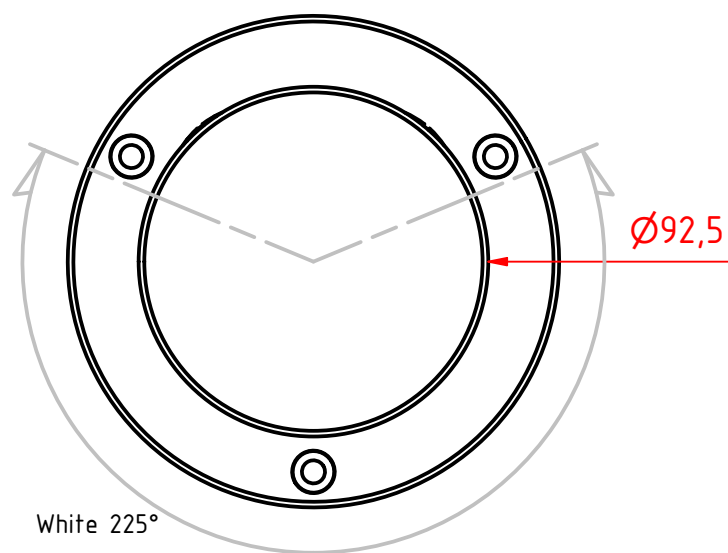
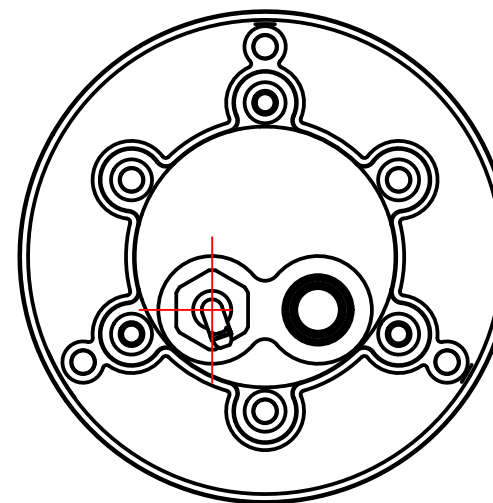
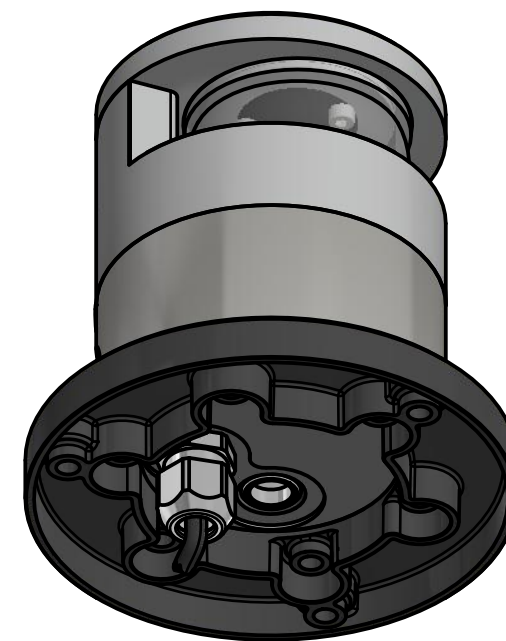
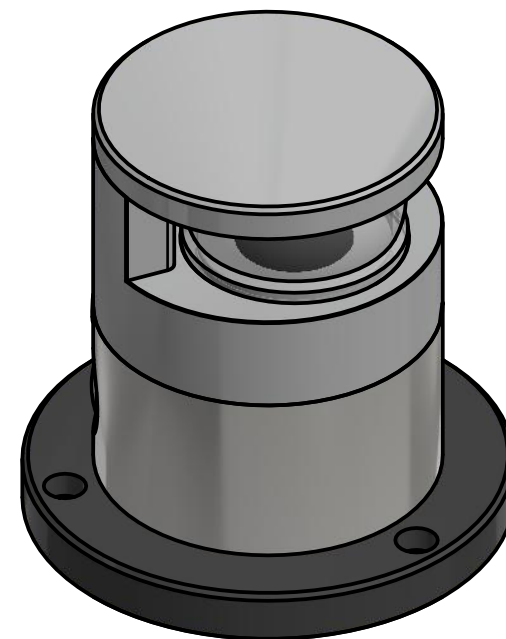
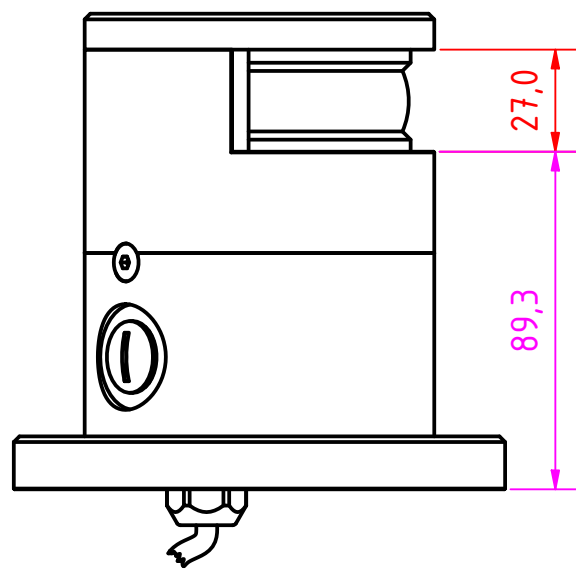
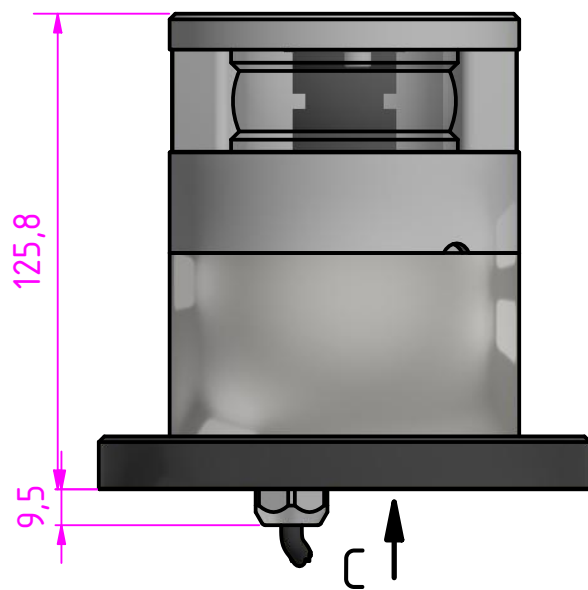
This Drawing, and the information within, is the property of Lopolight ApS and may not be used in any form without express permission there from. Lopolight reserves the right to change this drawing and assumes no liability for the information communicated herein. Use of dimensions and other information in this drawing is at the users own risk.



LOPOLIGHT
Lopolight ApS
Bakkegaardsvej 513
DK-3050, Humlebaek
Denmark

www.lopolight.com

Tel:(+45) 32 48 50 30 Fax:(+45) 32 48 50 32
info@lopolight.com



Rev1 06/02/2018 Adding the PRO series sheet.

**300-036, Masthead light 5 nm for vessels
20-50 meter, 400-034 Promount, 400-404
PE Base Plate, Cable Down.**

DRAWING NO.: 300-036CA	REV. NO.: 1	SIZE: A3	DRAWN BY: Sergio
SCALE: 1:2	TOLERANCES: DS/ISO 2768-f	REVIEWED BY:	CREATION DATE: 28-11-2014

MATERIAL DESCRIPTION:
Alu EN 6082, Acrylic, PE (20µ) Silver anodized according to EN ISO 7599
(50µ) Black anodized according to MIL-A 8625F

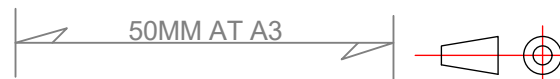
This Drawing, and the information within, is the property of Lopolight ApS and may not be used in any form without express permission there from. Lopolight reserves the right to change this drawing and assumes no liability for the information communicated herein. Use of dimensions and other information in this drawing is at the users own risk.

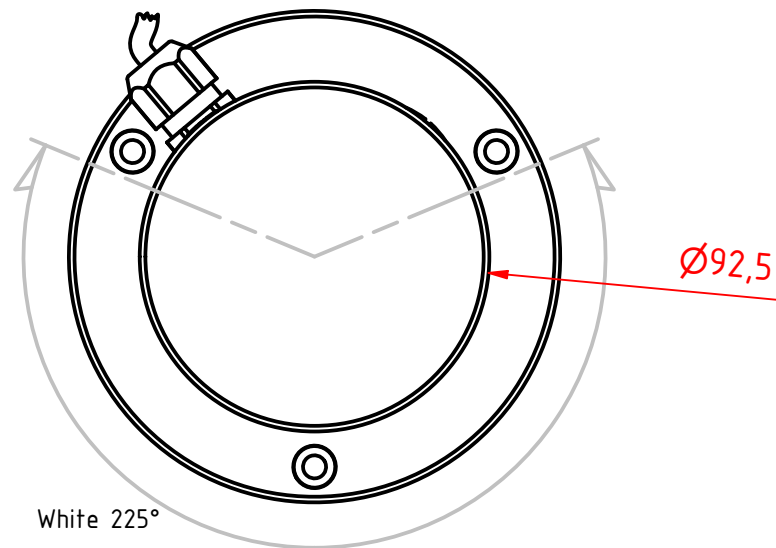
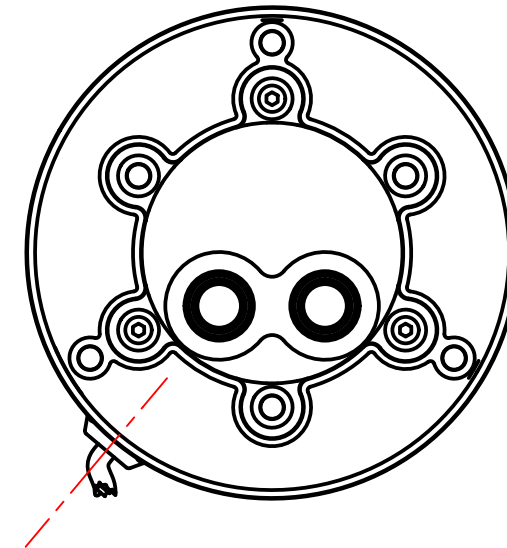
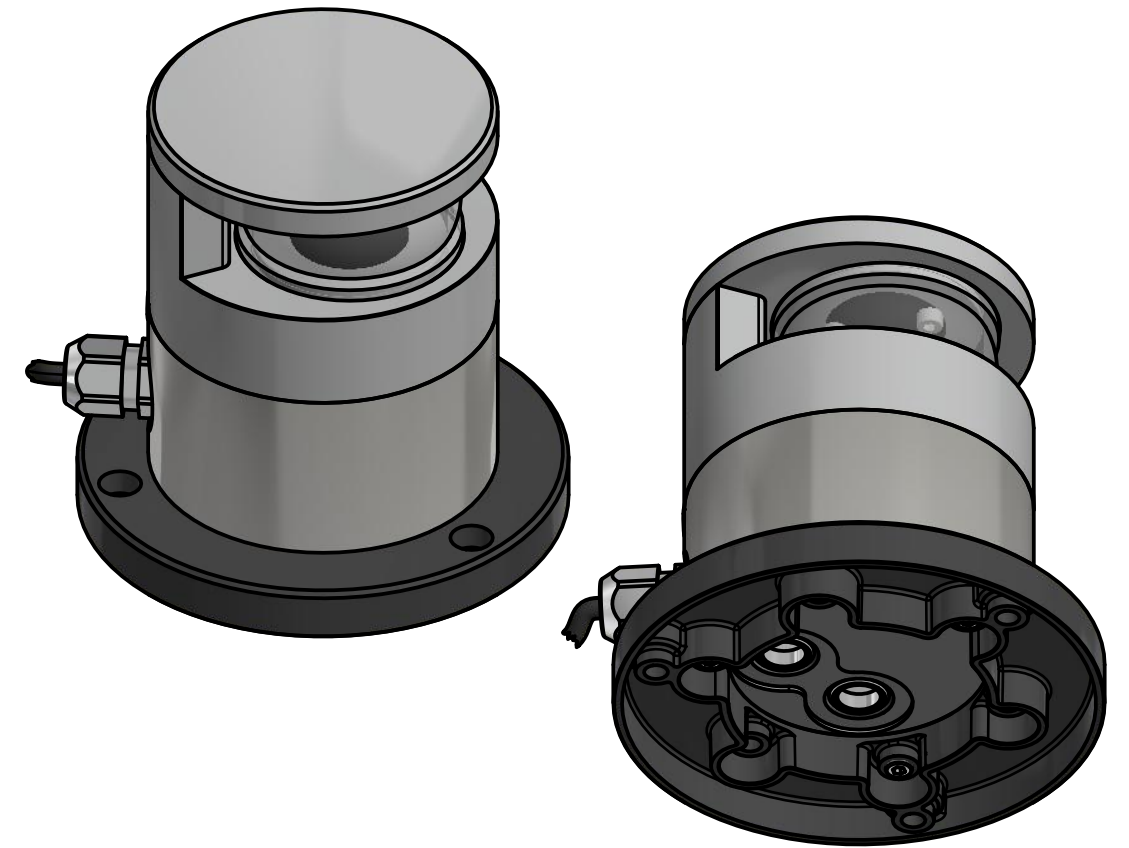
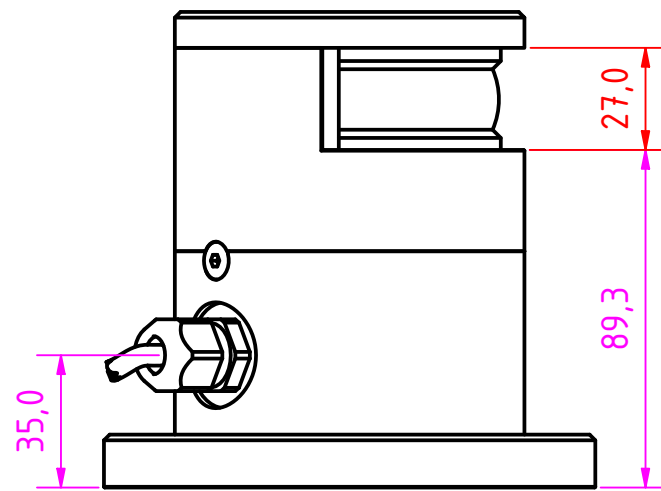
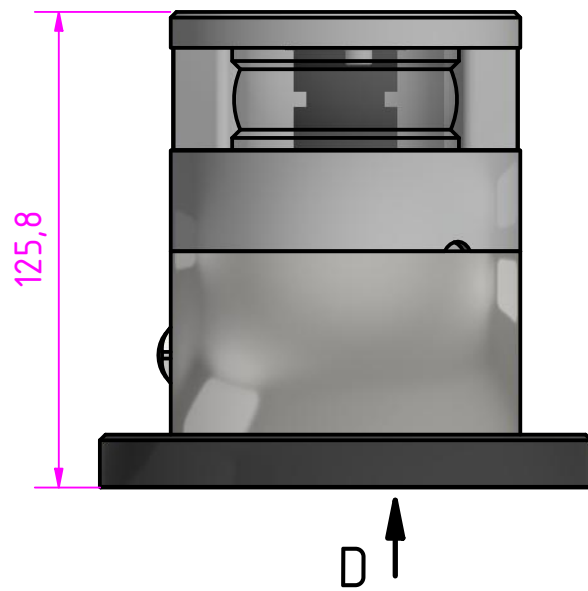


LOPOLIGHT
Lopolight ApS
Bakkegaardsvej 513
DK-3050, Humlebaek
Denmark

www.lopolight.com

Tel: (+45) 32 48 50 30 Fax: (+45) 32 48 50 32
info@lopolight.com





Rev1 06/02/2018 Adding the PRO series sheet.

**300-036, Masthead light 5 nm for vessels
20-50 meter, 400-034 Promount, 400-404
PE Base Plate, Cable Side.**

DRAWING NO.: 300-036DA	REV. NO.: 1	SIZE: A3	DRAWN BY: Sergio
SCALE: 1:1	TOLERANCES: DS/ISO 2768-f	REVIEWED BY:	CREATION DATE: 28-11-2014

MATERIAL DESCRIPTION:
Alu EN 6082, Acrylic, PE (20µ) Silver anodized according to EN ISO 7599
(50µ) Black anodized according to MIL-A 8625F

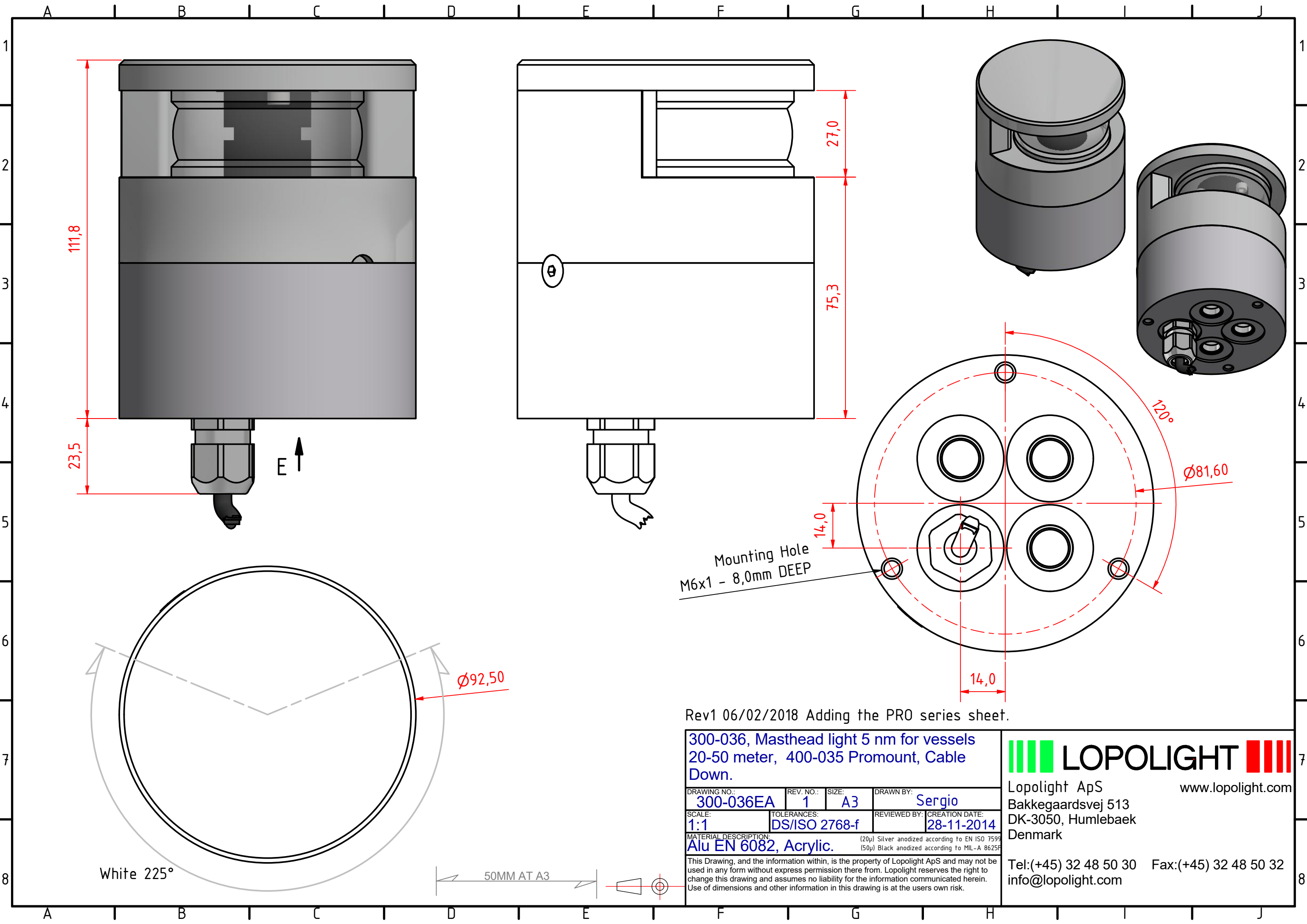
This Drawing, and the information within, is the property of Lopolight ApS and may not be used in any form without express permission there from. Lopolight reserves the right to change this drawing and assumes no liability for the information communicated herein. Use of dimensions and other information in this drawing is at the users own risk.



LOPOLIGHT
Lopolight ApS
Bakkegaardsvej 513
DK-3050, Humlebaek
Denmark

Tel:(+45) 32 48 50 30 Fax:(+45) 32 48 50 32
info@lopolight.com





Rev1 06/02/2018 Adding the PRO series sheet.

**300-036, Masthead light 5 nm for vessels
20-50 meter, 400-035 Promount, Cable
Down.**

DRAWING NO.: 300-036EA	REV. NO.: 1	SIZE: A3	DRAWN BY: Sergio
SCALE: 1:1	TOLERANCES: DS/ISO 2768-f	REVIEWED BY:	CREATION DATE: 28-11-2014

MATERIAL DESCRIPTION:
Alu EN 6082, Acrylic. (20 μ) Silver anodized according to EN ISO 7599
(50 μ) Black anodized according to MIL-A 8625F

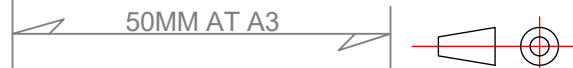
This Drawing, and the information within, is the property of Lopolight ApS and may not be used in any form without express permission there from. Lopolight reserves the right to change this drawing and assumes no liability for the information communicated herein. Use of dimensions and other information in this drawing is at the users own risk.

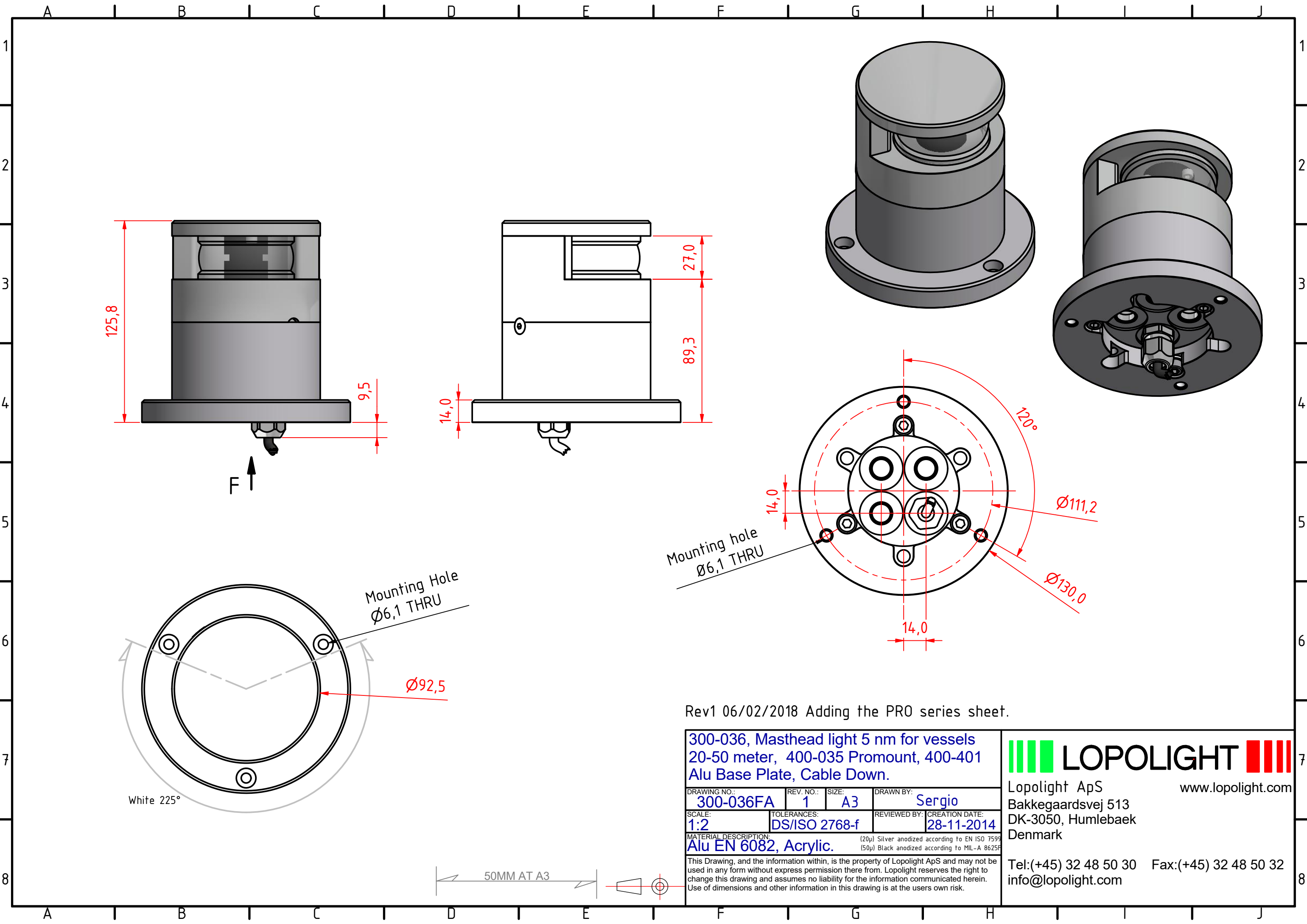


Lopolight ApS
Bakkegaardsvej 513
DK-3050, Humlebaek
Denmark

www.lopolight.com

Tel:(+45) 32 48 50 30 Fax:(+45) 32 48 50 32
info@lopolight.com





Rev1 06/02/2018 Adding the PRO series sheet.

**300-036, Masthead light 5 nm for vessels
20-50 meter, 400-035 Promount, 400-401
Alu Base Plate, Cable Down.**

DRAWING NO.: 300-036FA	REV. NO.: 1	SIZE: A3	DRAWN BY: Sergio
----------------------------------	-----------------------	--------------------	----------------------------

SCALE: 1:2	TOLERANCES: DS/ISO 2768-f	REVIEWED BY:	CREATION DATE: 28-11-2014
----------------------	-------------------------------------	--------------	-------------------------------------

MATERIAL DESCRIPTION:
Alu EN 6082, Acrylic. (20µ) Silver anodized according to EN ISO 7599
(50µ) Black anodized according to MIL-A 8625F

This Drawing, and the information within, is the property of Lopolight ApS and may not be used in any form without express permission there from. Lopolight reserves the right to change this drawing and assumes no liability for the information communicated herein. Use of dimensions and other information in this drawing is at the users own risk.

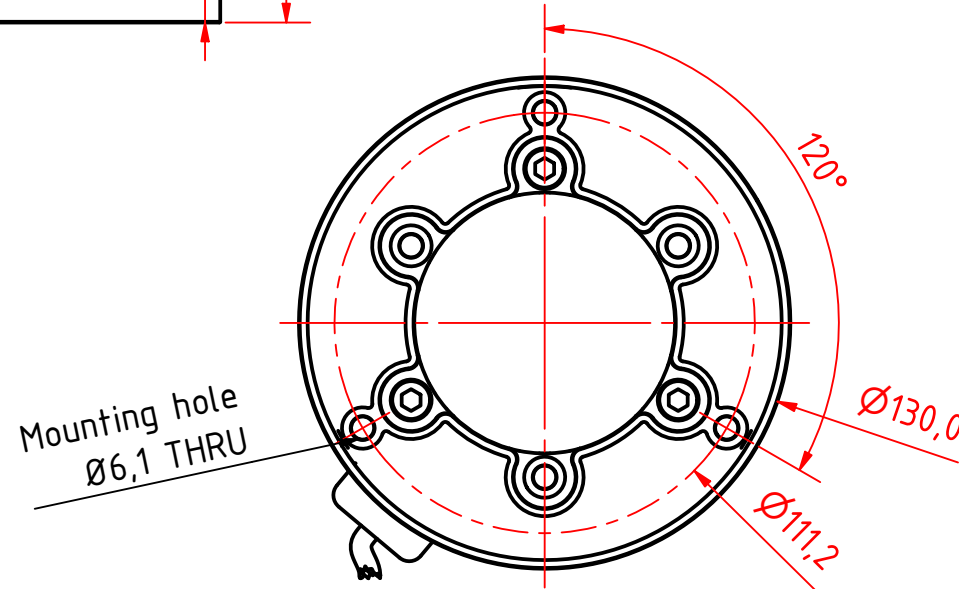
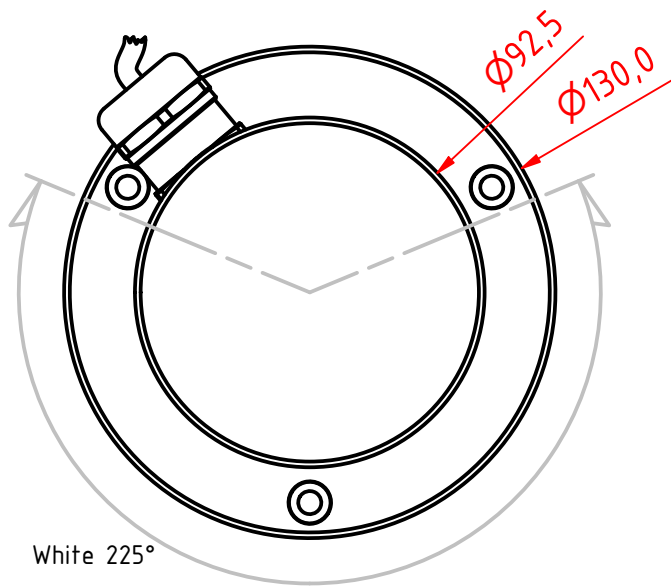
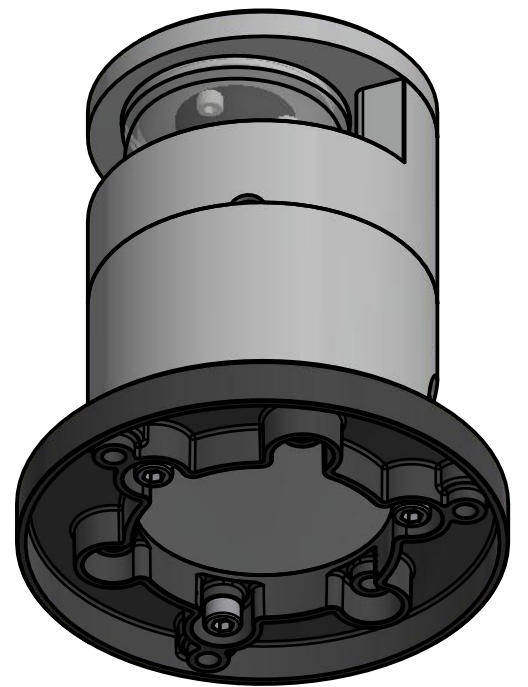
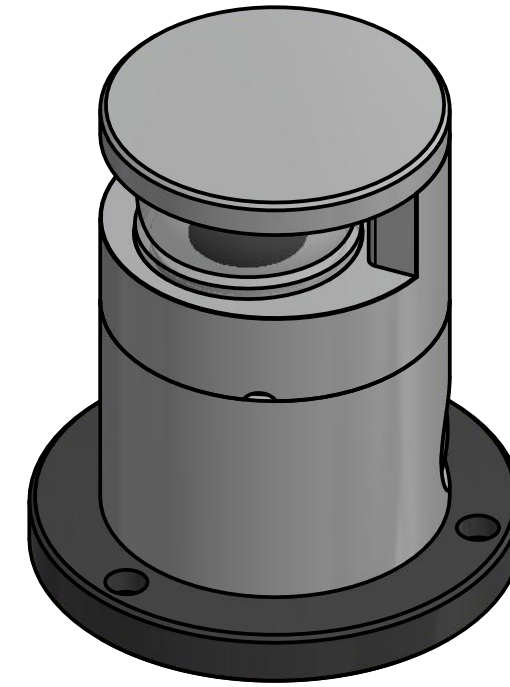
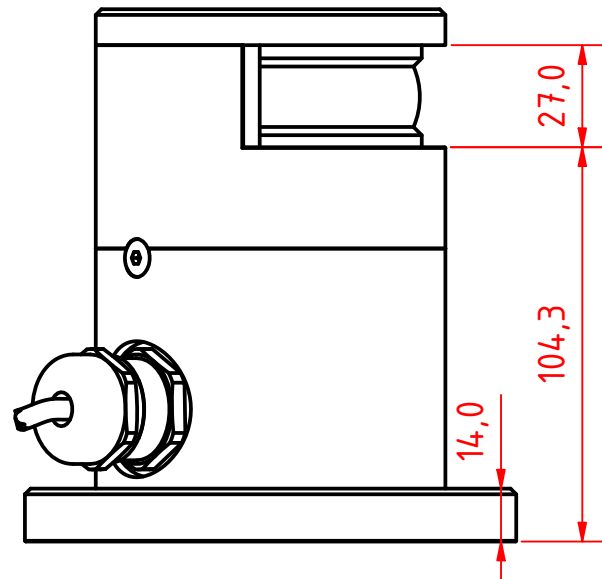
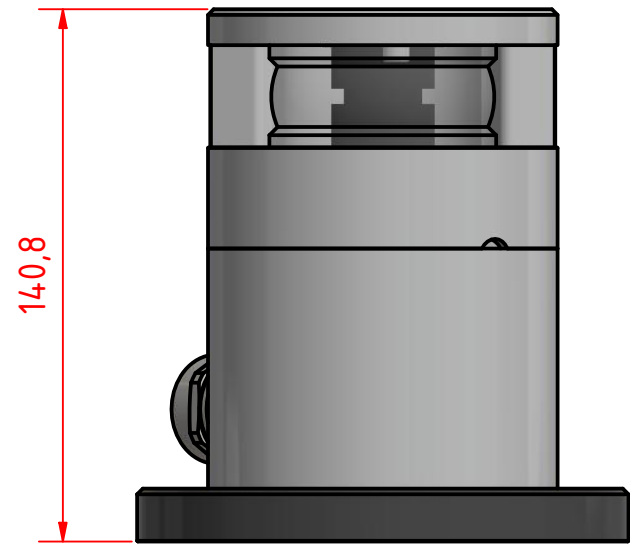


Lopolight ApS
Bakkegaardsvej 513
DK-3050, Humlebaek
Denmark

www.lopolight.com

Tel:(+45) 32 48 50 30 Fax:(+45) 32 48 50 32
info@lopolight.com

50MM AT A3



Rev1 06/02/2018 Adding the PRO series sheet.

**300-036, Masthead light 5 nm for vessels
20-50 meter, PRO-Series Promount,
400-401 PE Base plate, cable side**

DRAWING NO.:	REV. NO.:	SIZE:	DRAWN BY:
300-036GA	1	A3	Sergio

SCALE:	TOLERANCES:	REVIEWED BY:	CREATION DATE:
1:2	DS/ISO 2768-f		28-11-2014

MATERIAL DESCRIPTION:
Alu EN 6082, Acrylic, PE (20µ) Silver anodized according to EN ISO 7599
(50µ) Black anodized according to MIL-A 8625F

This Drawing, and the information within, is the property of Lopolight ApS and may not be used in any form without express permission there from. Lopolight reserves the right to change this drawing and assumes no liability for the information communicated herein. Use of dimensions and other information in this drawing is at the users own risk.



Lopolight ApS www.lopolight.com
Bakkegaardsvej 513
DK-3050, Humlebaek
Denmark

Tel:(+45) 32 48 50 30 Fax:(+45) 32 48 50 32
info@lopolight.com

