

White 360

$\varnothing 92,5$

3 x M6x1 10,0 DEEP

120°

$\varnothing 81,6$

14,0

14,0

74,5

23,5

16,0

52,5

300-112G2, 360° White - Anchor on a 400-034 Promount base, Cable Down

DRAWING NO.:	REV. NO.:	SIZE:	DRAWN BY:
300-112G2-BA	0	A3	Thomas
SCALE:	TOLERANCES:	REVIEWED BY:	CREATION DATE:
1 : 1	DS/ISO 2768-f		25-05-2021

MATERIAL DESCRIPTION:
 Alu. EN6082, Acrylic (20µ) Silver anodized according to EN ISO 7599 (50µ) Black anodized according to MIL-A 8625F

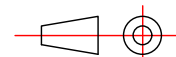
This Drawing, and the information within, is the property of Lopolight ApS and may not be used in any form without express permission there from. Lopolight reserves the right to change this drawing and assumes no liability for the information communicated herein. Use of dimensions and other information in this drawing is at the users own risk.

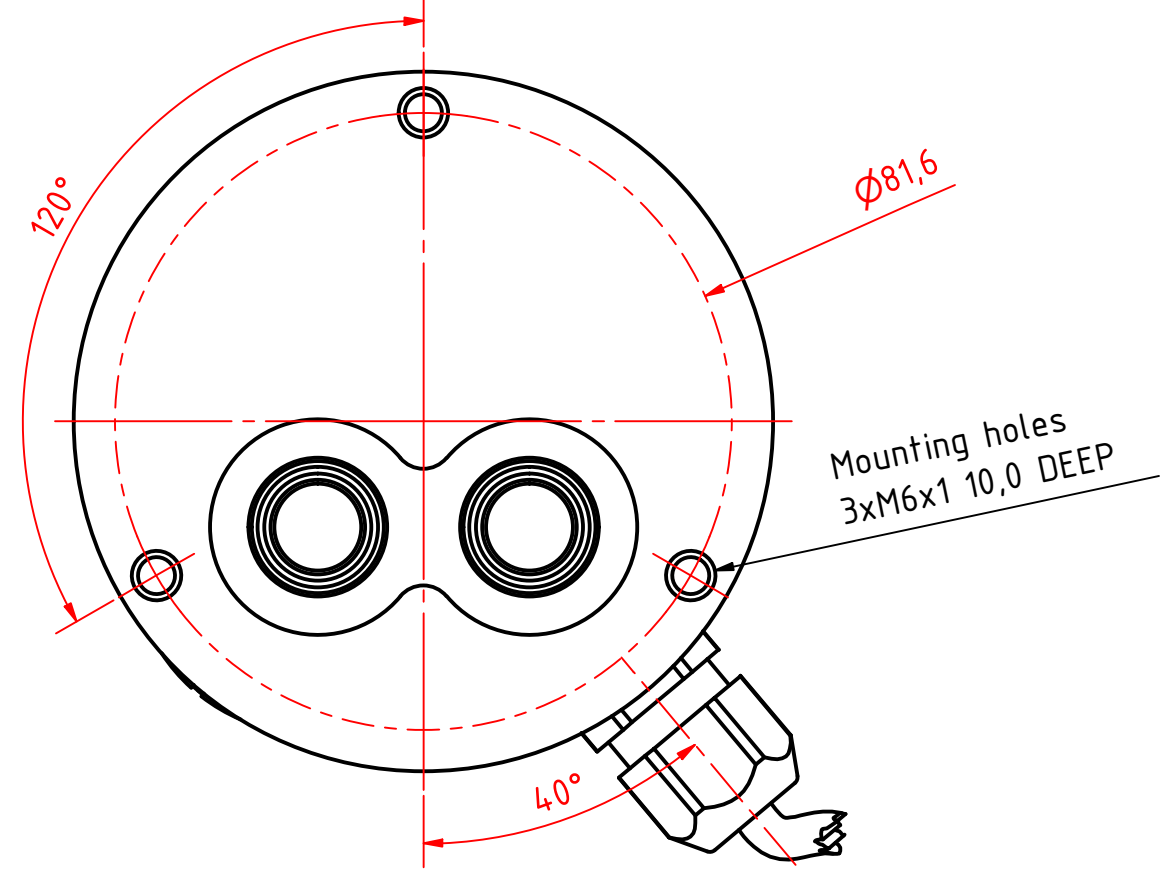
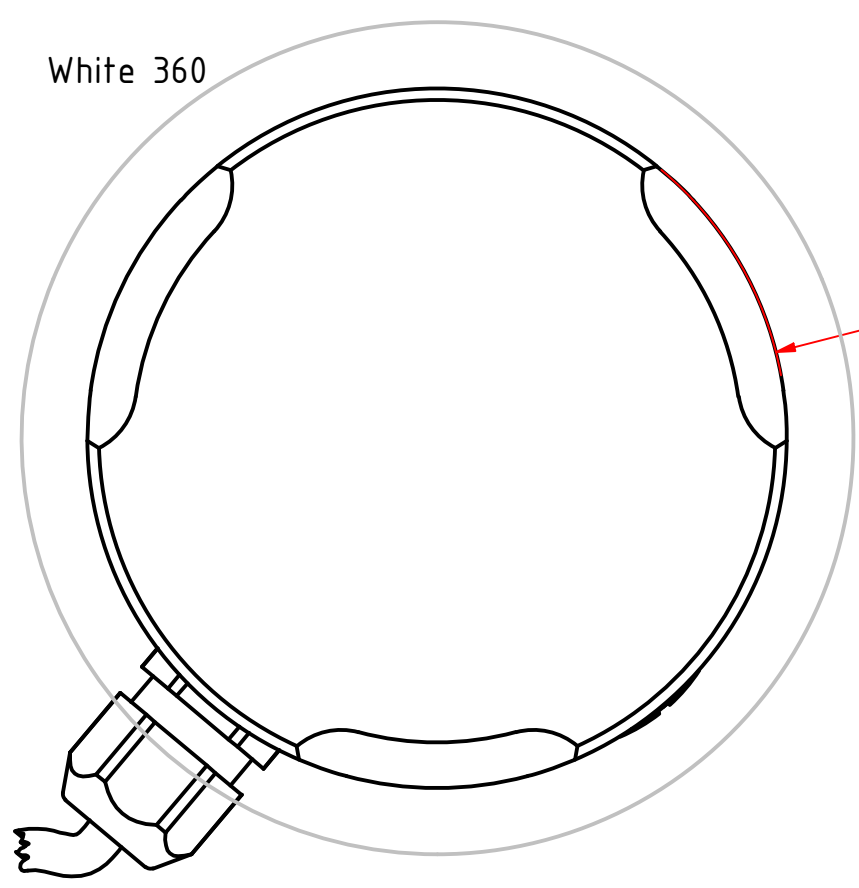
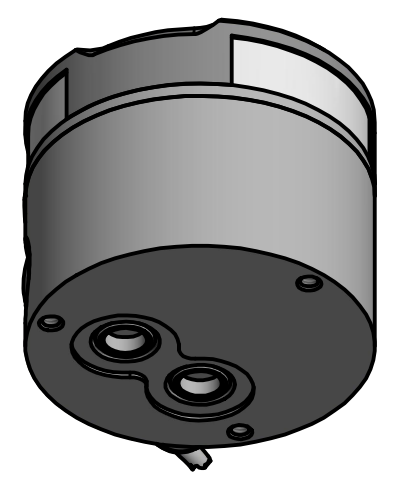
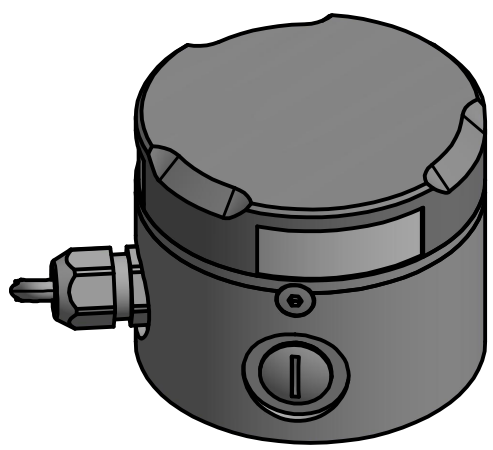
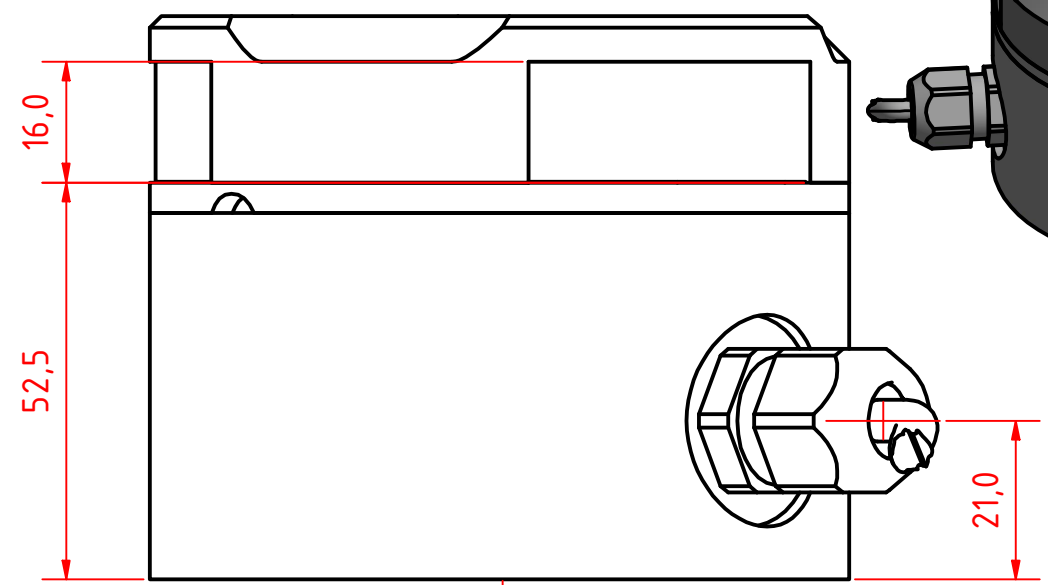
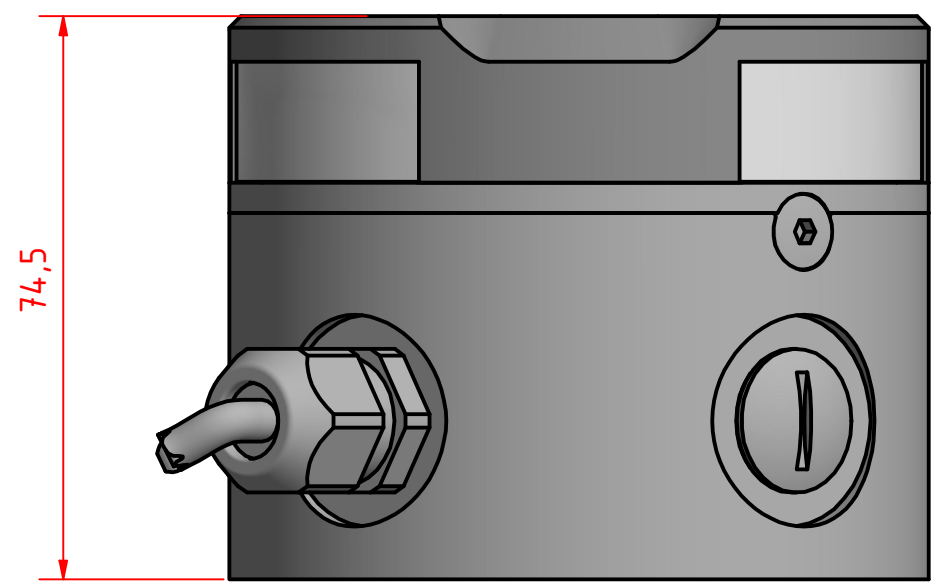


Lopolight ApS
 Bakkegaardsvej 513
 DK-3050, Humlebaek
 Denmark

Tel: (+45) 32 48 50 30 Fax: (+45) 32 48 50 32
 info@lopolight.com

50MM AT A3





300-112G2, 360° White - Anchor on a
400-034 Promount base, Cable Side

DRAWING NO.:	REV. NO.:	SIZE:	DRAWN BY:
300-112G2-CA	0	A3	Thomas
SCALE:	TOLERANCES:	REVIEWED BY:	CREATION DATE:
1 : 1	DS/ISO 2768-f		25-05-2021

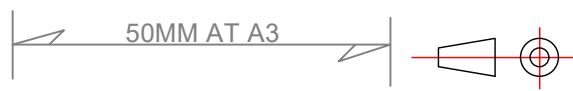
MATERIAL DESCRIPTION:
Alu. EN6082, Acrylic (20µ) Silver anodized according to EN ISO 7599
(50µ) Black anodized according to MIL-A 8625F

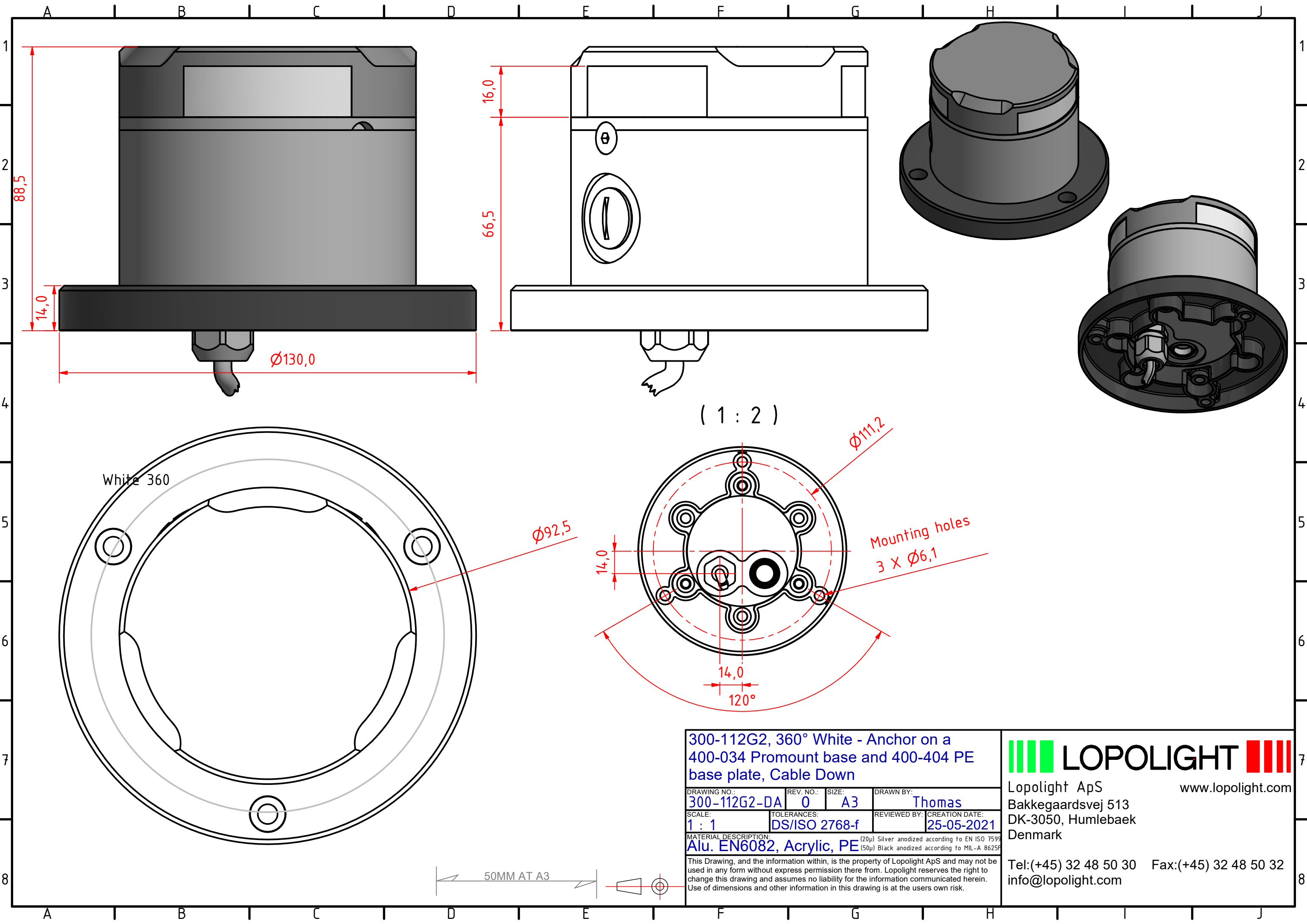
This Drawing, and the information within, is the property of Lopolight ApS and may not be used in any form without express permission there from. Lopolight reserves the right to change this drawing and assumes no liability for the information communicated herein. Use of dimensions and other information in this drawing is at the users own risk.



Lopolight ApS
Bakkegaardsvej 513
DK-3050, Humlebaek
Denmark

Tel:(+45) 32 48 50 30 Fax:(+45) 32 48 50 32
info@lopolight.com





300-112G2, 360° White - Anchor on a 400-034 Promount base and 400-404 PE base plate, Cable Down			
DRAWING NO.:	REV. NO.:	SIZE:	DRAWN BY:
300-112G2-DA	0	A3	Thomas
SCALE:	TOLERANCES:	REVIEWED BY:	CREATION DATE:
1 : 1	DS/ISO 2768-f		25-05-2021
MATERIAL DESCRIPTION:			
Alu. EN6082, Acrylic, PE (20µ) Silver anodized according to EN ISO 7599 (50µ) Black anodized according to MIL-A 8625F			
This Drawing, and the information within, is the property of Lopolight ApS and may not be used in any form without express permission there from. Lopolight reserves the right to change this drawing and assumes no liability for the information communicated herein. Use of dimensions and other information in this drawing is at the users own risk.			

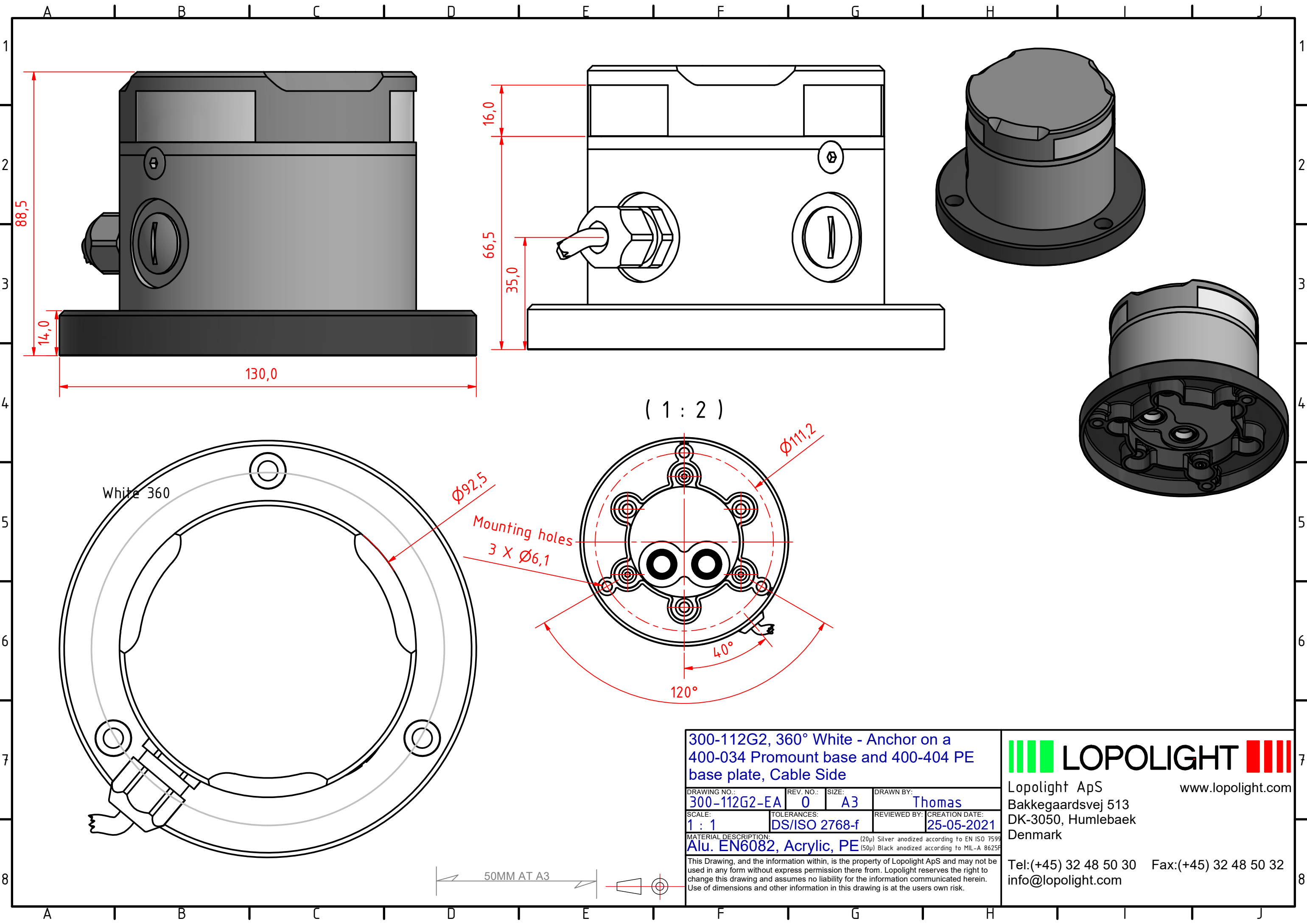
LOPOLIGHT

Lopolight ApS
 Bakkegaardsvej 513
 DK-3050, Humlebaek
 Denmark

www.lopolight.com

Tel: (+45) 32 48 50 30 Fax: (+45) 32 48 50 32
 info@lopolight.com

50MM AT A3



White 360

(1 : 2)

Mounting holes
3 X Ø6,1

Ø111,2

120°

**300-112G2, 360° White - Anchor on a
400-034 Promount base and 400-404 PE
base plate, Cable Side**

DRAWING NO.:	REV. NO.:	SIZE:	DRAWN BY:
300-112G2-EA	0	A3	Thomas
SCALE:	TOLERANCES:	REVIEWED BY:	CREATION DATE:
1 : 1	DS/ISO 2768-f		25-05-2021

MATERIAL DESCRIPTION:
Alu. EN6082, Acrylic, PE (20µ) Silver anodized according to EN ISO 7599
(50µ) Black anodized according to MIL-A 8625F

This Drawing, and the information within, is the property of Lopolight ApS and may not be used in any form without express permission there from. Lopolight reserves the right to change this drawing and assumes no liability for the information communicated herein. Use of dimensions and other information in this drawing is at the users own risk.

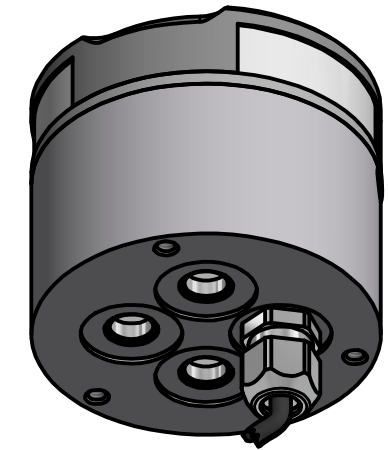
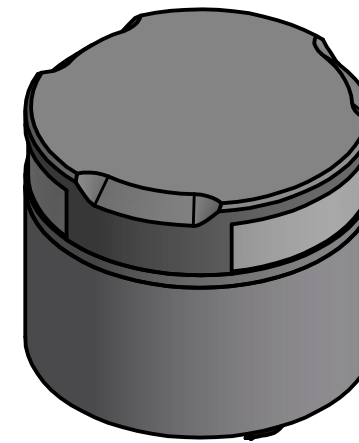
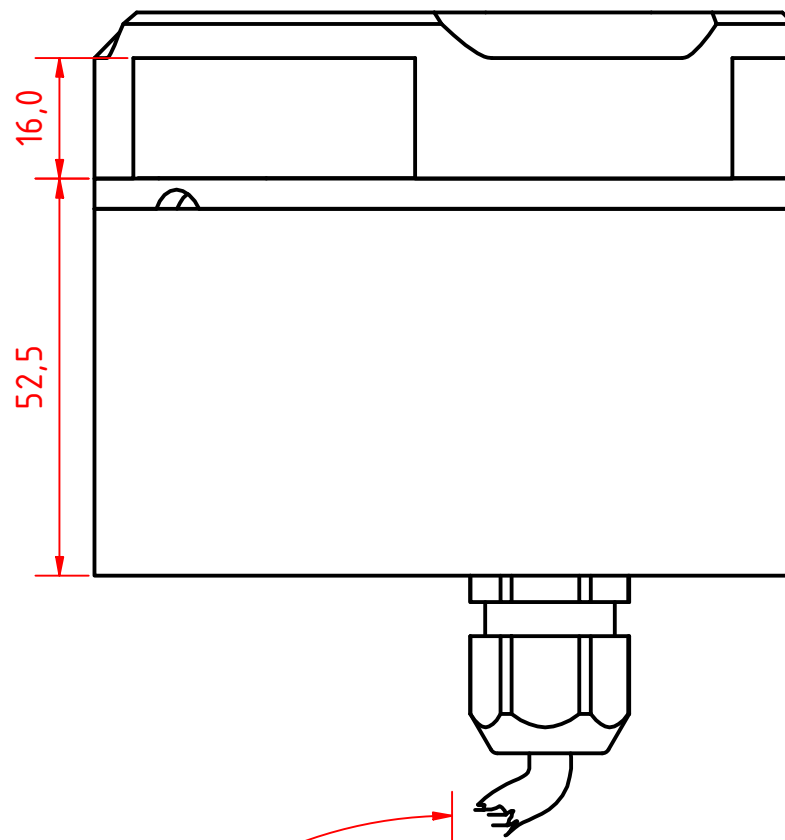
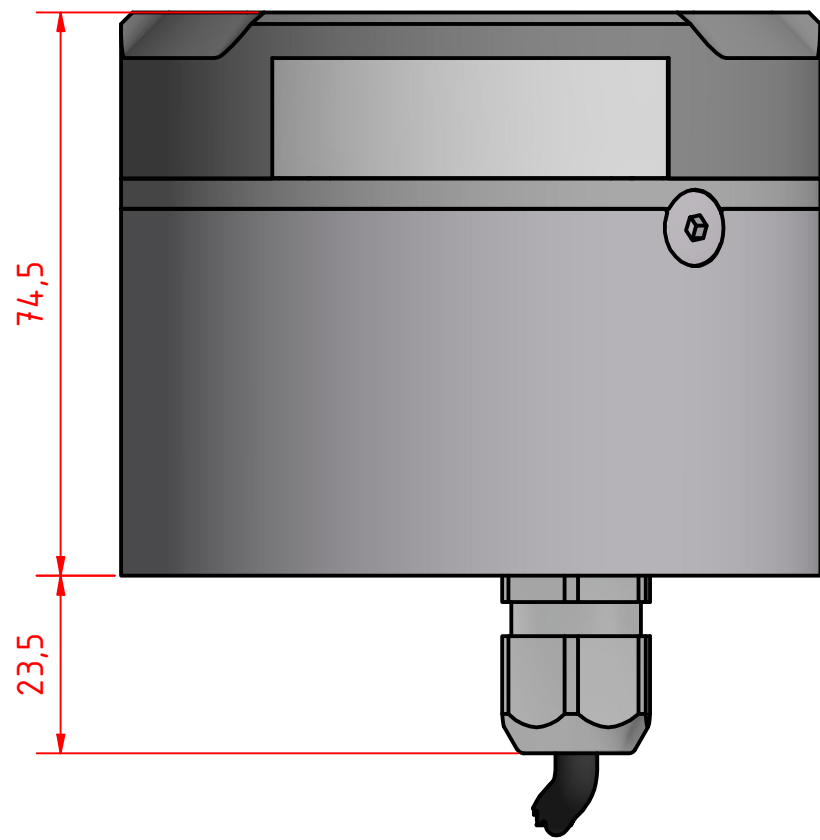


Lopolight ApS
Bakkegaardsvej 513
DK-3050, Humlebaek
Denmark

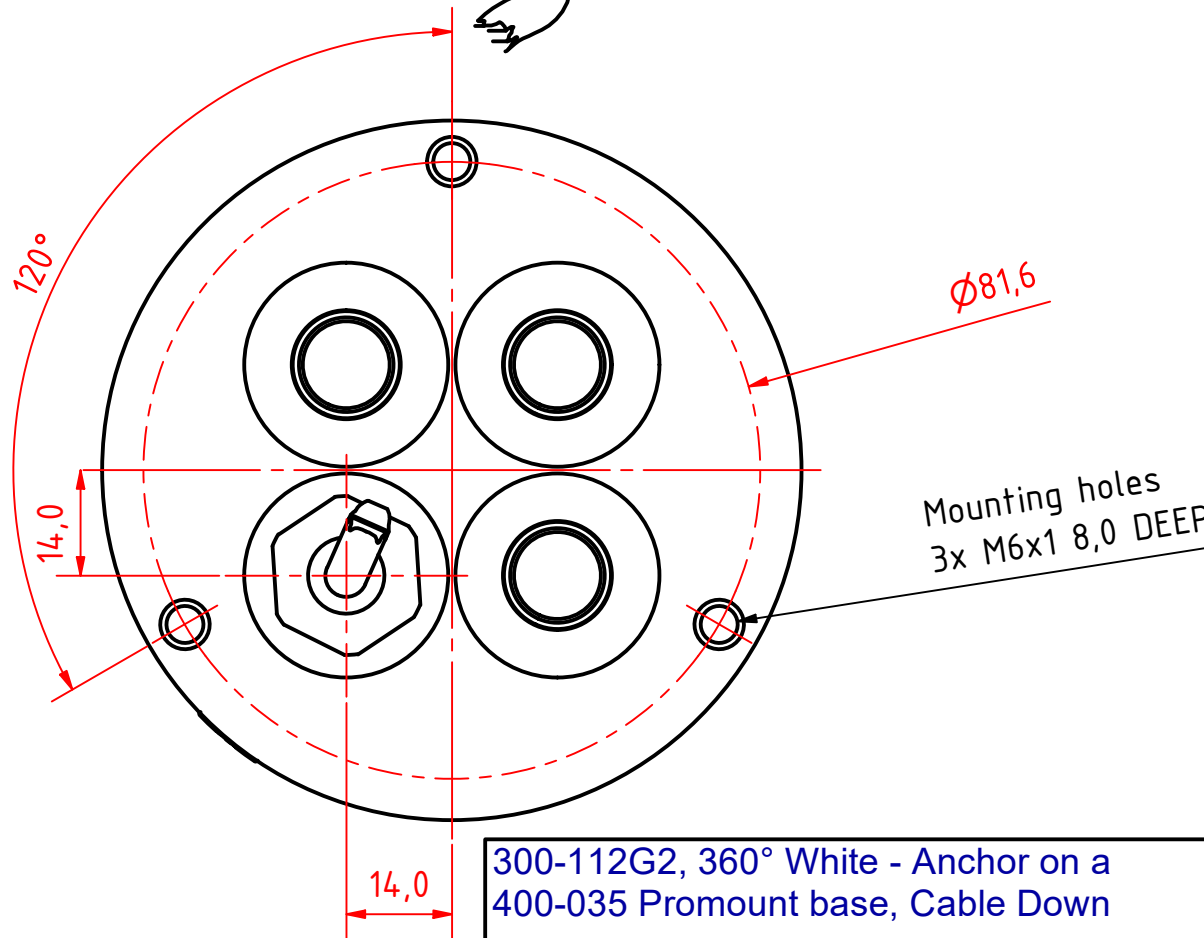
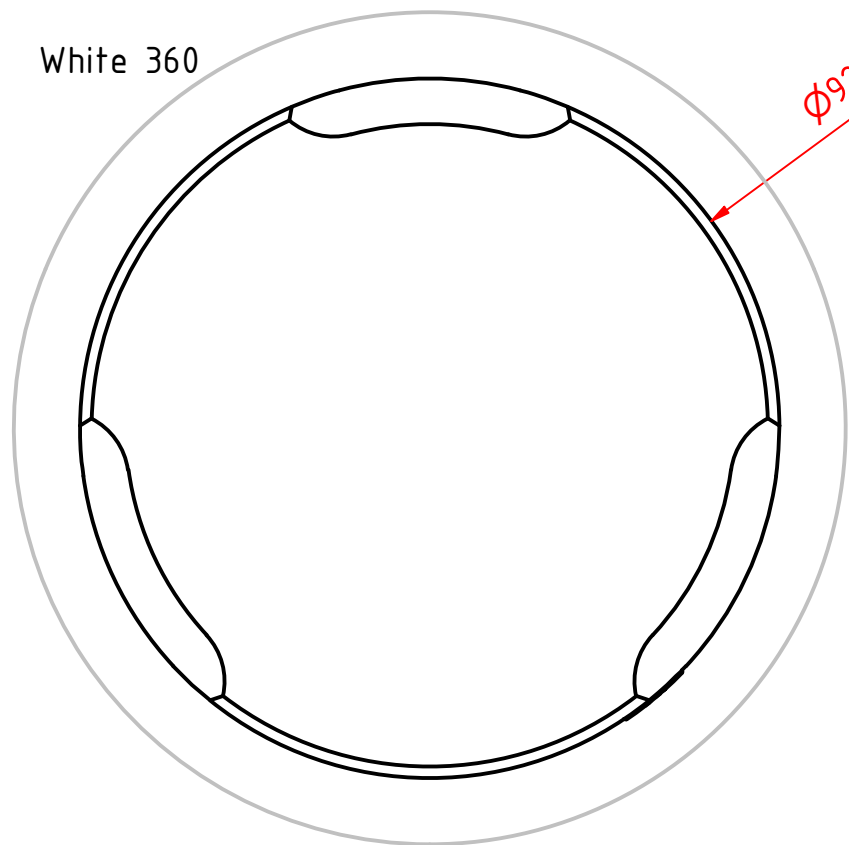
Tel:(+45) 32 48 50 30 Fax:(+45) 32 48 50 32
info@lopolight.com

www.lopolight.com

50MM AT A3



White 360



300-112G2, 360° White - Anchor on a 400-035 Promount base, Cable Down

DRAWING NO.: 300-112G2-FA	REV. NO.: 0	SIZE: A3	DRAWN BY: Thomas
SCALE: 1 : 1	TOLERANCES: DS/ISO 2768-f	REVIEWED BY:	CREATION DATE: 25-05-2021

MATERIAL DESCRIPTION:
Alu. EN6082, Acrylic (20µ) Silver anodized according to EN ISO 7599 (50µ) Black anodized according to MIL-A 8625F

This Drawing, and the information within, is the property of Lopolight ApS and may not be used in any form without express permission there from. Lopolight reserves the right to change this drawing and assumes no liability for the information communicated herein. Use of dimensions and other information in this drawing is at the users own risk.



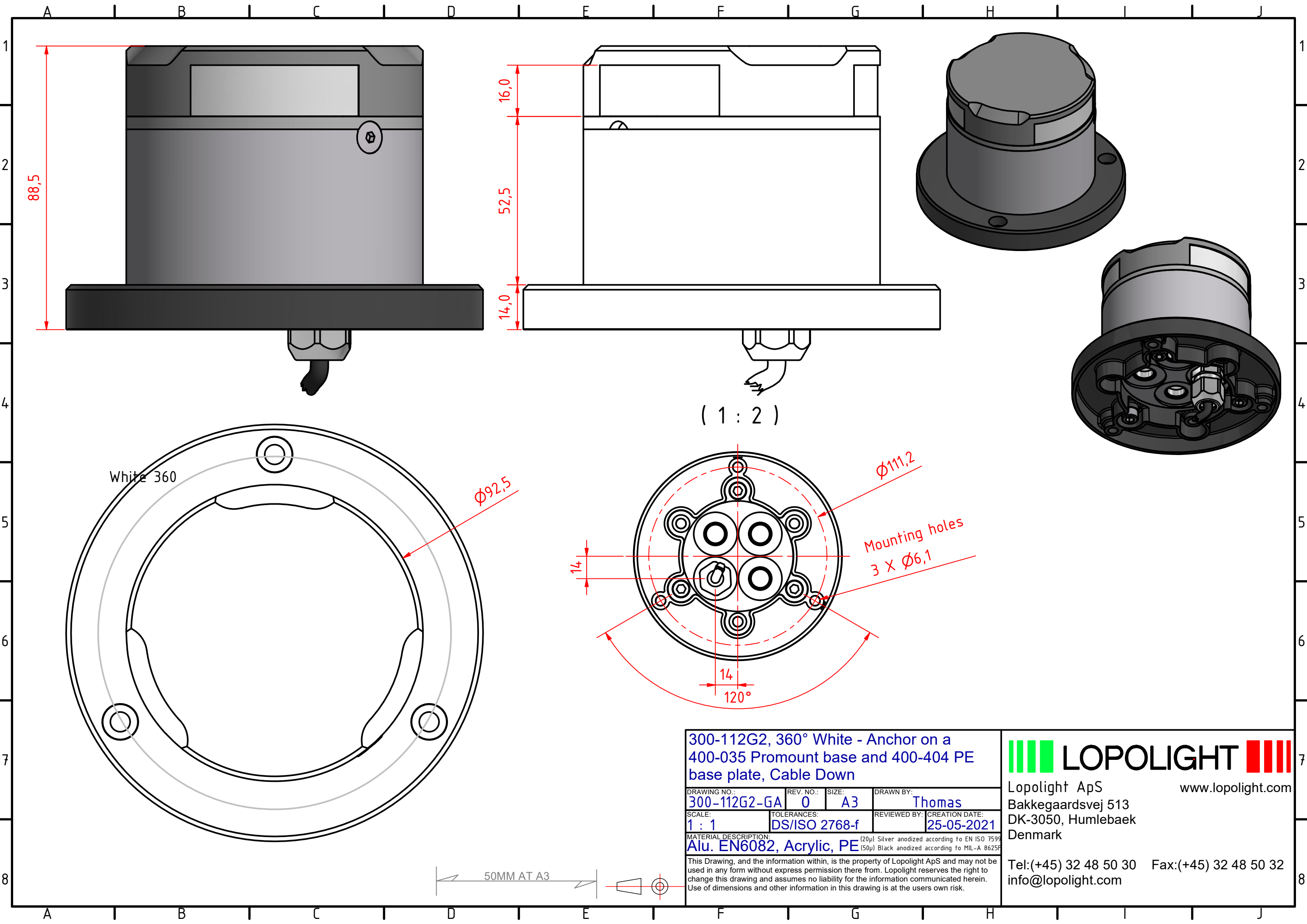
Lopolight ApS
Bakkegaardsvej 513
DK-3050, Humlebaek
Denmark

www.lopolight.com

Tel:(+45) 32 48 50 30 Fax:(+45) 32 48 50 32
info@lopolight.com

50MM AT A3





300-112G2, 360° White - Anchor on a 400-035 Promount base and 400-404 PE base plate, Cable Down

DRAWING NO.:	REV. NO.:	SIZE:	DRAWN BY:
300-112G2-GA	0	A3	Thomas

SCALE:	TOLERANCES:	REVIEWED BY:	CREATION DATE:
1 : 1	DS/ISO 2768-f		25-05-2021

MATERIAL DESCRIPTION:
 Alu. EN6082, Acrylic, PE (20µ) Silver anodized according to EN ISO 7599 (50µ) Black anodized according to MIL-A 8625F

This Drawing, and the information within, is the property of Lopolight ApS and may not be used in any form without express permission there from. Lopolight reserves the right to change this drawing and assumes no liability for the information communicated herein. Use of dimensions and other information in this drawing is at the users own risk.



Lopolight ApS
 Bakkegaardsvej 513
 DK-3050, Humlebaek
 Denmark

Tel: (+45) 32 48 50 30 Fax: (+45) 32 48 50 32
 info@lopolight.com

