

96,5
23,5

16,0
16,0
74,5
52,5

White -
Stack 360°

Ø92,5

Ø81,6

Mounting holes
3x M6x1

14,0

300-112G2ST, 360° White on a 400-034
Promount base, Cable Down

| | | | |
|----------------------------------|----------------|-------------|---------------------|
| DRAWING NO.: 300-112G2ST-BA 0 | REV. NO.: 0 | SIZE: A3 | DRAWN BY: Thomas |
|----------------------------------|----------------|-------------|---------------------|

| | | | |
|-----------------|------------------------------|--------------|------------------------------|
| SCALE: 1 : 1 | TOLERANCES: DS/ISO 2768-f | REVIEWED BY: | CREATION DATE: 25-05-2021 |
|-----------------|------------------------------|--------------|------------------------------|

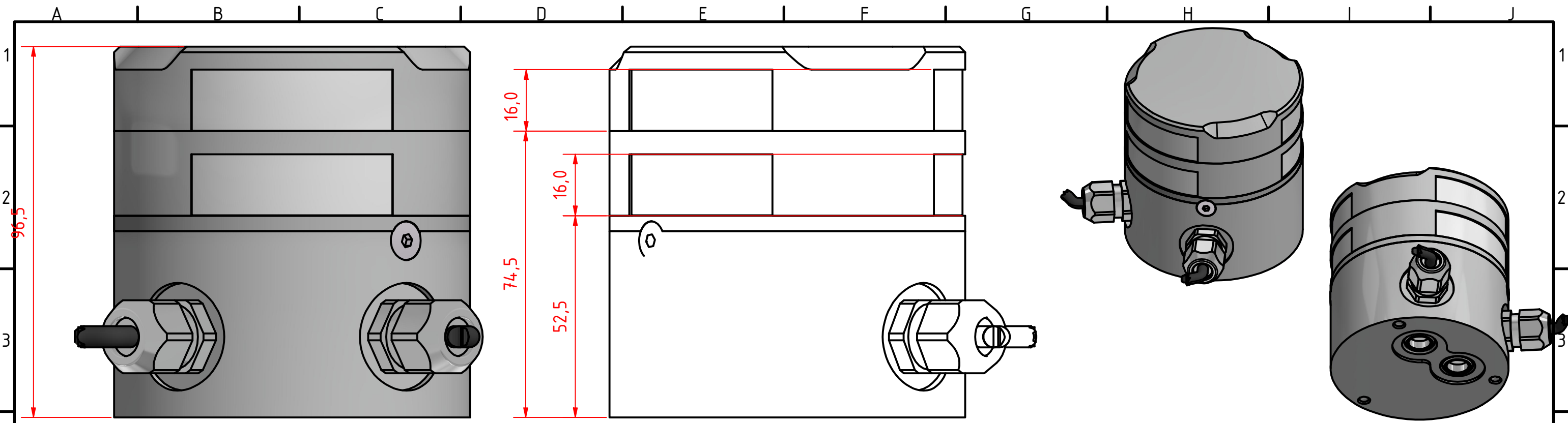
MATERIAL DESCRIPTION:
Alu. EN6082, Acrylic (20µ) Silver anodized according to EN ISO 7599
(50µ) Black anodized according to MIL-A 8625F

This Drawing, and the information within, is the property of Lopolight ApS and may not be used in any form without express permission there from. Lopolight reserves the right to change this drawing and assumes no liability for the information communicated herein. Use of dimensions and other information in this drawing is at the users own risk.

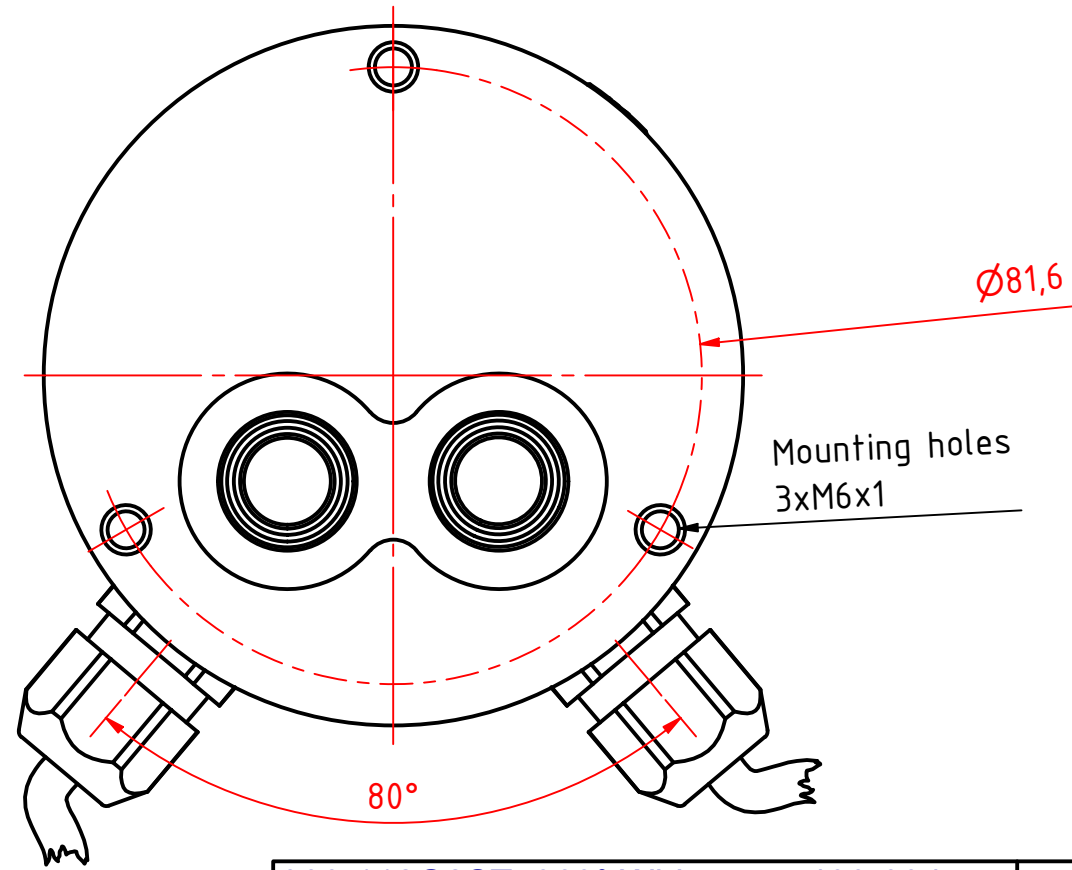
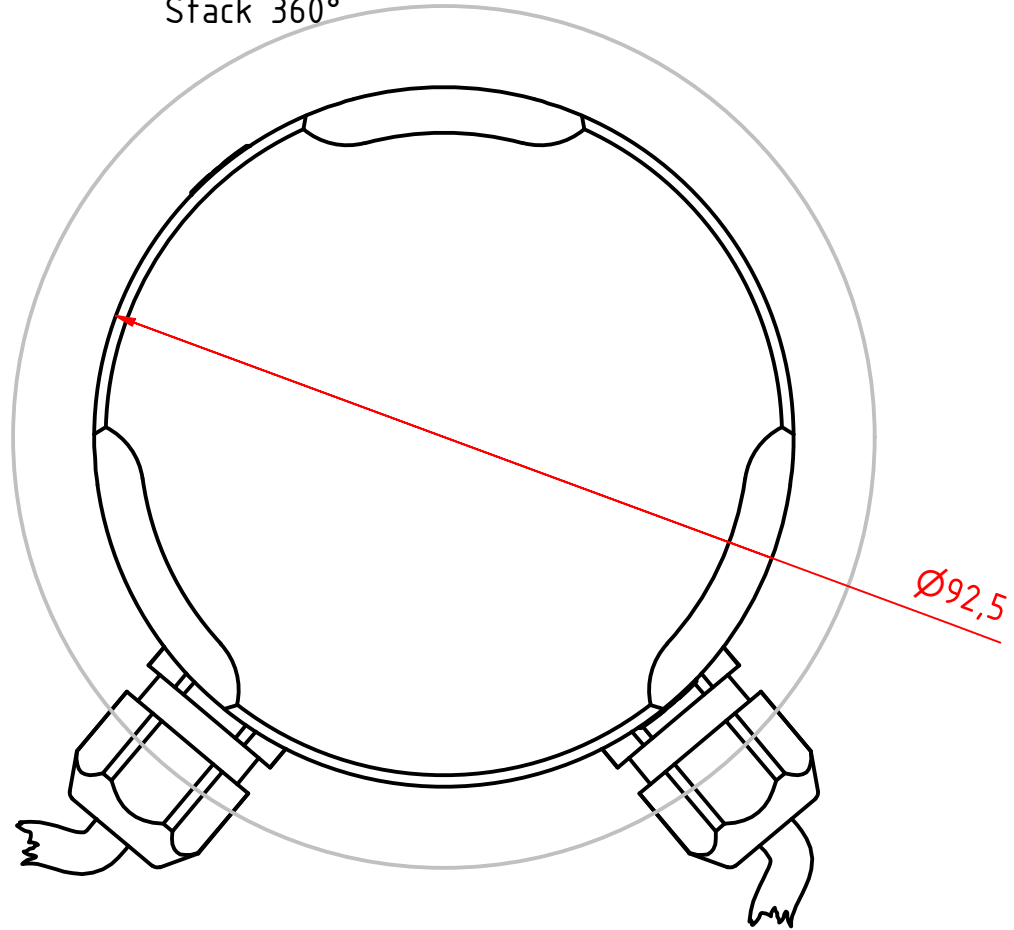
LOPOLIGHT
Lopolight ApS
Bakkegaardsvej 513
DK-3050, Humlebaek
Denmark

www.lopolight.com
Tel:(+45) 32 48 50 30 Fax:(+45) 32 48 50 32
info@lopolight.com

50MM AT A3



White -
Stack 360°



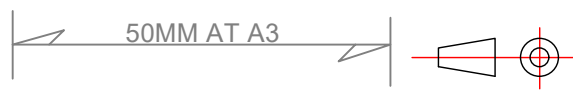
| | | | |
|-----------------------------------------------------------------------------------------------------------------------------------------------------------------------------------------------------------------------------------------------------------------------------------------------------------------------------------------------------------|-------------------------------------|--------------------|-------------------------------------|
| 300-112G2ST, 360° White on a 400-034 Promount base, Cable Side | | | |
| DRAWING NO.: 300-112G2ST | REV. NO.: 0 | SIZE: A3 | DRAWN BY: Thomas |
| SCALE: 1 : 1 | TOLERANCES: DS/ISO 2768-f | REVIEWED BY: | CREATION DATE: 25-05-2021 |
| MATERIAL DESCRIPTION: Alu. EN6082, Acrylic (20µ) Silver anodized according to EN ISO 7599 (50µ) Black anodized according to MIL-A 8625F | | | |
| This Drawing, and the information within, is the property of Lopolight ApS and may not be used in any form without express permission there from. Lopolight reserves the right to change this drawing and assumes no liability for the information communicated herein. Use of dimensions and other information in this drawing is at the users own risk. | | | |

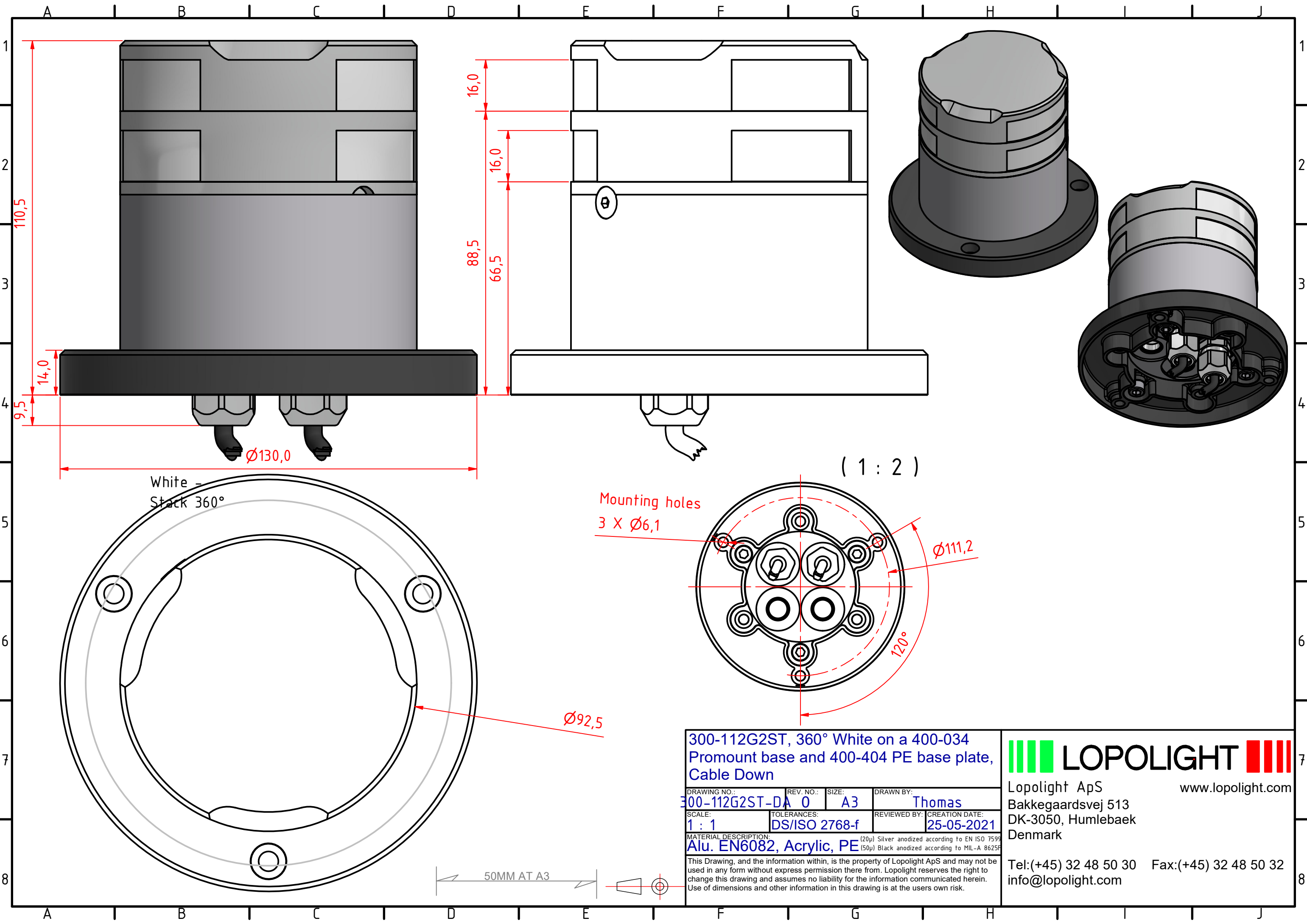
LOPOLIGHT

Lopolight ApS
Bakkegaardsvej 513
DK-3050, Humlebaek
Denmark

www.lopolight.com

Tel:(+45) 32 48 50 30 Fax:(+45) 32 48 50 32
info@lopolight.com





300-112G2ST, 360° White on a 400-034 Promount base and 400-404 PE base plate, Cable Down

| | | | |
|----------------------------------|------------------------------|--------------|------------------------------|
| DRAWING NO.: 300-112G2ST-DA 0 | REV. NO.: | SIZE: A3 | DRAWN BY: Thomas |
| SCALE: 1 : 1 | TOLERANCES: DS/ISO 2768-f | REVIEWED BY: | CREATION DATE: 25-05-2021 |

MATERIAL DESCRIPTION:
(20µ) Silver anodized according to EN ISO 7599
(50µ) Black anodized according to MIL-A 8625F

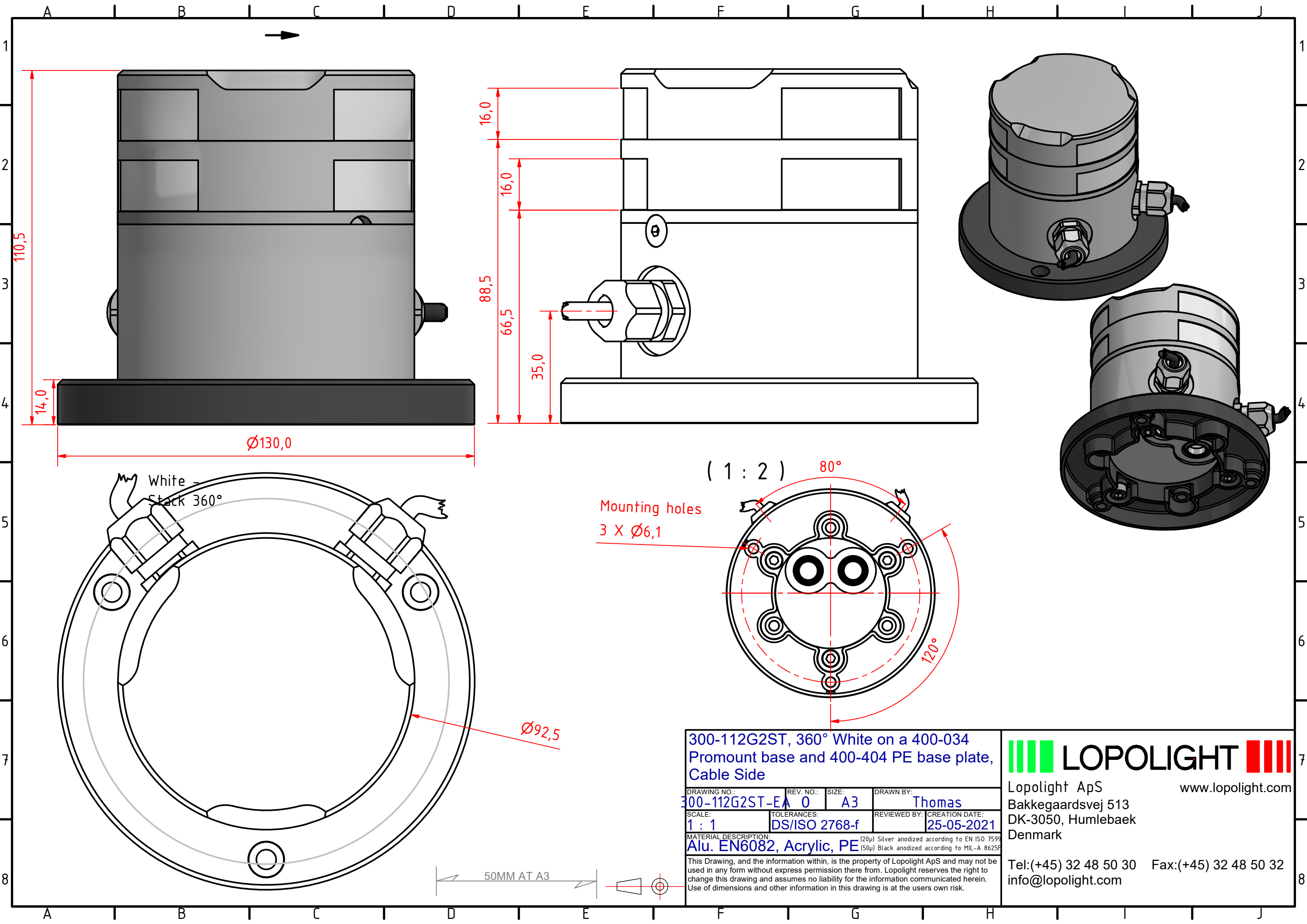
This Drawing, and the information within, is the property of Lopolight ApS and may not be used in any form without express permission there from. Lopolight reserves the right to change this drawing and assumes no liability for the information communicated herein. Use of dimensions and other information in this drawing is at the users own risk.

LOPOLIGHT

Lopolight ApS
 Bakkegaardsvej 513
 DK-3050, Humlebaek
 Denmark

www.lopolight.com

Tel:(+45) 32 48 50 30 Fax:(+45) 32 48 50 32
 info@lopolight.com



300-112G2ST, 360° White on a 400-034 Promount base and 400-404 PE base plate, Cable Side

| | | | |
|----------------------------------|------------------------------|--------------|------------------------------|
| DRAWING NO.: 300-112G2ST-EA 0 | REV. NO.: 0 | SIZE: A3 | DRAWN BY: Thomas |
| SCALE: 1 : 1 | TOLERANCES: DS/ISO 2768-f | REVIEWED BY: | CREATION DATE: 25-05-2021 |

MATERIAL DESCRIPTION:
Alu. EN6082, Acrylic, PE (20µ) Silver anodized according to EN ISO 7599 (50µ) Black anodized according to MIL-A 8625F

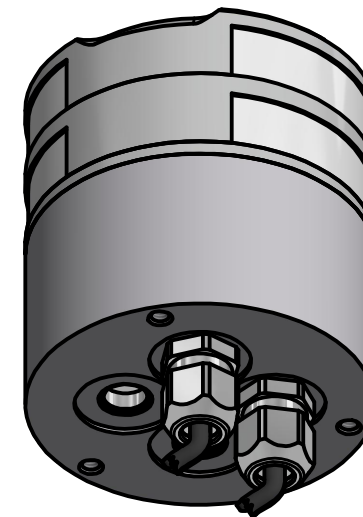
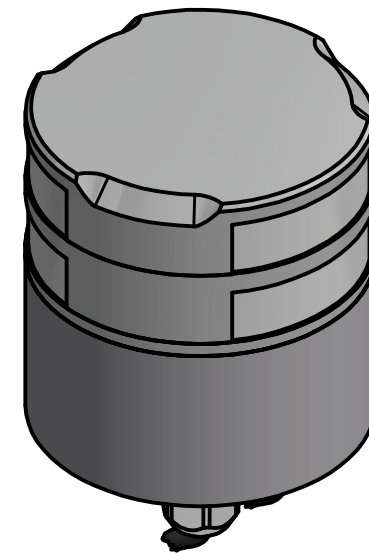
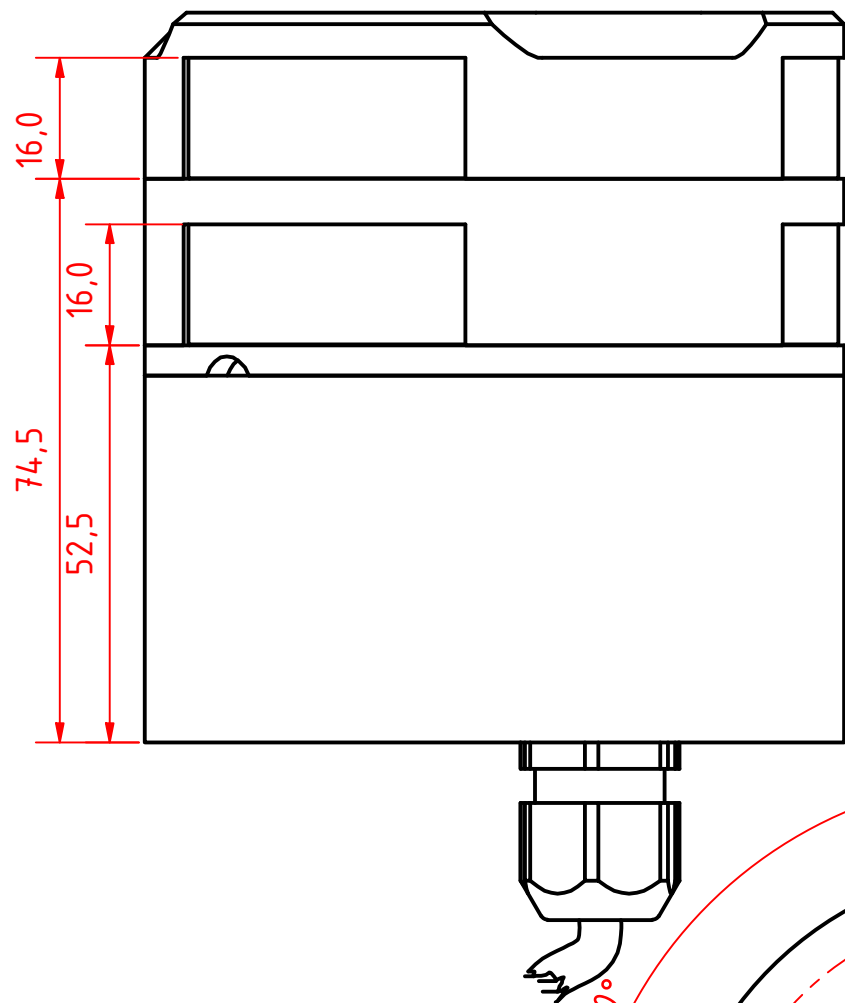
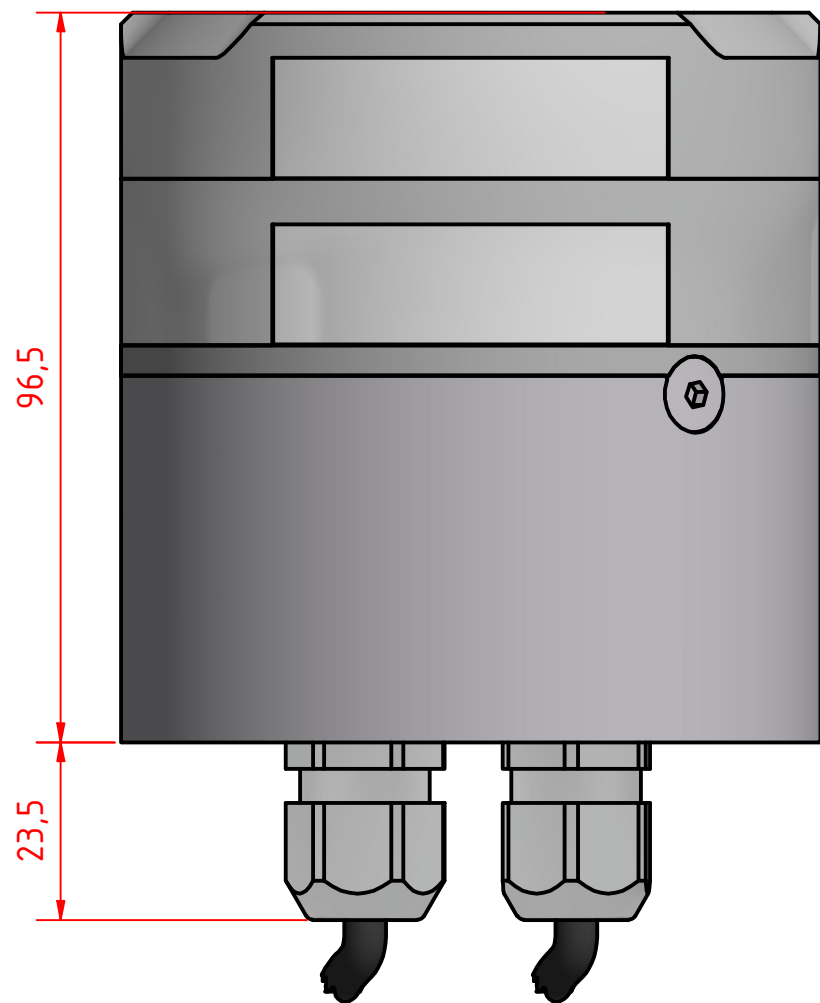
This Drawing, and the information within, is the property of Lopolight ApS and may not be used in any form without express permission there from. Lopolight reserves the right to change this drawing and assumes no liability for the information communicated herein. Use of dimensions and other information in this drawing is at the users own risk.



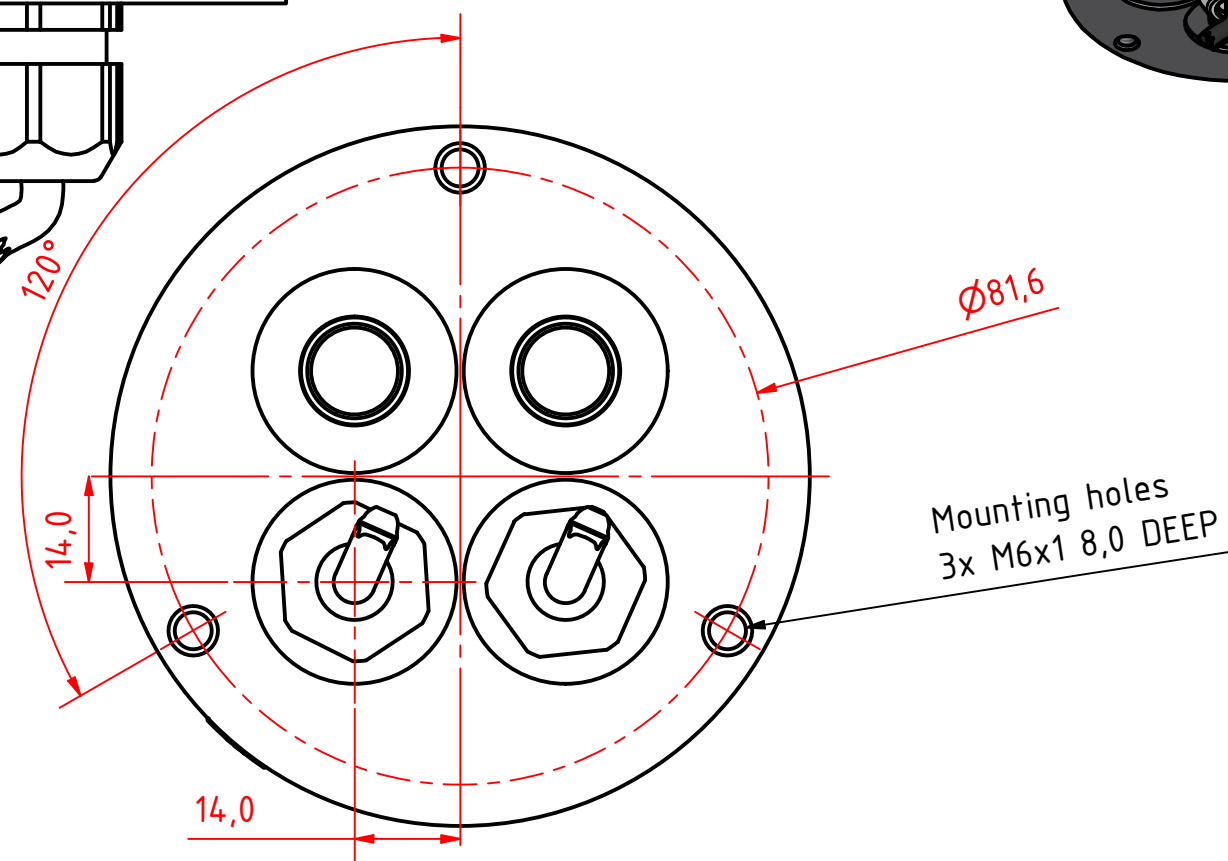
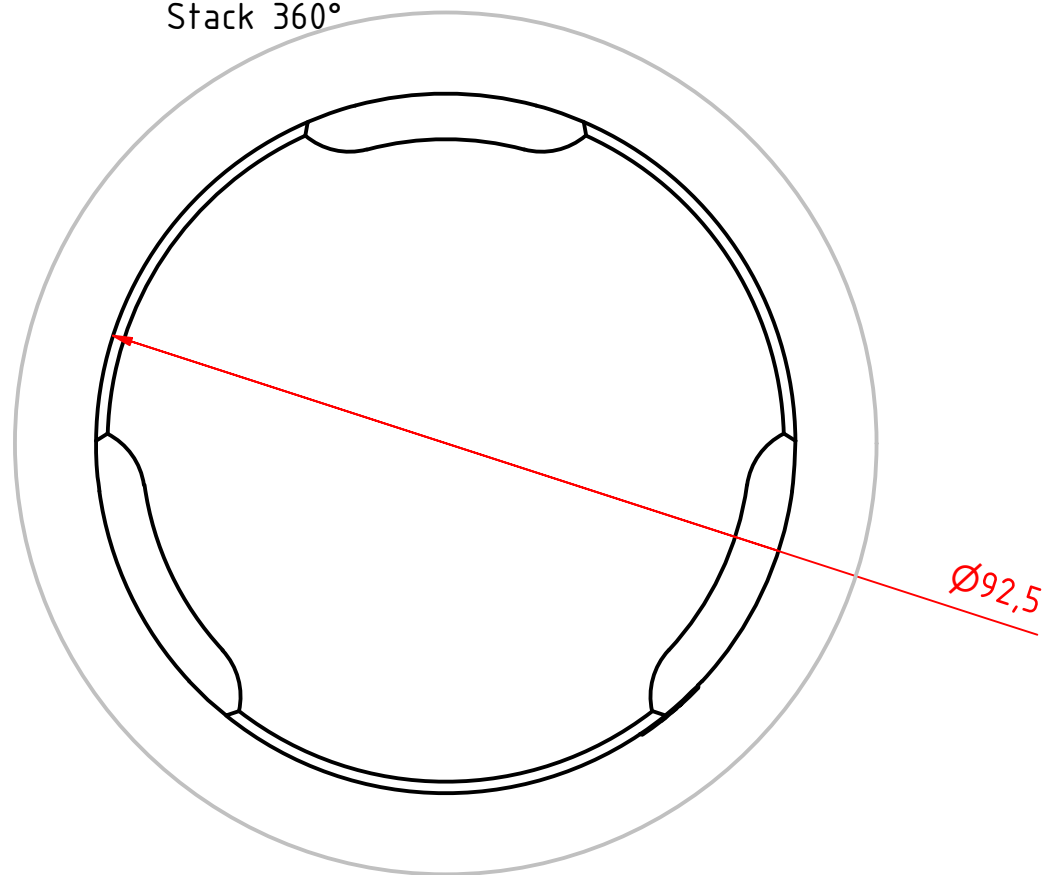
Lopolight ApS
Bakkegaardsvej 513
DK-3050, Humlebaek
Denmark

Tel:(+45) 32 48 50 30 Fax:(+45) 32 48 50 32
info@lopolight.com

www.lopolight.com



White -
Stack 360°



300-112G2ST, 360° White on a 400-035
Promount base, Cable Down

DRAWING NO.: 300-112G2ST-FA 0 REV. NO.: 0 SIZE: A3 DRAWN BY: Thomas

SCALE: 1 : 1 TOLERANCES: DS/ISO 2768-f REVIEWED BY: CREATION DATE: 25-05-2021

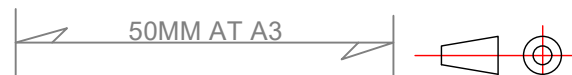
MATERIAL DESCRIPTION: Alu. EN6082, Acrylic (20µ) Silver anodized according to EN ISO 7599 (50µ) Black anodized according to MIL-A 8625F

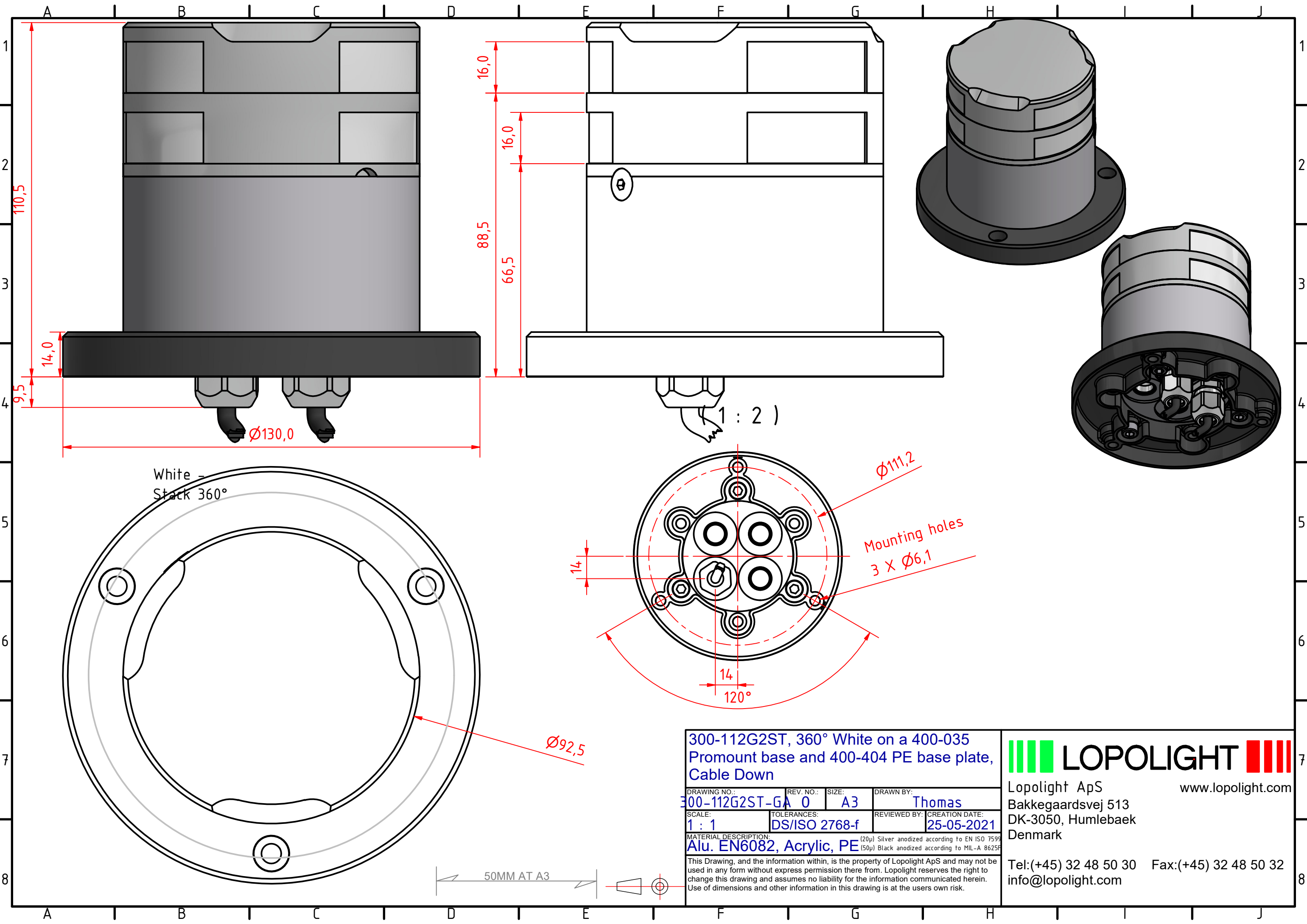
This Drawing, and the information within, is the property of Lopolight ApS and may not be used in any form without express permission there from. Lopolight reserves the right to change this drawing and assumes no liability for the information communicated herein. Use of dimensions and other information in this drawing is at the users own risk.



Lopolight ApS
Bakkegaardsvej 513
DK-3050, Humlebaek
Denmark

Tel: (+45) 32 48 50 30 Fax: (+45) 32 48 50 32
info@lopolight.com





White -
Stack 360°

Ø130,0

Ø92,5

Ø111,2

Mounting holes
3 X Ø6,1

120°

300-112G2ST, 360° White on a 400-035 Promount base and 400-404 PE base plate, Cable Down

| | | | |
|----------------------------------|-----------------|-------------|---------------------|
| DRAWING NO.: 300-112G2ST-GA 0 | REV. NO.: A3 | SIZE: A3 | DRAWN BY: Thomas |
|----------------------------------|-----------------|-------------|---------------------|

| | | | |
|-----------------|------------------------------|--------------|------------------------------|
| SCALE: 1 : 1 | TOLERANCES: DS/ISO 2768-f | REVIEWED BY: | CREATION DATE: 25-05-2021 |
|-----------------|------------------------------|--------------|------------------------------|

MATERIAL DESCRIPTION:
Alu. EN6082, Acrylic, PE (20µ) Silver anodized according to EN ISO 7599 (50µ) Black anodized according to MIL-A 8625F

This Drawing, and the information within, is the property of Lopolight ApS and may not be used in any form without express permission there from. Lopolight reserves the right to change this drawing and assumes no liability for the information communicated herein. Use of dimensions and other information in this drawing is at the users own risk.

LOPOLIGHT

Lopolight ApS
Bakkegaardsvej 513
DK-3050, Humlebaek
Denmark

Tel:(+45) 32 48 50 30 Fax:(+45) 32 48 50 32
info@lopolight.com

50MM AT A3