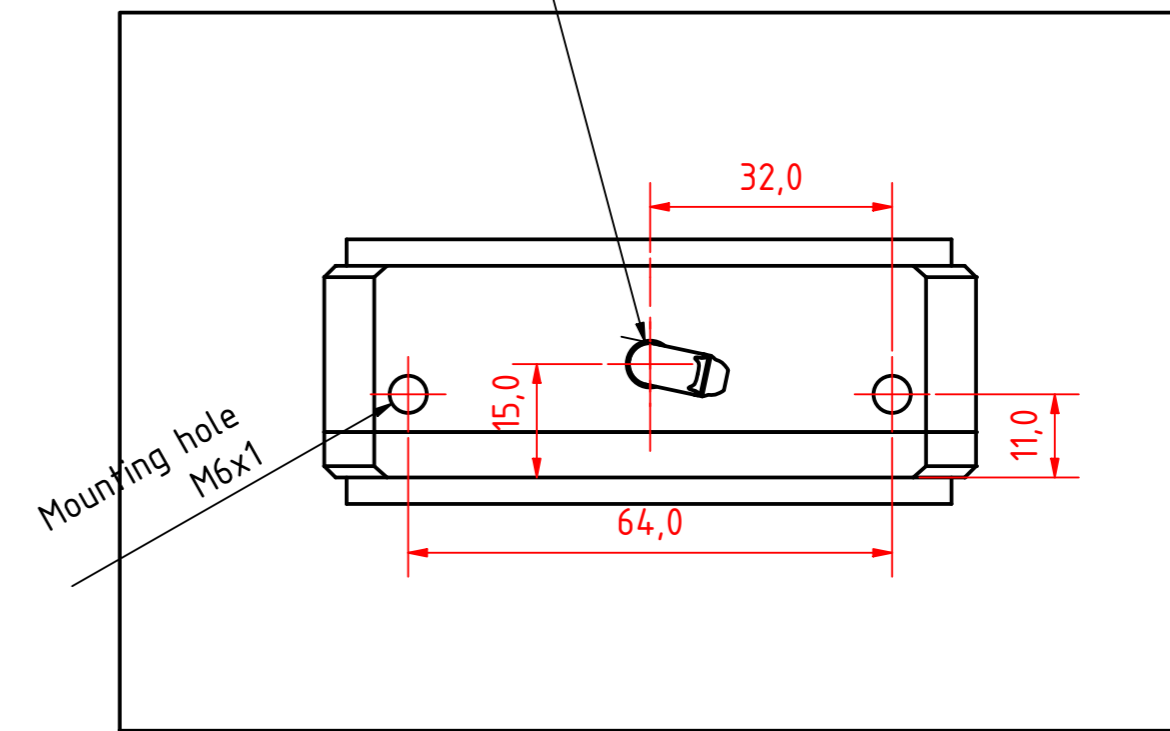


Pre-wired Cable Exit \varnothing 5,5mm shielded marine cable



50MM AT A3

301-006 2nm stern light Vertical Mount

DRAWING NO.: 301-006AA	REV. NO.: 0	SIZE: A2	DRAWN BY: Sergio
SCALE: 1:1	TOLERANCES: DS/ISO 2768-f	REVIEWED BY: PHC	CREATION DATE: 30-04-2018
MATERIAL DESCRIPTION: EN 6082, Acrylic			

(20µ) Silver anodized according to EN ISO 7599
(150µ) Black anodized according to MIL-A 8625F
This Drawing, and the information within, is the property of Lopolight ApS and may not be used in any form without express permission there from. Lopolight reserves the right to change this drawing and assumes no liability for the information communicated herein. Use of dimensions and other information in this drawing is at the users own risk.

LOPOLIGHT
Lopolight ApS www.lopolight.com
Bakkegaardsvej 513
DK-3050, Humlebaek
Denmark
Tel: (+45) 32 48 50 30 Fax: (+45) 32 48 50 32
info@lopolight.com