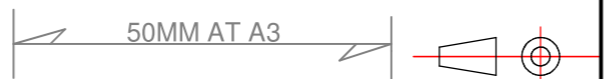


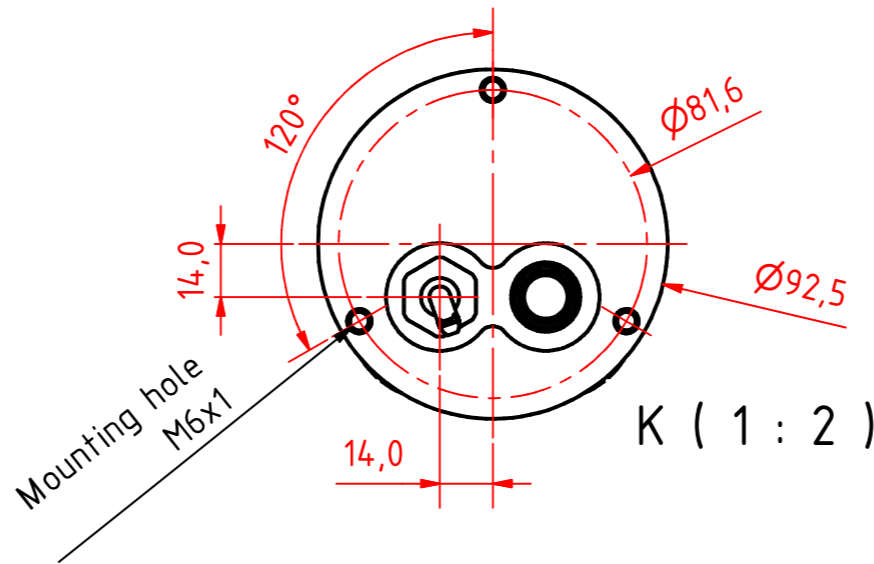
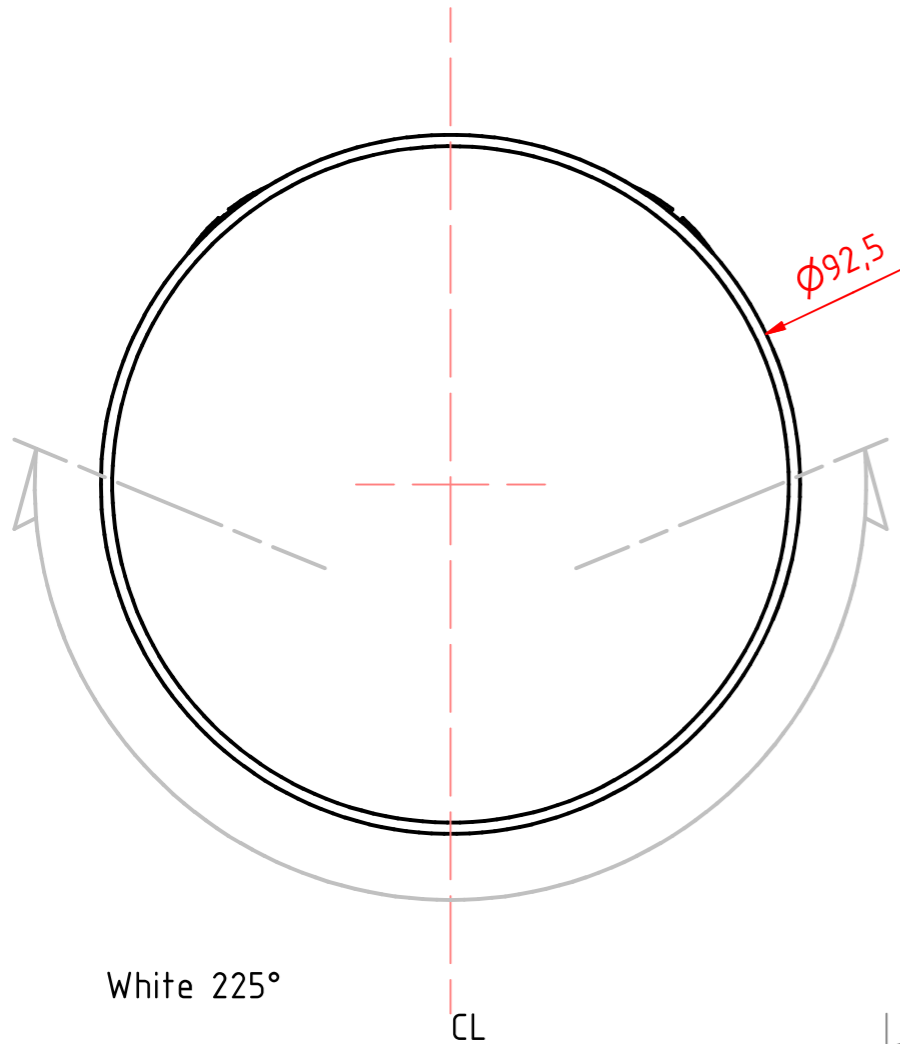
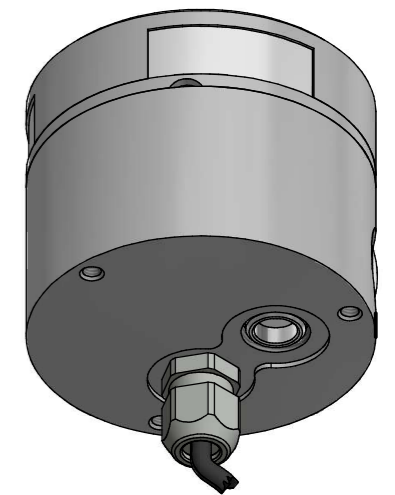
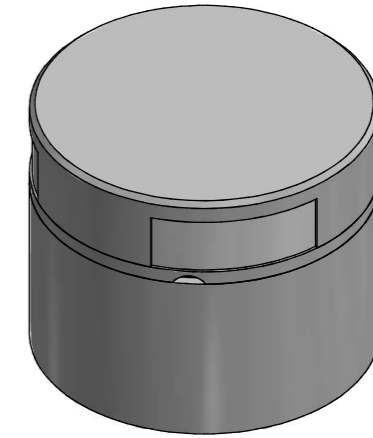
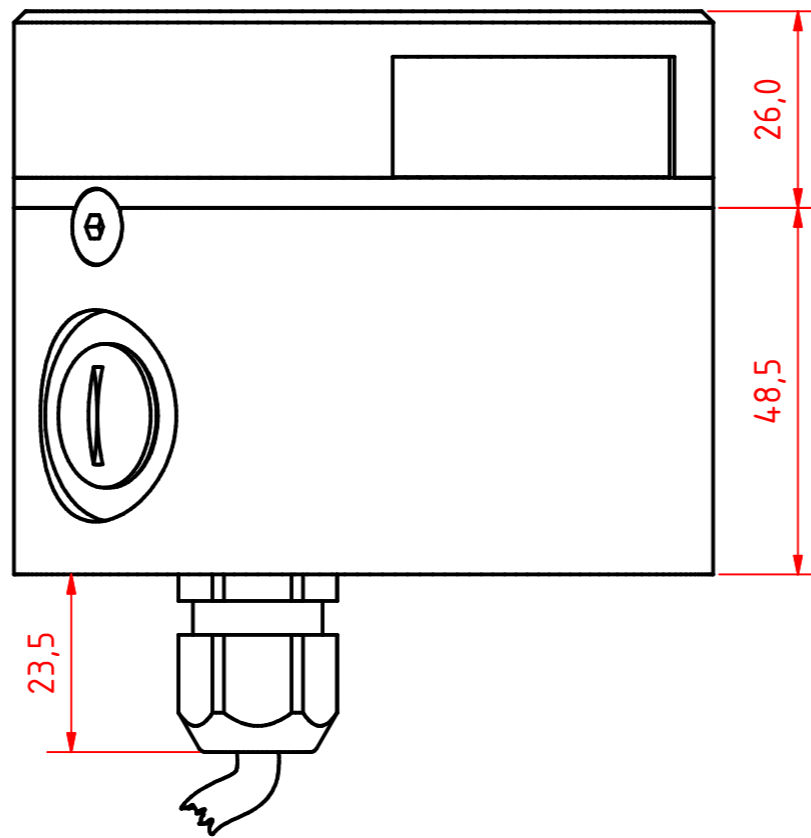
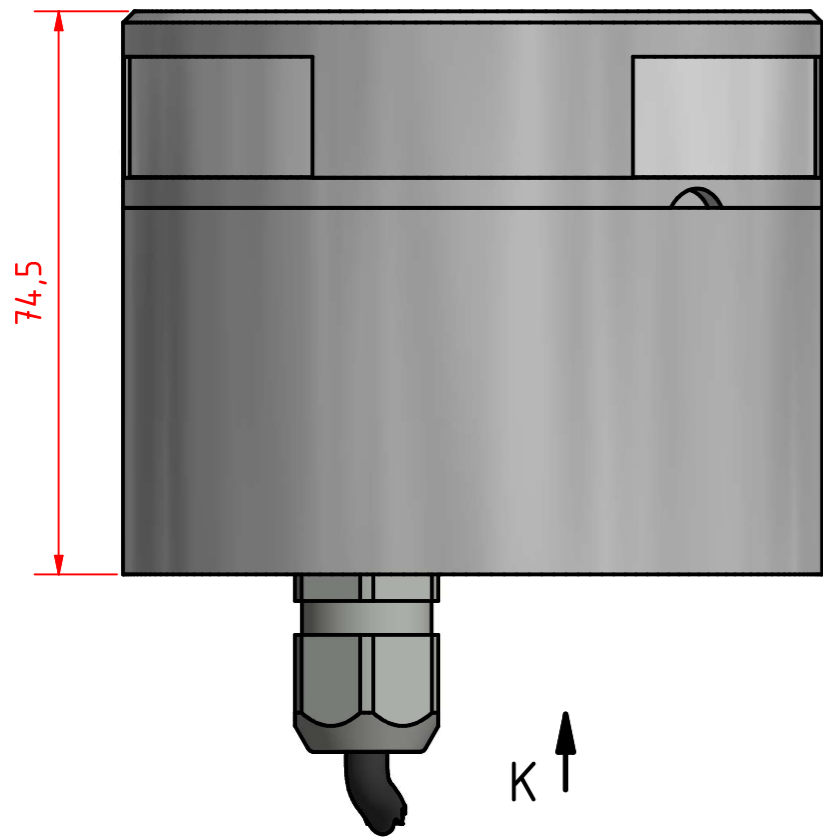
Rev2 13/05/2019 Replace back the PE base plate instead the Alu one, delete the sheet HA and add the sheet JA PRO Series.
 Rev1 29/03/2019 Replace the 400-404 PE base for the 400-401 Alu base

301-011KL 5nm masthead HM, on a 400-034 Promount, Cable Side			
DRAWING NO.: 301-011AA	REV. NO.: 2	SIZE: A3	DRAWN BY: Sergio
SCALE: 1:1	TOLERANCES: DS/ISO 2768-f	REVIEWED BY:	CREATION DATE: 24-04-2018
MATERIAL DESCRIPTION: EN6082, Acrylic			
<small>(20µ) Silver anodized according to EN ISO 7599 (50µ) Black anodized according to MIL-A 8625F</small>			
<small>This Drawing, and the information within, is the property of Lopolight ApS and may not be used in any form without express permission there from. Lopolight reserves the right to change this drawing and assumes no liability for the information communicated herein. Use of dimensions and other information in this drawing is at the users own risk.</small>			

LOPOLIGHT
 Lopolight ApS www.lopolight.com
 Bakkegaardsvej 513
 DK-3050, Humlebaek
 Denmark
 Tel:(+45) 32 48 50 30 Fax:(+45) 32 48 50 32
 info@lopolight.com



White 225°
CL



Rev2 13/05/2019 Replace back the PE base plate instead the Alu one, delete the sheet HA and add the sheet JA PRO Series.

Rev1 29/03/2019 Replace the 400-404 PE base for the 400-401 Alu base

301-011KL 5nm masthead HM, on a 400-034 Promount, Cable Down

DRAWING NO.: 301-011BA	REV. NO.: 2	SIZE: A3	DRAWN BY: Sergio
SCALE: 1:1	TOLERANCES: DS/ISO 2768-f	REVIEWED BY:	CREATION DATE: 24-04-2018

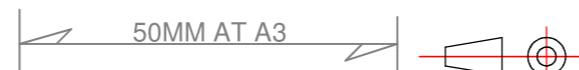
MATERIAL DESCRIPTION:
EN6082, Acrylic (20µ) Silver anodized according to EN ISO 7599 (50µ) Black anodized according to MIL-A 8625F

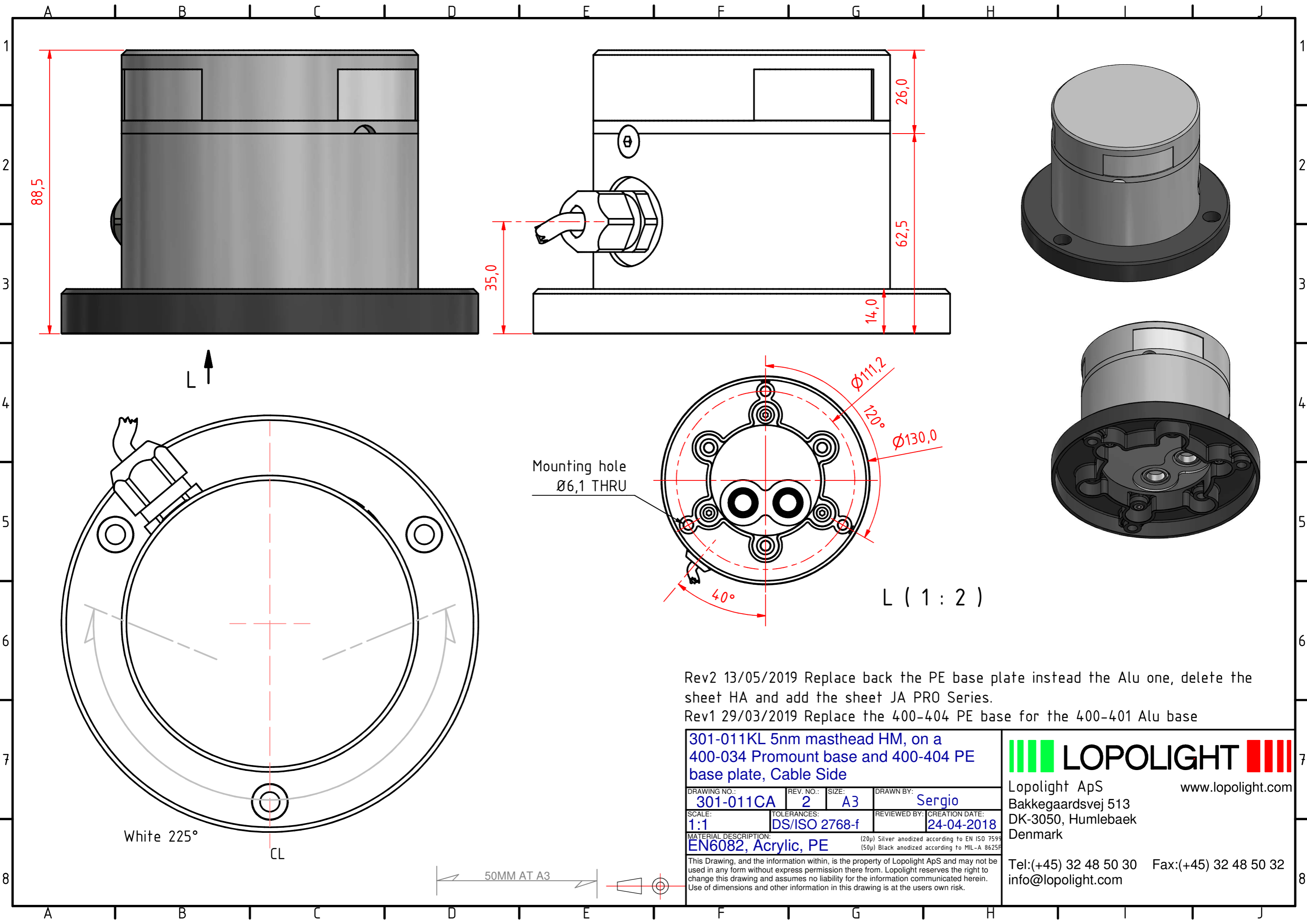
This Drawing, and the information within, is the property of Lopolight ApS and may not be used in any form without express permission there from. Lopolight reserves the right to change this drawing and assumes no liability for the information communicated herein. Use of dimensions and other information in this drawing is at the users own risk.



Lopolight ApS www.lopolight.com
 Bakkegaardsvej 513
 DK-3050, Humlebaek
 Denmark

Tel:(+45) 32 48 50 30 Fax:(+45) 32 48 50 32
 info@lopolight.com





Rev2 13/05/2019 Replace back the PE base plate instead the Alu one, delete the sheet HA and add the sheet JA PRO Series.
 Rev1 29/03/2019 Replace the 400-404 PE base for the 400-401 Alu base

301-011KL 5nm masthead HM, on a 400-034 Promount base and 400-404 PE base plate, Cable Side			
DRAWING NO.:	REV. NO.:	SIZE:	DRAWN BY:
301-011CA	2	A3	Sergio
SCALE:	TOLERANCES:	REVIEWED BY:	CREATION DATE:
1:1	DS/ISO 2768-f		24-04-2018
MATERIAL DESCRIPTION:			
EN6082, Acrylic, PE (20µ) Silver anodized according to EN ISO 7599 (50µ) Black anodized according to MIL-A 8625F			

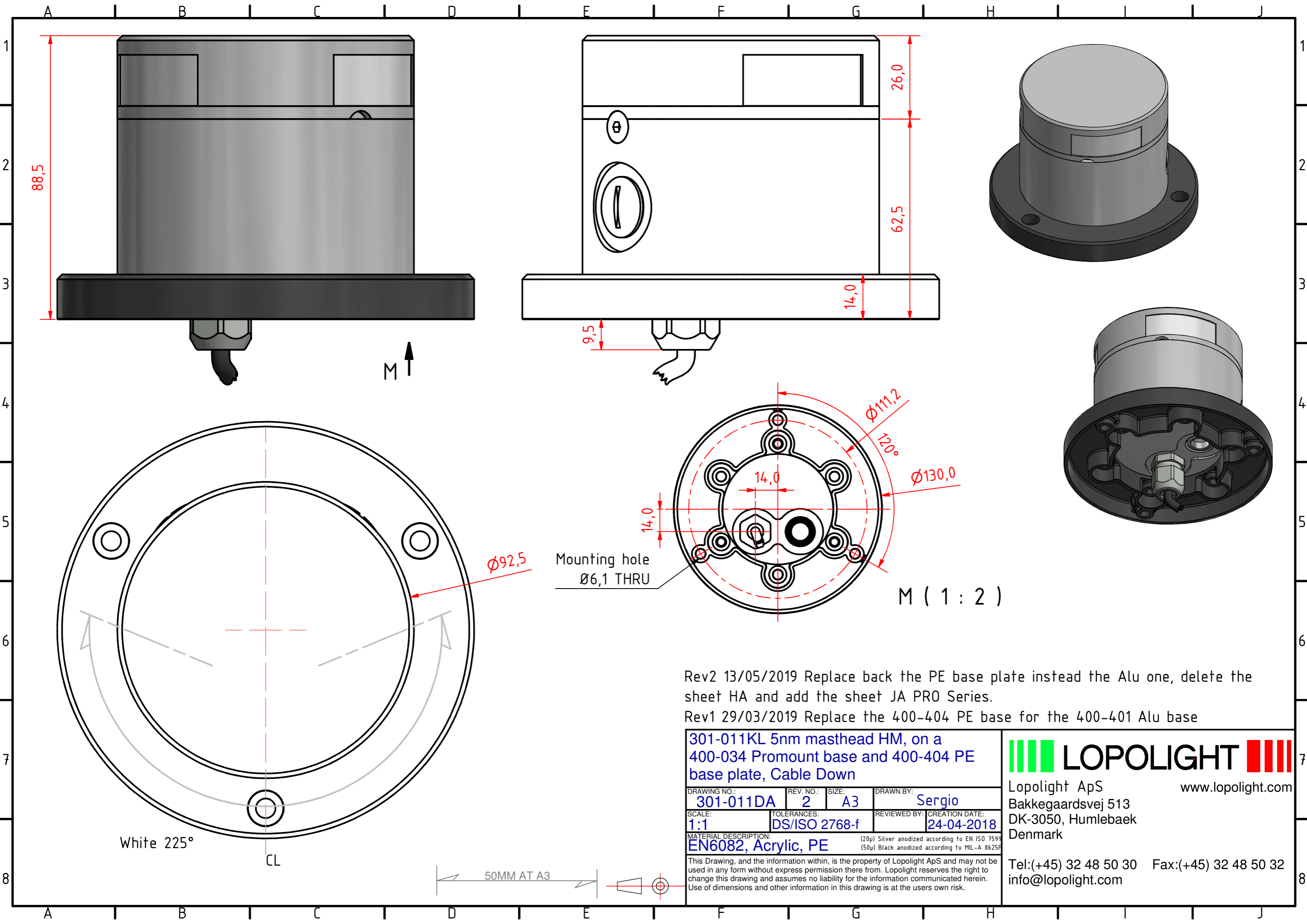
LOPOLIGHT

Lopolight ApS
 Bakkegaardsvej 513
 DK-3050, Humlebaek
 Denmark

www.lopolight.com

Tel:(+45) 32 48 50 30 Fax:(+45) 32 48 50 32
 info@lopolight.com

This Drawing, and the information within, is the property of Lopolight ApS and may not be used in any form without express permission there from. Lopolight reserves the right to change this drawing and assumes no liability for the information communicated herein. Use of dimensions and other information in this drawing is at the users own risk.



Rev2 13/05/2019 Replace back the PE base plate instead the Alu one, delete the sheet HA and add the sheet JA PRO Series.

Rev1 29/03/2019 Replace the 400-404 PE base for the 400-401 Alu base

301-011KL 5nm masthead HM, on a 400-034 Promount base and 400-404 PE base plate, Cable Down

DRAWING NO.:	REV. NO.:	SIZE:	DRAWN BY:
301-011DA	2	A3	Sergio

SCALE:	TOLERANCES:	REVIEWED BY:	CREATION DATE:
1:1	DS/ISO 2768-f		24-04-2018

MATERIAL DESCRIPTION:
 EN6082, Acrylic, PE (20µ) Silver anodized according to EN ISO 7599 (50µ) Black anodized according to MIL-A 8625F

This Drawing, and the information within, is the property of Lopolight ApS and may not be used in any form without express permission there from. Lopolight reserves the right to change this drawing and assumes no liability for the information communicated herein. Use of dimensions and other information in this drawing is at the users own risk.

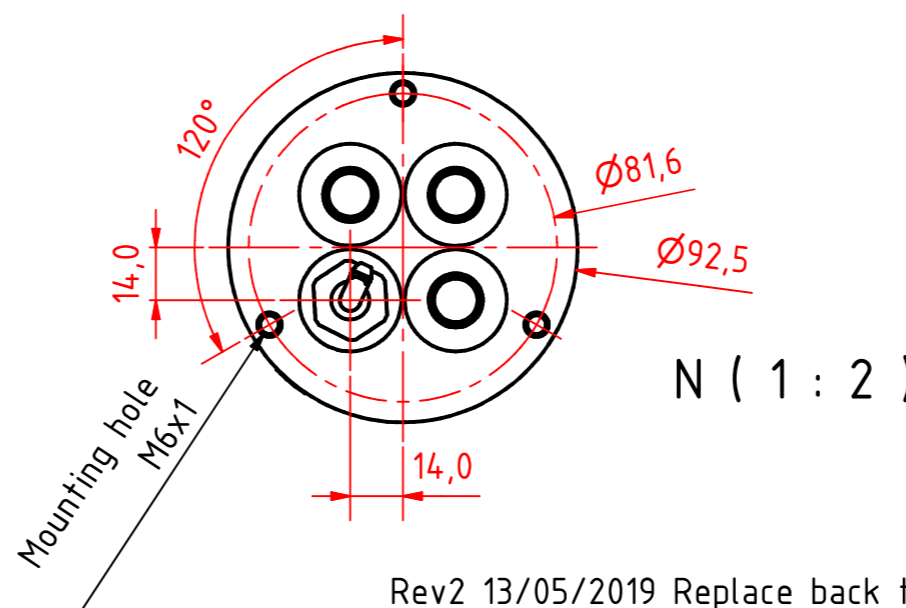
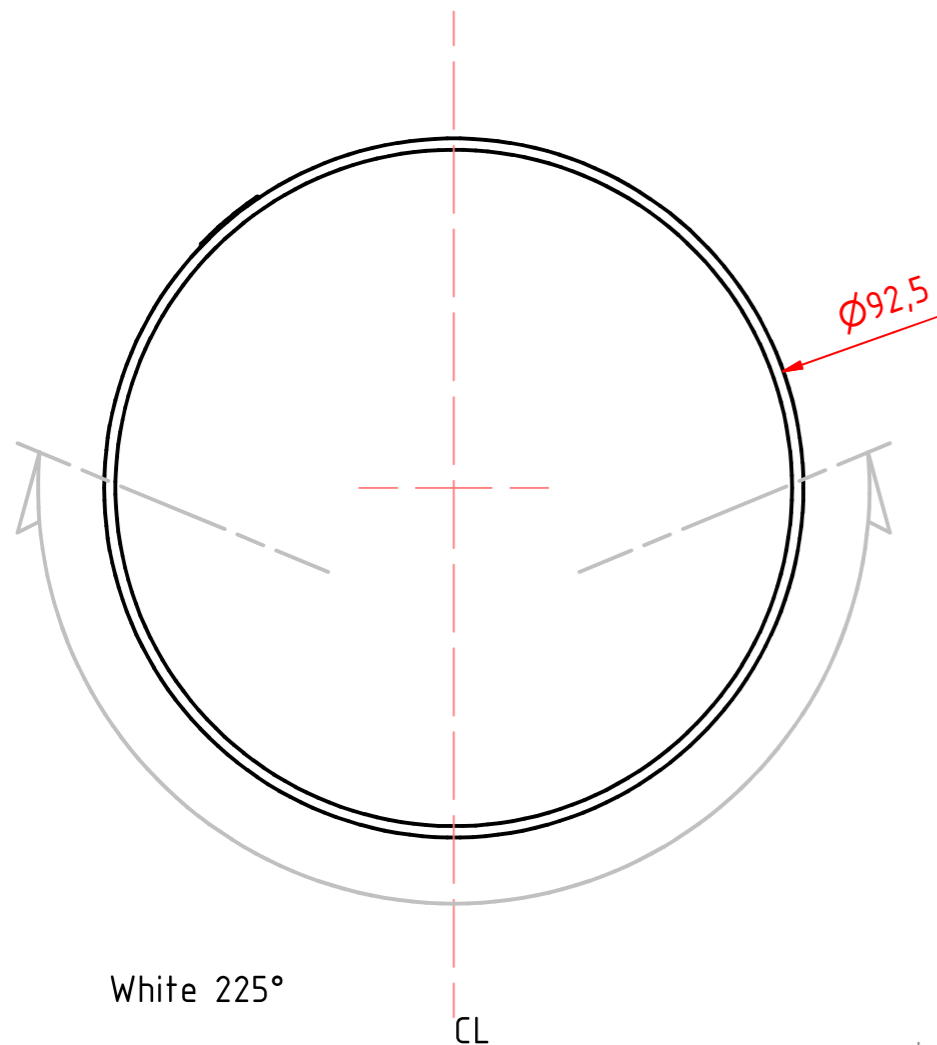
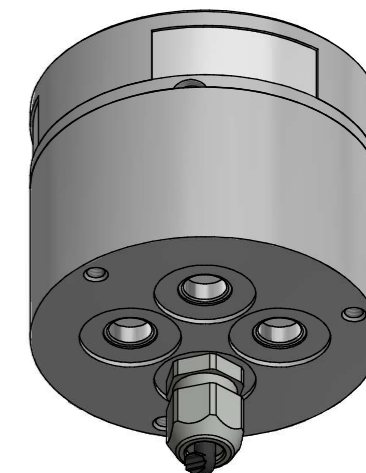
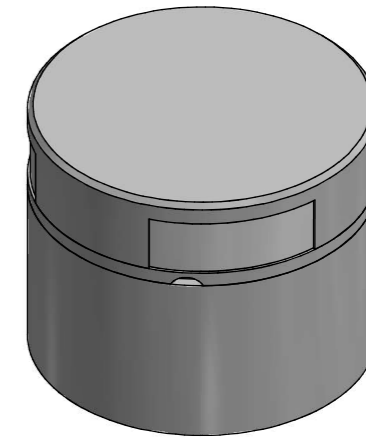
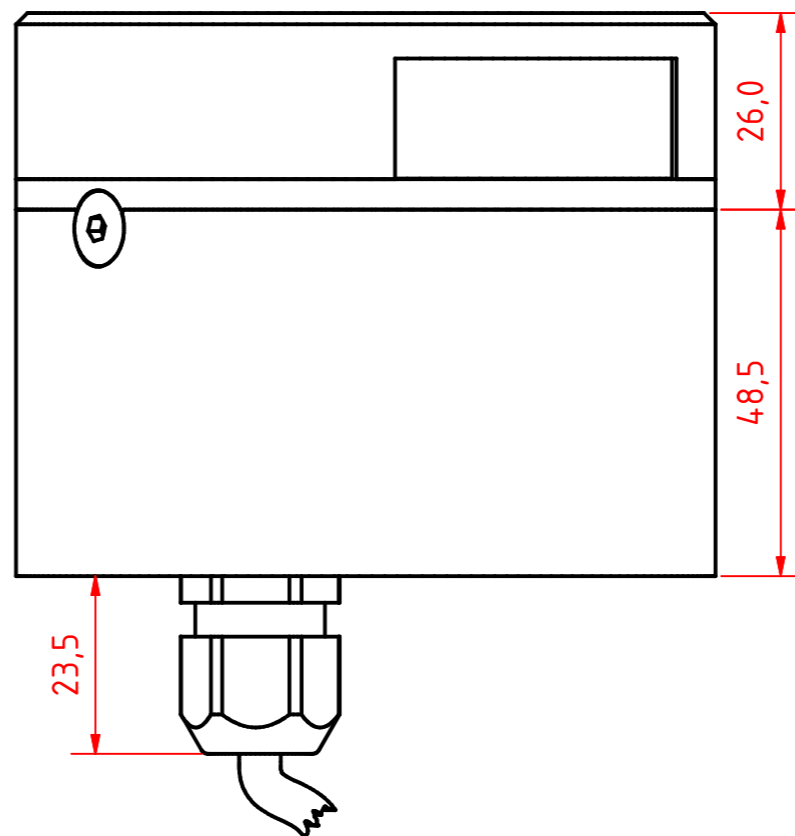
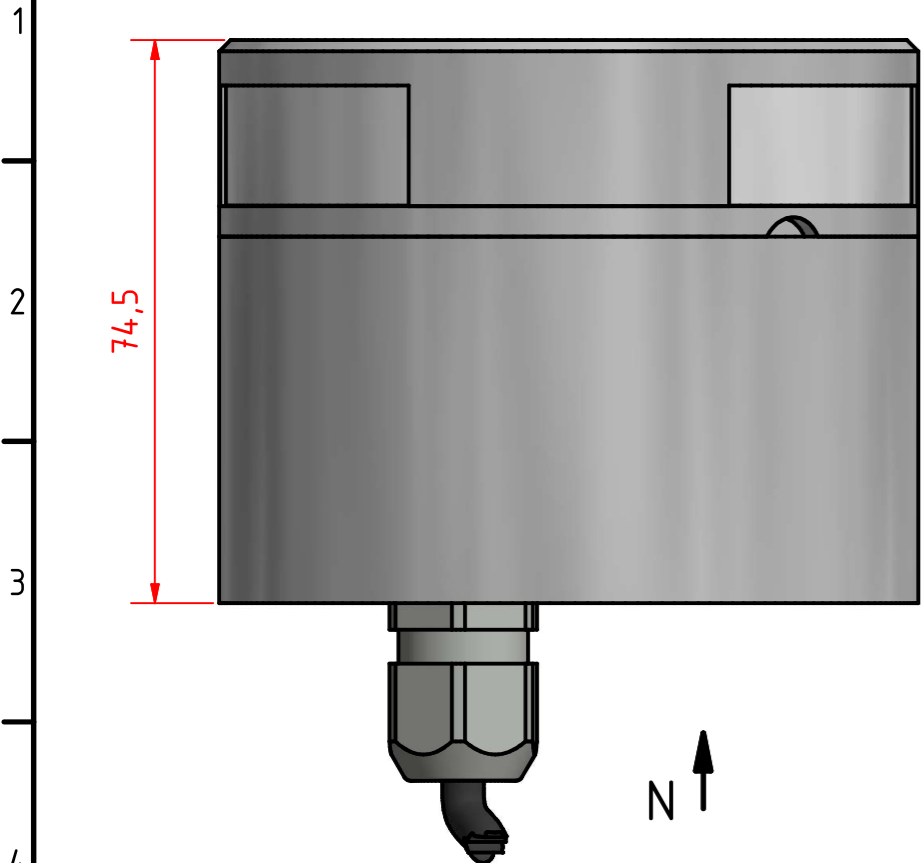


Lopolight ApS
 Bakkegaardsvej 513
 DK-3050, Humlebaek
 Denmark

Tel:(+45) 32 48 50 30 Fax:(+45) 32 48 50 32
 info@lopolight.com

www.lopolight.com

A B C D E F G H I J



N (1 : 2)

Rev2 13/05/2019 Replace back the PE base plate instead the Alu one, delete the sheet HA and add the sheet JA PRO Series.
 Rev1 29/03/2019 Replace the 400-404 PE base for the 400-401 Alu base

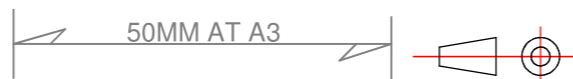
301-011KL 5nm masthead HM, on a 400-035 Promount base, Cable Down			
DRAWING NO.: 301-011EA	REV. NO.: 2	SIZE: A3	DRAWN BY: Sergio
SCALE: 1:1	TOLERANCES: DS/ISO 2768-f	REVIEWED BY:	CREATION DATE: 24-04-2018
MATERIAL DESCRIPTION: EN6082, Acrylic			



Lopolight ApS
 Bakkegaardsvej 513
 DK-3050, Humlebaek
 Denmark

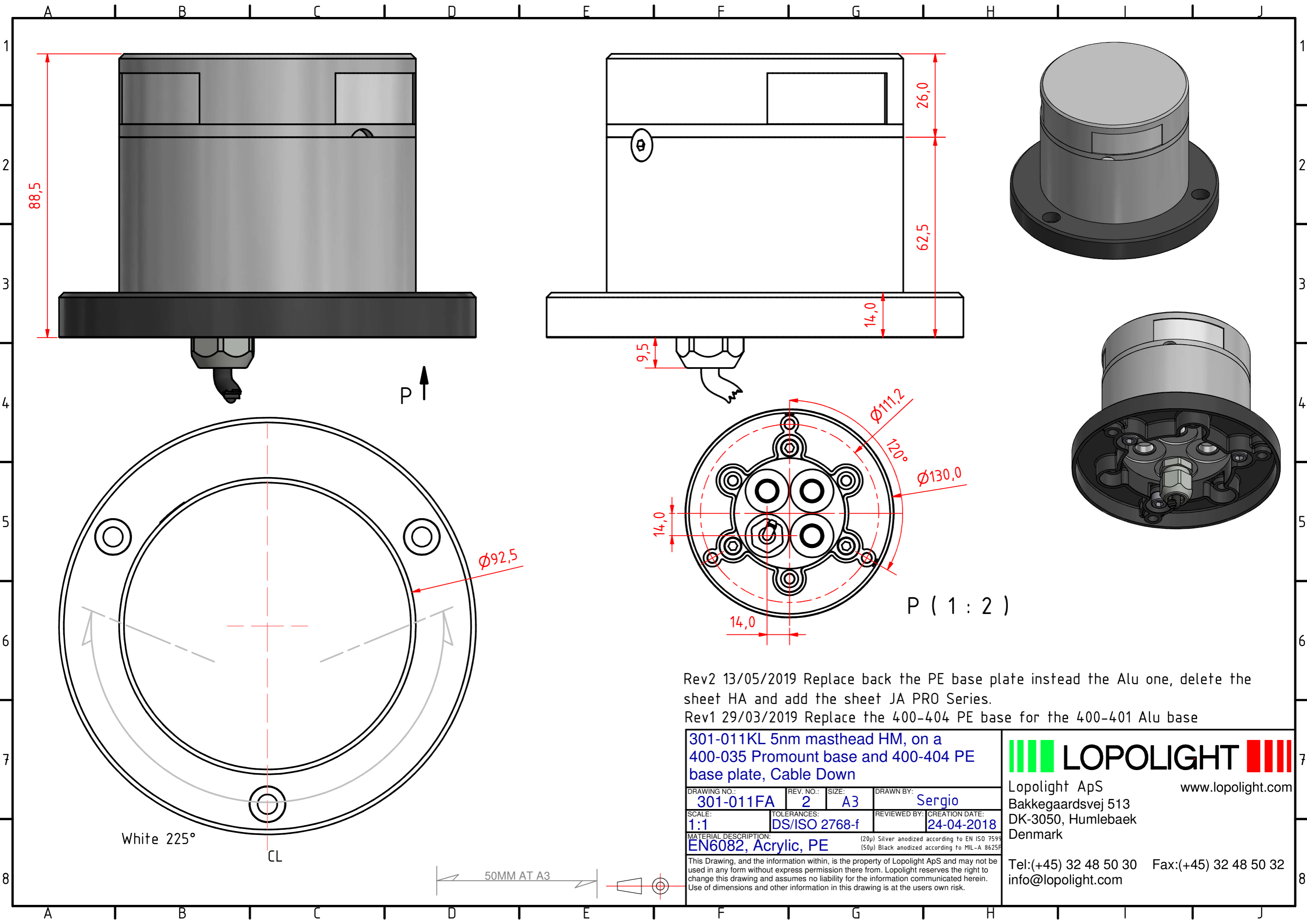
Tel:(+45) 32 48 50 30 Fax:(+45) 32 48 50 32
 info@lopolight.com

This Drawing, and the information within, is the property of Lopolight ApS and may not be used in any form without express permission there from. Lopolight reserves the right to change this drawing and assumes no liability for the information communicated herein. Use of dimensions and other information in this drawing is at the users own risk.



8

A B C D E F G H I J



Rev2 13/05/2019 Replace back the PE base plate instead the Alu one, delete the sheet HA and add the sheet JA PRO Series.
 Rev1 29/03/2019 Replace the 400-404 PE base for the 400-401 Alu base

301-011KL 5nm masthead HM, on a 400-035 Promount base and 400-404 PE base plate, Cable Down

DRAWING NO.:	REV. NO.:	SIZE:	DRAWN BY:
301-011FA	2	A3	Sergio
SCALE:	TOLERANCES:	REVIEWED BY:	CREATION DATE:
1:1	DS/ISO 2768-f		24-04-2018

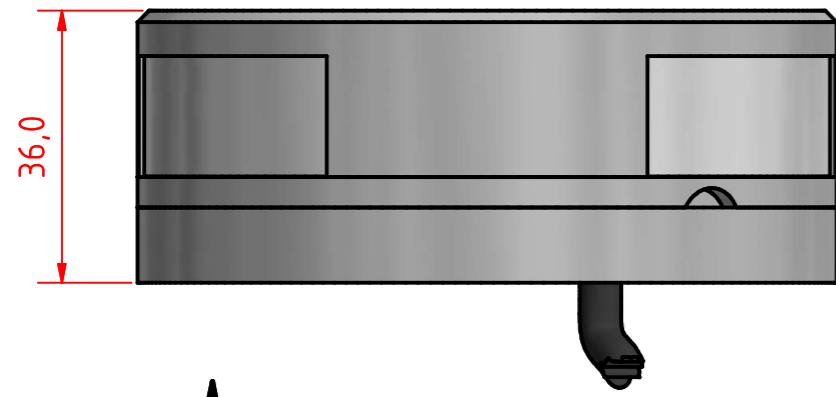
MATERIAL DESCRIPTION:
EN6082, Acrylic, PE (20µ) Silver anodized according to EN ISO 7599 (50µ) Black anodized according to MIL-A 8625F

This Drawing, and the information within, is the property of Lopolight ApS and may not be used in any form without express permission there from. Lopolight reserves the right to change this drawing and assumes no liability for the information communicated herein. Use of dimensions and other information in this drawing is at the users own risk.

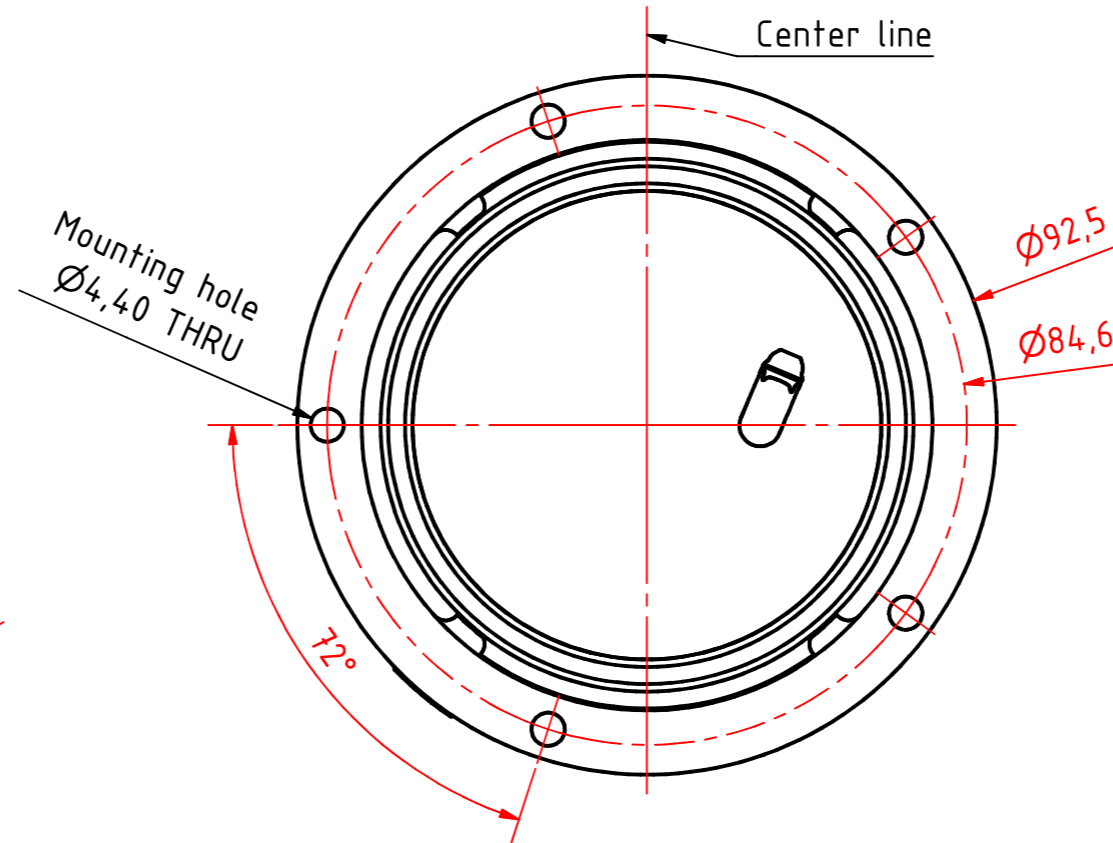
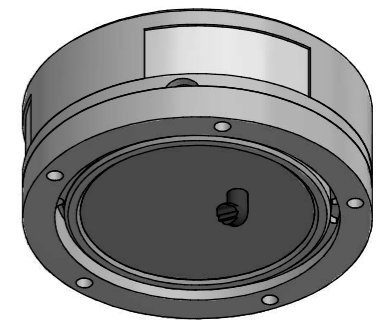
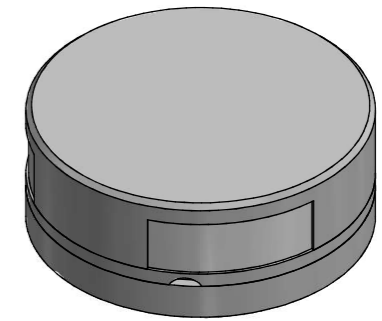
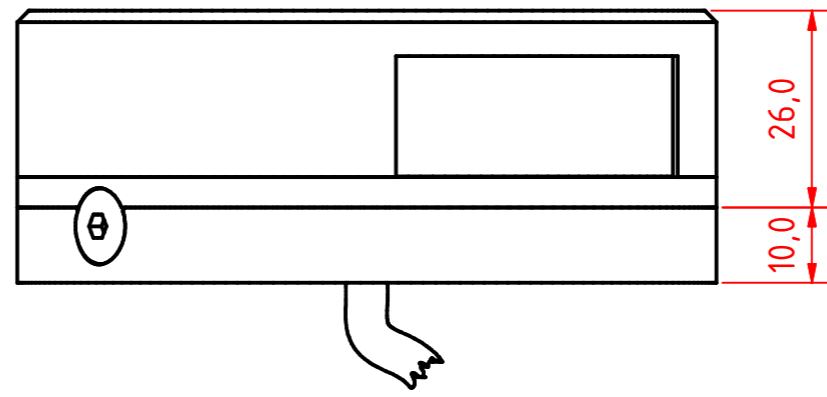


Lopolight ApS www.lopolight.com
 Bakkegaardsvej 513
 DK-3050, Humlebaek
 Denmark

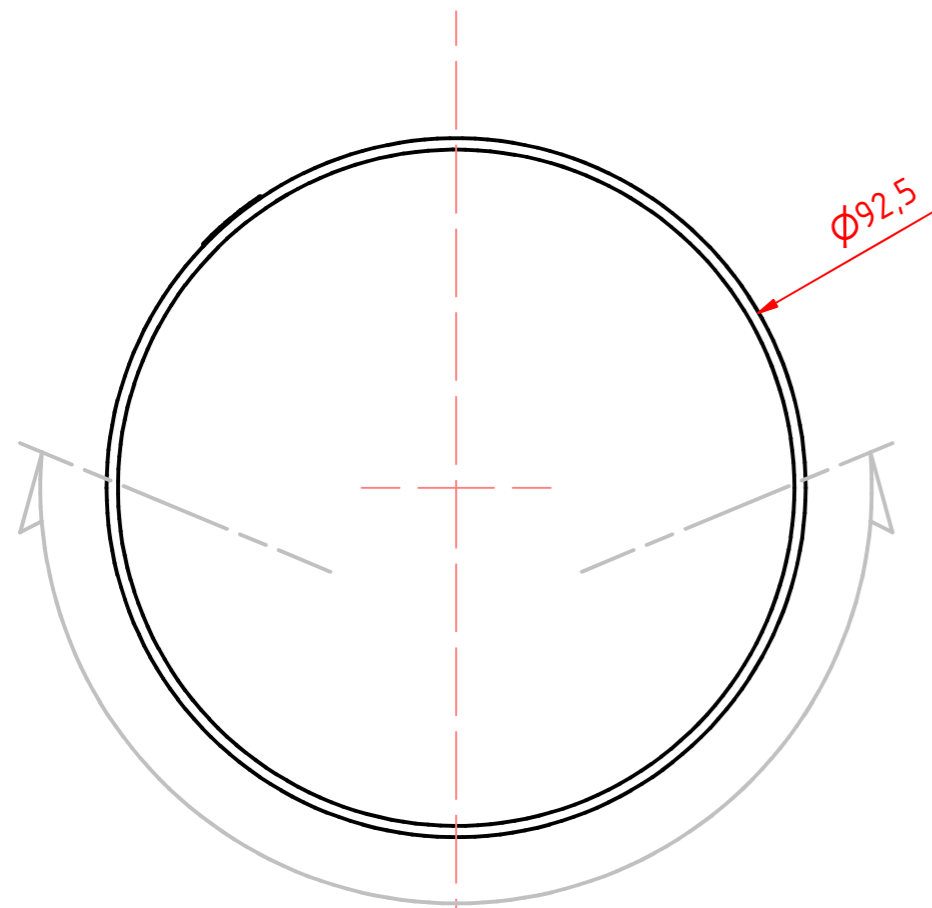
Tel:(+45) 32 48 50 30 Fax:(+45) 32 48 50 32
 info@lopolight.com



R ↑



R (1 : 1)



White 225°

CL

50MM AT A3

Rev2 13/05/2019 Replace back the PE base plate instead the Alu one, delete the sheet HA and add the sheet JA PRO Series.

Rev1 29/03/2019 Replace the 400-404 PE base for the 400-401 Alu base

301-011KL 5nm masthead HM, on a 400-036 Ultra Low profile base

DRAWING NO.: 301-011IA	REV. NO.: 2	SIZE: A3	DRAWN BY: Sergio
SCALE: 1:1	TOLERANCES: DS/ISO 2768-f	REVIEWED BY:	CREATION DATE: 24-04-2018

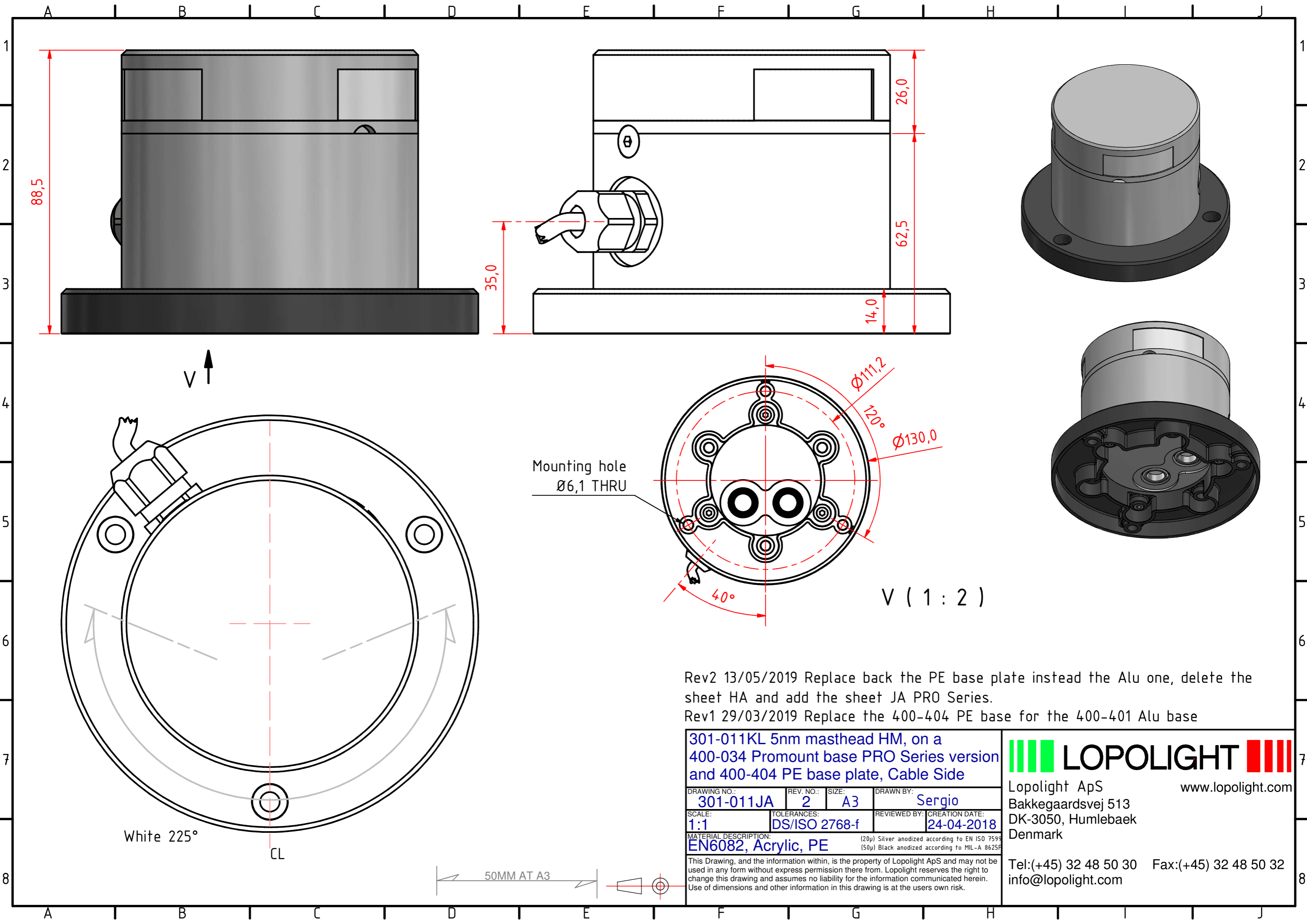
MATERIAL DESCRIPTION:
EN6082, Acrylic

(20µ) Silver anodized according to EN ISO 7599
(50µ) Black anodized according to MIL-A 8625F
This Drawing, and the information within, is the property of Lopolight ApS and may not be used in any form without express permission there from. Lopolight reserves the right to change this drawing and assumes no liability for the information communicated herein. Use of dimensions and other information in this drawing is at the users own risk.



Lopolight ApS
Bakkegaardsvej 513
DK-3050, Humlebaek
Denmark
www.lopolight.com

Tel:(+45) 32 48 50 30 Fax:(+45) 32 48 50 32
info@lopolight.com



Rev2 13/05/2019 Replace back the PE base plate instead the Alu one, delete the sheet HA and add the sheet JA PRO Series.
 Rev1 29/03/2019 Replace the 400-404 PE base for the 400-401 Alu base

301-011KL 5nm masthead HM, on a 400-034 Promount base PRO Series version and 400-404 PE base plate, Cable Side

DRAWING NO.: 301-011JA	REV. NO.: 2	SIZE: A3	DRAWN BY: Sergio
SCALE: 1:1	TOLERANCES: DS/ISO 2768-f	REVIEWED BY:	CREATION DATE: 24-04-2018

MATERIAL DESCRIPTION:
EN6082, Acrylic, PE (20µ) Silver anodized according to EN ISO 7599 (50µ) Black anodized according to MIL-A 8625F

This Drawing, and the information within, is the property of Lopolight ApS and may not be used in any form without express permission there from. Lopolight reserves the right to change this drawing and assumes no liability for the information communicated herein. Use of dimensions and other information in this drawing is at the users own risk.

LOPOLIGHT
 Lopolight ApS
 Bakkegaardsvej 513
 DK-3050, Humlebaek
 Denmark
 www.lopolight.com
 Tel:(+45) 32 48 50 30 Fax:(+45) 32 48 50 32
 info@lopolight.com