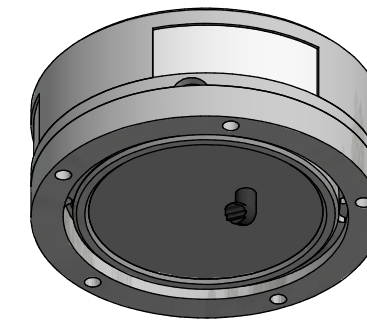
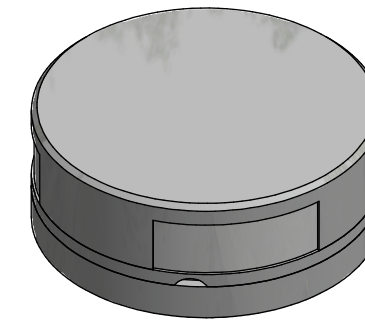
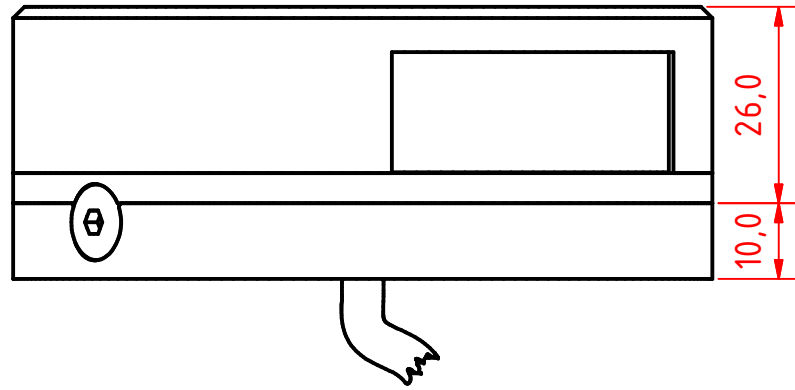
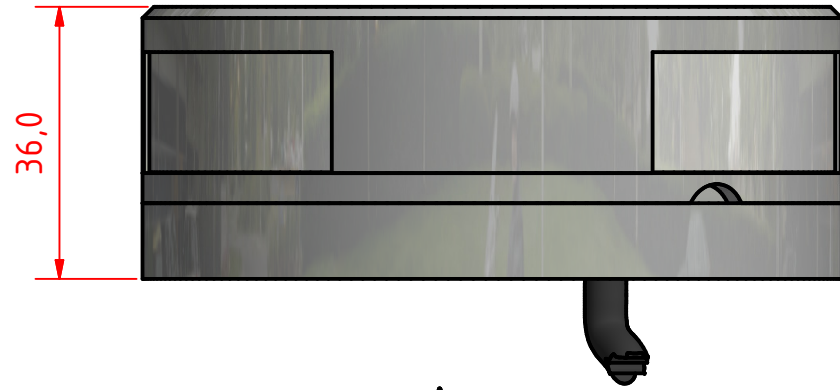


A B C D E F G H I J

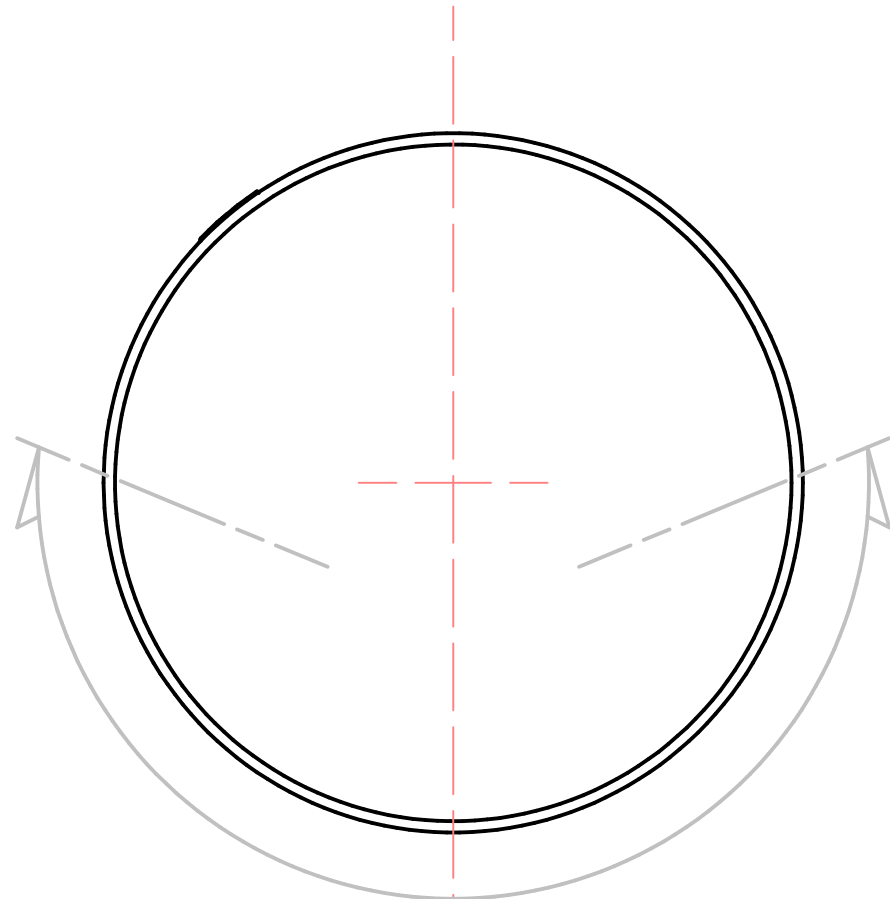
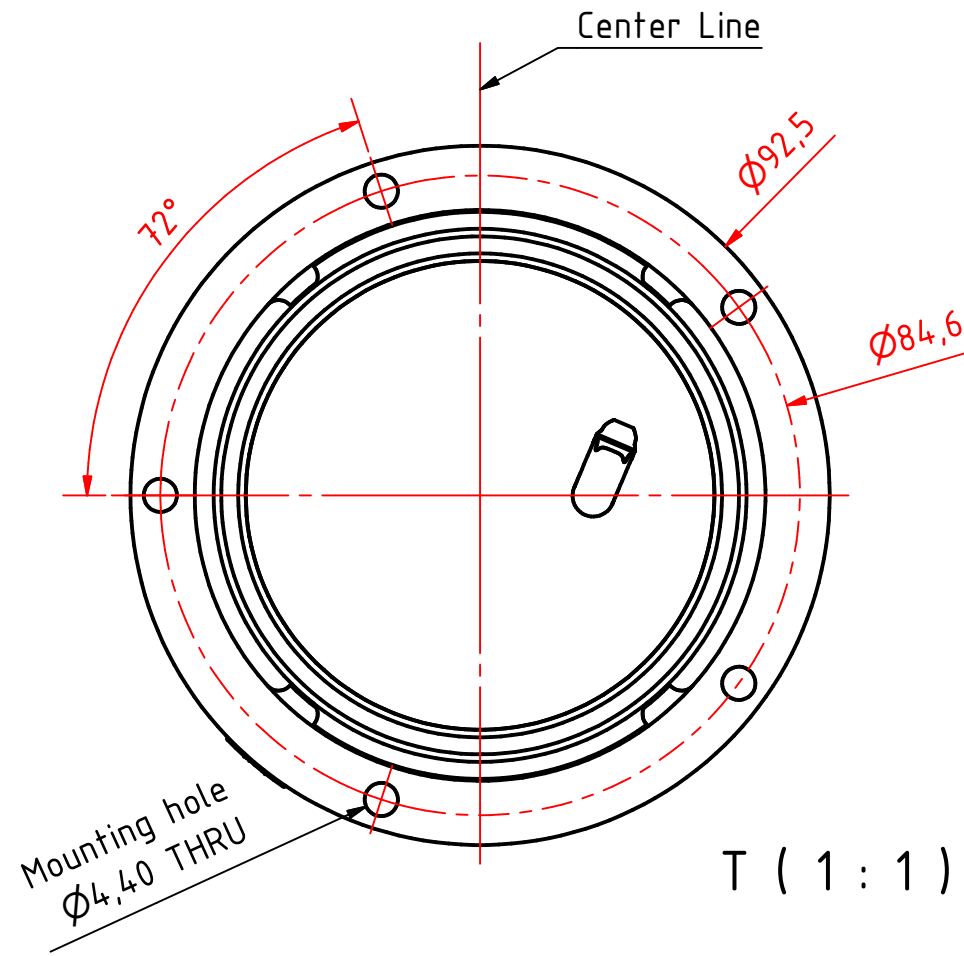
1

1



T ↑

Center Line



White 225°

CL

T (1 : 1)

Rev1 29/03/2019 Replace the 400-404 PE base for the 400-401 Alu base

301-011KL 5nm masthead HM, on a 400-036 Ultra Low profile base

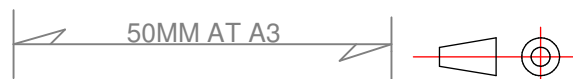
DRAWING NO.: 301-011IA	REV. NO.: 1	SIZE: A3	DRAWN BY: Sergio
SCALE: 1:1	TOLERANCES: DS/ISO 2768-f	REVIEWED BY:	CREATION DATE: 24-04-2018
MATERIAL DESCRIPTION: EN6082, Acrylic			

(20µ) Silver anodized according to EN ISO 7599
(50µ) Black anodized according to MIL-A 8625F
This Drawing, and the information within, is the property of Lopolight ApS and may not be used in any form without express permission there from. Lopolight reserves the right to change this drawing and assumes no liability for the information communicated herein. Use of dimensions and other information in this drawing is at the users own risk.



Lopolight ApS www.lopolight.com
Bakkegaardsvej 513
DK-3050, Humlebaek
Denmark

Tel:(+45) 32 48 50 30 Fax:(+45) 32 48 50 32
info@lopolight.com



8

8

A B C D E F G H I J