

301-141 3nm Red Suez stop light HM, on a 400-034 Promount base, Cable Side

DRAWING NO.:	REV. NO.:	SIZE:	DRAWN BY:
301-141AA	0	A3	Sergio
SCALE:	TOLERANCES:	REVIEWED BY:	CREATION DATE:
1:1	DS/ISO 2768-f	PHC	16-05-2019

MATERIAL DESCRIPTION:  
 EN 6082, Acrylic (20µ) Silver anodized according to EN ISO 7599  
 (50µ) Black anodized according to MIL-A 8625F

This Drawing, and the information within, is the property of Lopolight ApS and may not be used in any form without express permission there from. Lopolight reserves the right to change this drawing and assumes no liability for the information communicated herein. Use of dimensions and other information in this drawing is at the users own risk.

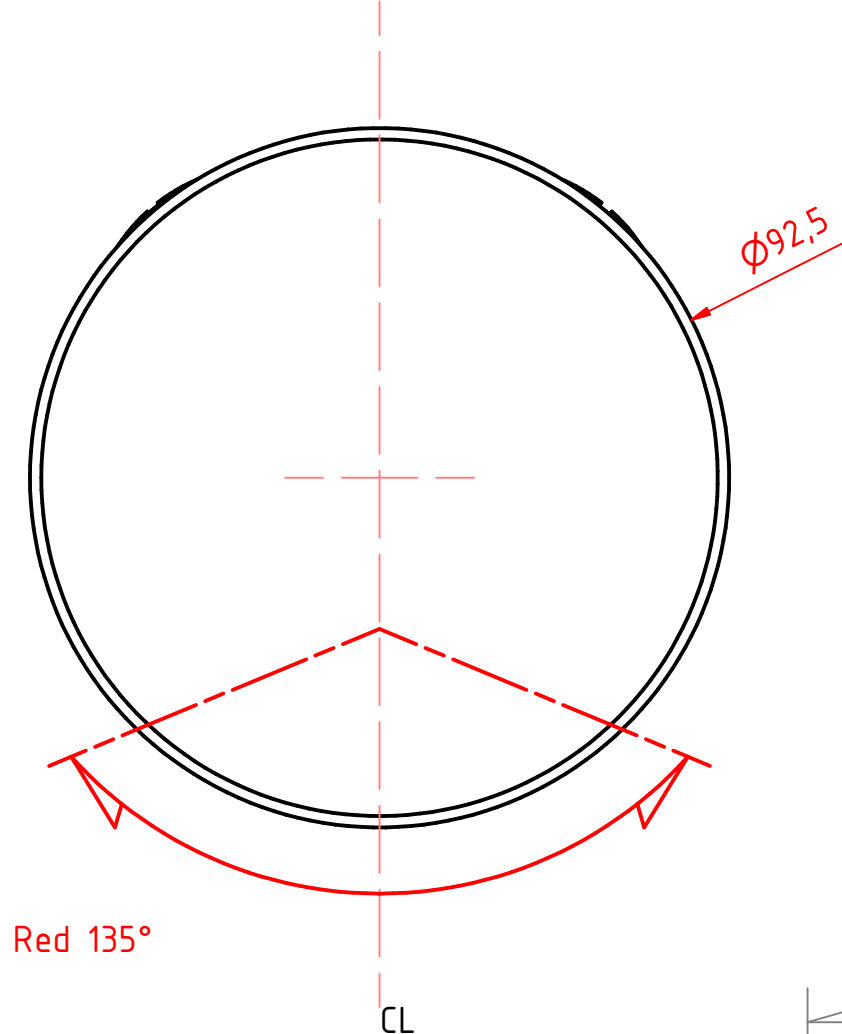
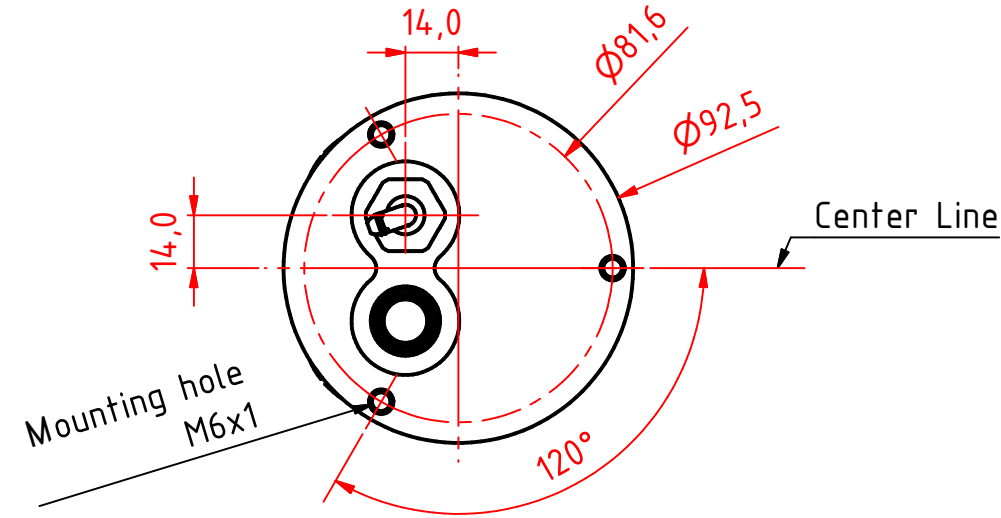
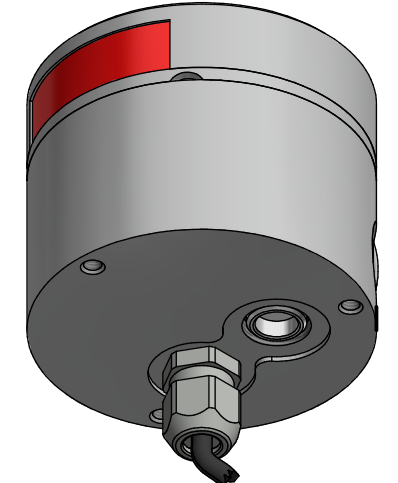
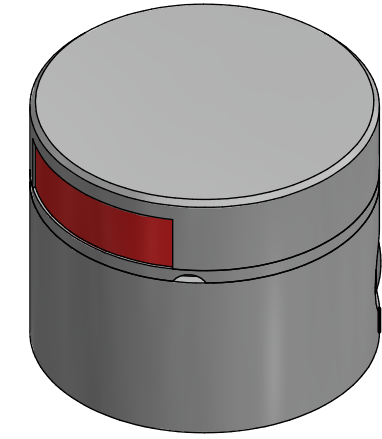
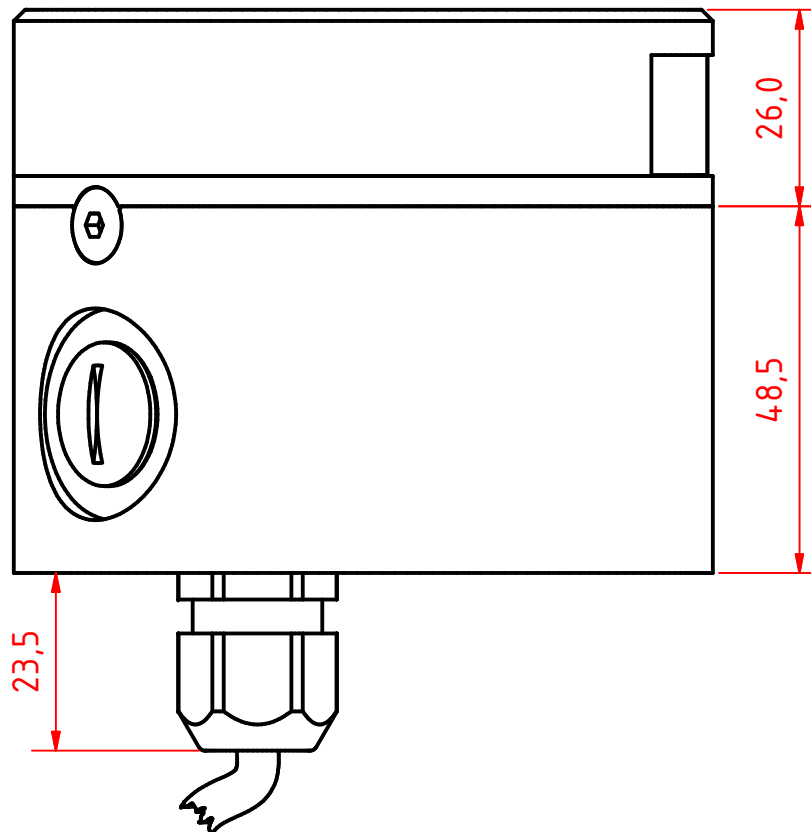
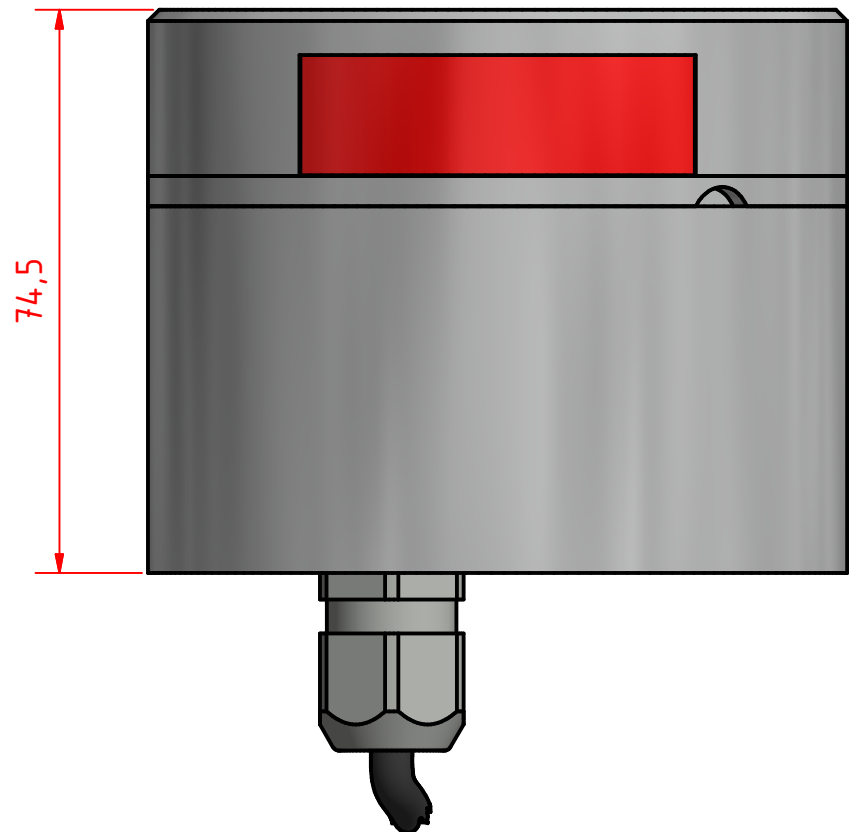


Lopolight ApS  
 Bakkegaardsvej 513  
 DK-3050, Humlebaek  
 Denmark  
[www.lopolight.com](http://www.lopolight.com)

Tel:(+45) 32 48 50 30 Fax:(+45) 32 48 50 32  
 info@lopolight.com

A B C D E F G H I J

1  
2  
3  
4  
5  
6  
7  
8



301-141 3nm Red Suez stop light HM, on a 400-034 Promount base, Cable Down

DRAWING NO.: 301-141BA	REV. NO.: 0	SIZE: A3	DRAWN BY: Sergio
SCALE: 1:1	TOLERANCES: DS/ISO 2768-f	REVIEWED BY: PHC	CREATION DATE: 16-05-2019

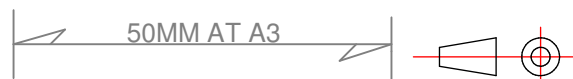
MATERIAL DESCRIPTION:  
EN 6082, Acrylic

(20µ) Silver anodized according to EN ISO 7599  
(50µ) Black anodized according to MIL-A 8625F  
This Drawing, and the information within, is the property of Lopolight ApS and may not be used in any form without express permission there from. Lopolight reserves the right to change this drawing and assumes no liability for the information communicated herein. Use of dimensions and other information in this drawing is at the users own risk.



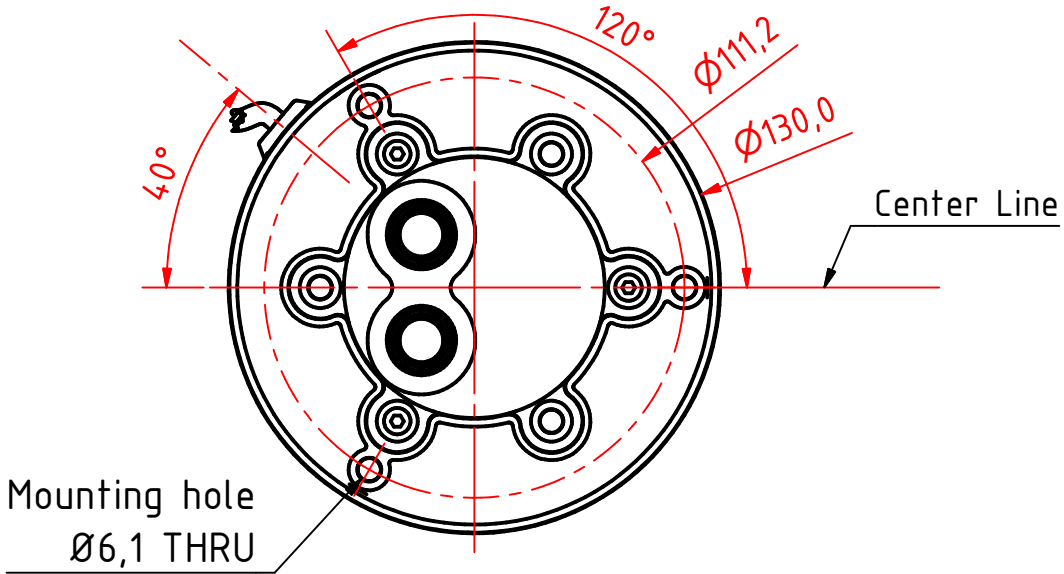
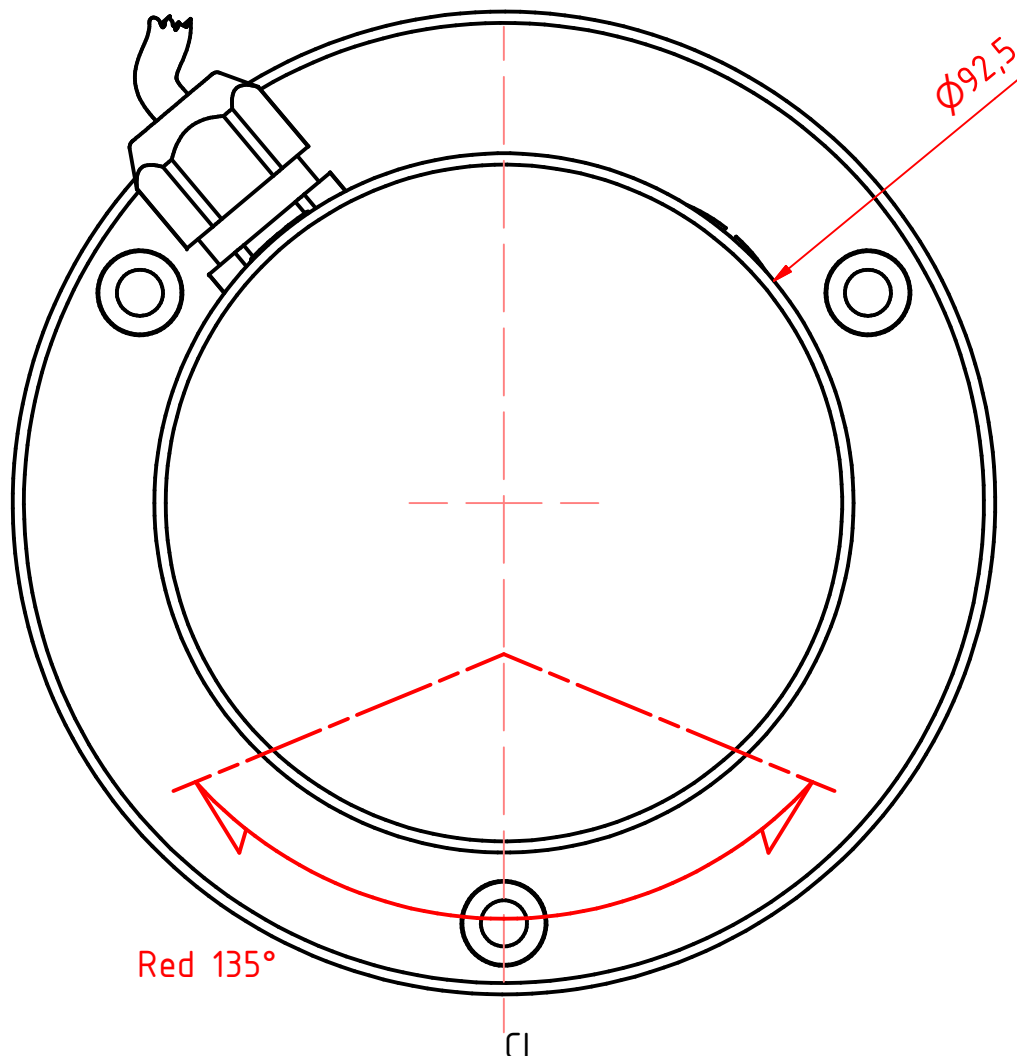
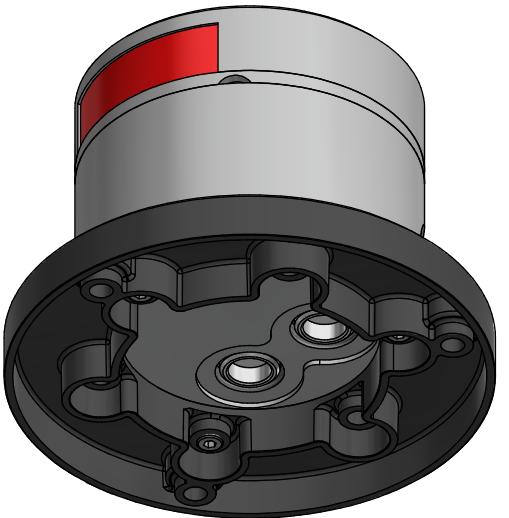
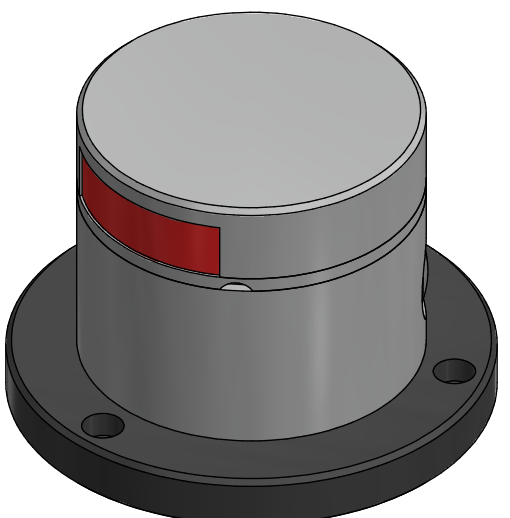
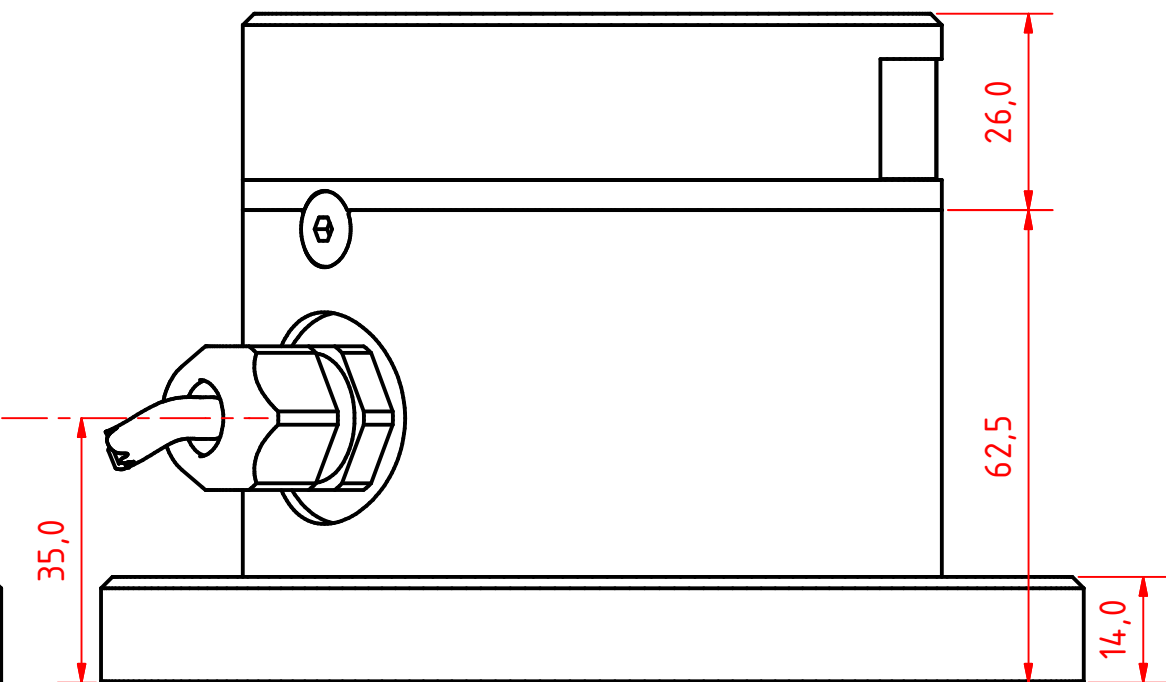
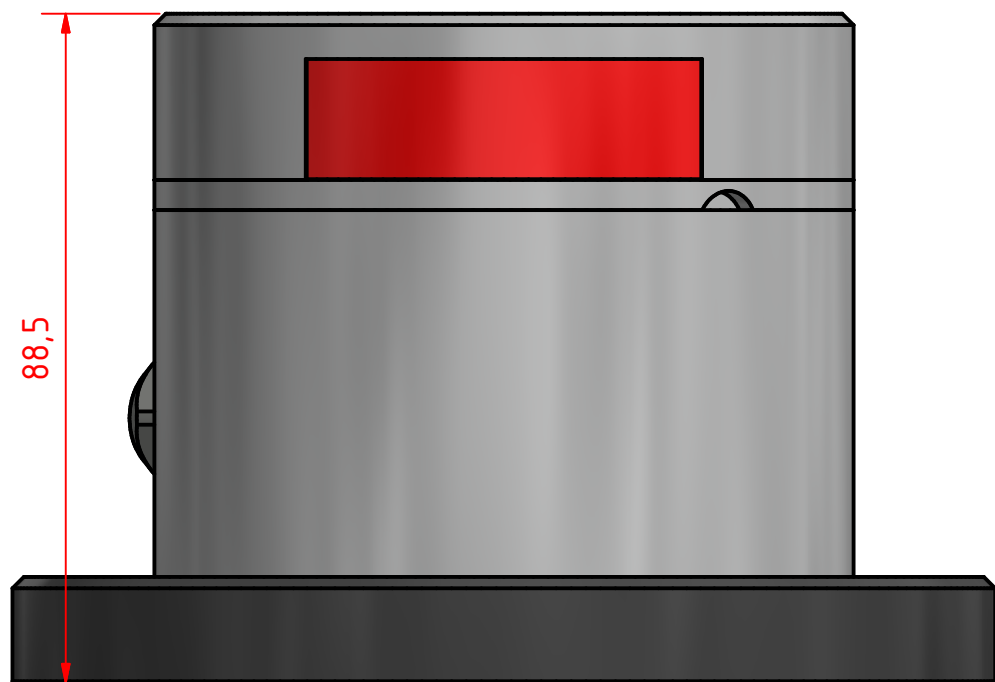
Lopolight ApS  
Bakkegaardsvej 513  
DK-3050, Humlebaek  
Denmark

Tel:(+45) 32 48 50 30 Fax:(+45) 32 48 50 32  
info@lopolight.com



A B C D E F G H I J

1  
2  
3  
4  
5  
6  
7  
8



301-141 3nm Red Suez stop light HM, on a  
400-034 Promount base and 400-404 PE  
base plate, Cable Side

DRAWING NO.:	REV. NO.:	SIZE:	DRAWN BY:
301-141CA	0	A3	Sergio

SCALE:	TOLERANCES:	REVIEWED BY:	CREATION DATE:
1:1	DS/ISO 2768-f	PHC	16-05-2019

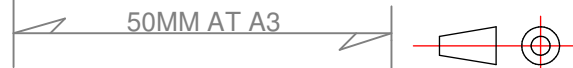
MATERIAL DESCRIPTION:  
EN 6082, Acrylic, PE (20µ) Silver anodized according to EN ISO 7599  
(50µ) Black anodized according to MIL-A 8625F

This Drawing, and the information within, is the property of Lopolight ApS and may not be used in any form without express permission there from. Lopolight reserves the right to change this drawing and assumes no liability for the information communicated herein. Use of dimensions and other information in this drawing is at the users own risk.



Lopolight ApS  
Bakkegaardsvej 513  
DK-3050, Humlebaek  
Denmark

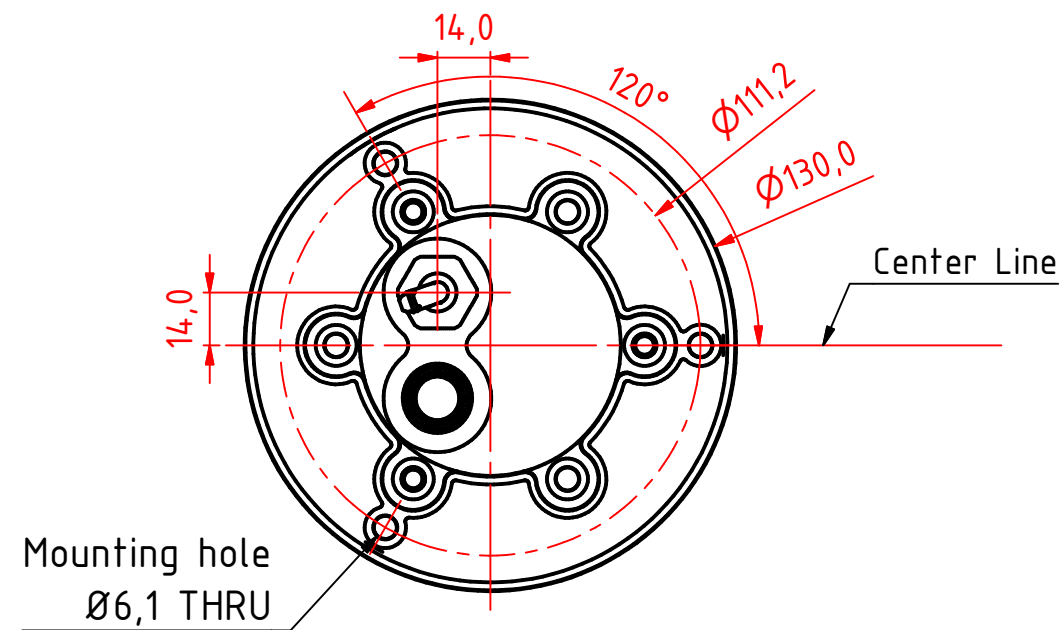
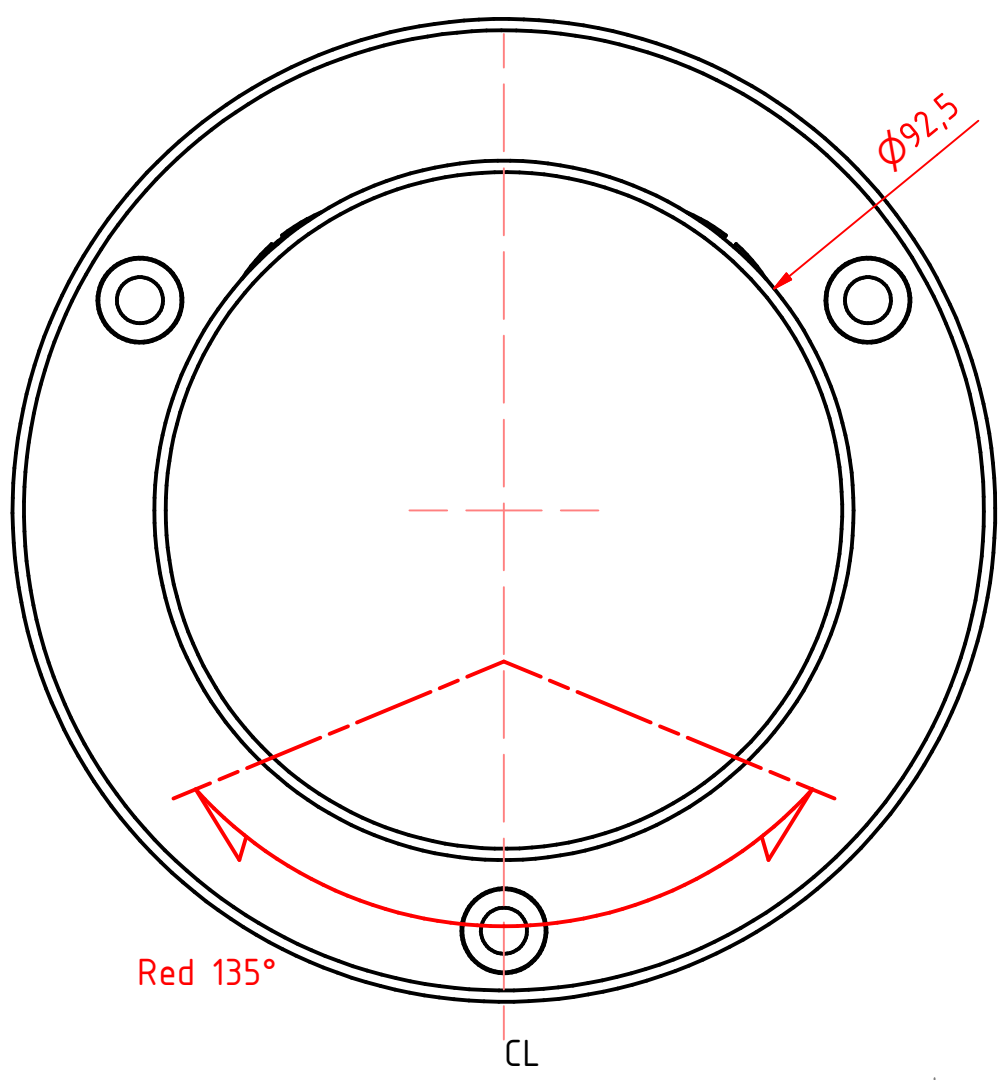
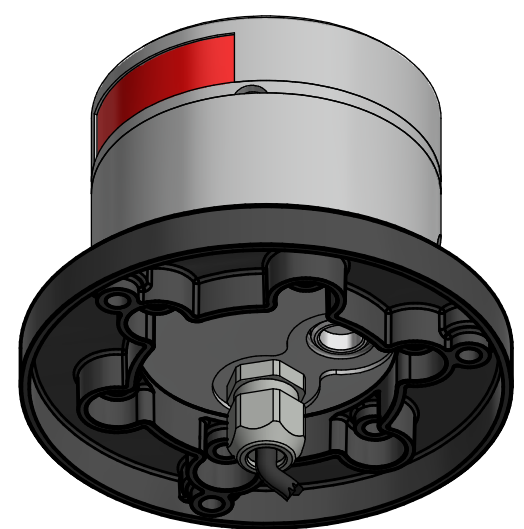
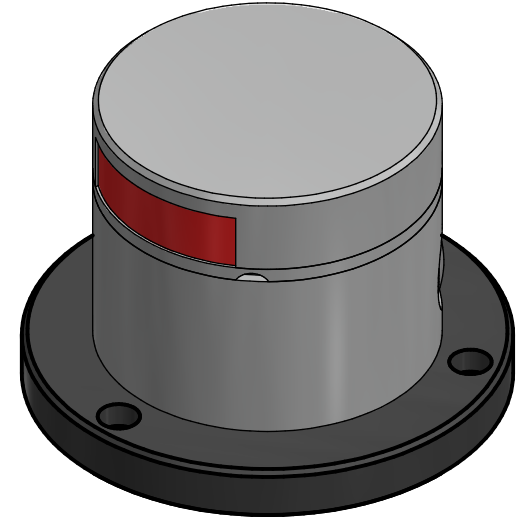
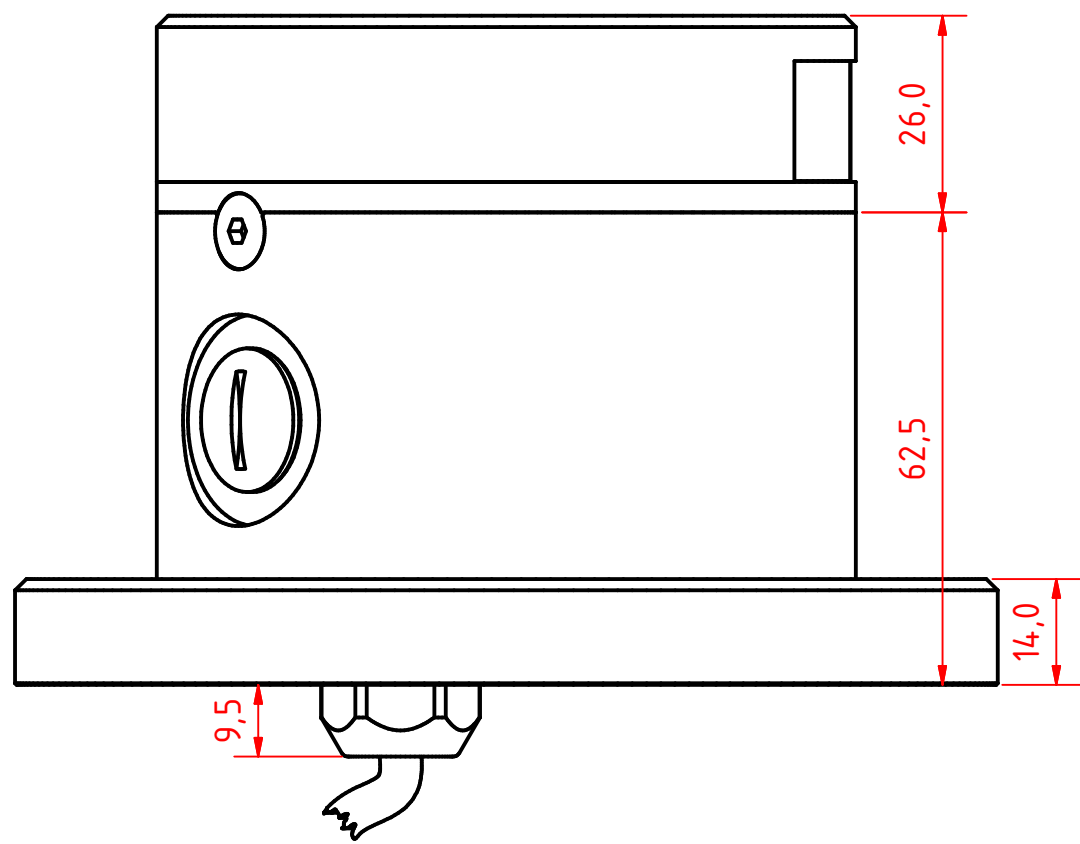
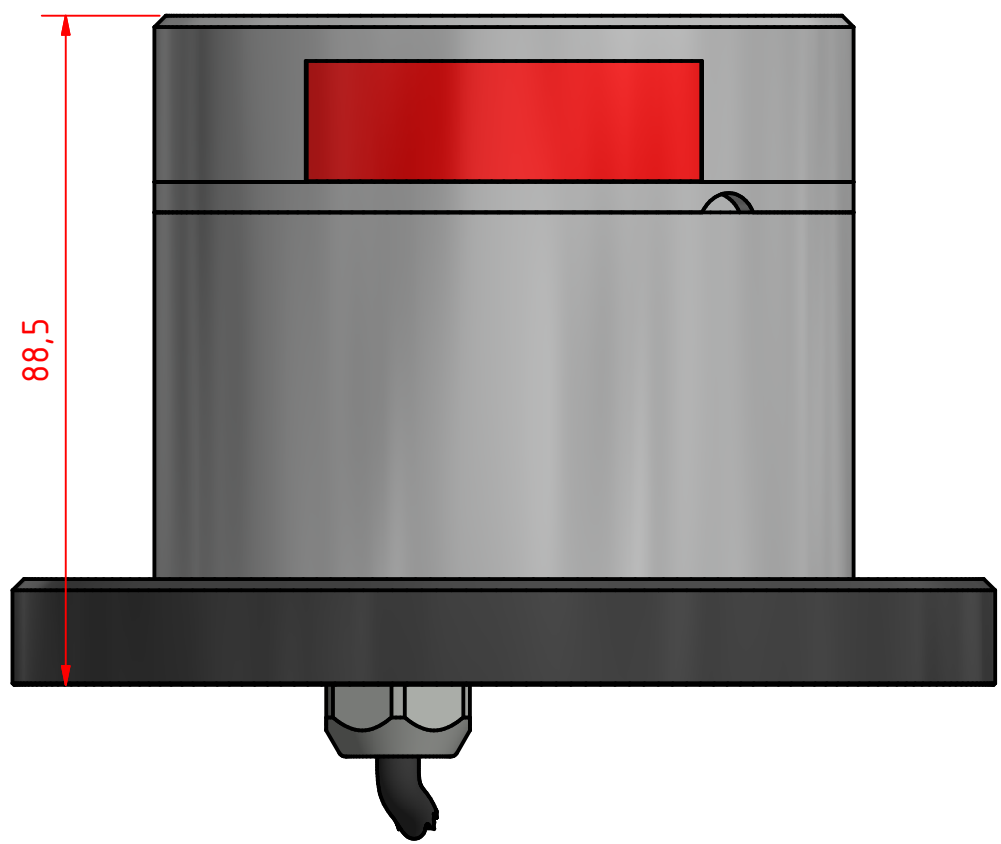
Tel:(+45) 32 48 50 30 Fax:(+45) 32 48 50 32  
info@lopolight.com



A B C D E F G H I J

A B C D E F G H J

1  
2  
3  
4  
5  
6  
7  
8



Mounting hole  
 $\phi 6,1$  THRU

301-141 3nm Red Suez stop light HM, on a  
400-034 Promount base and 400-404 PE  
base plate, Cable Down

DRAWING NO.:	REV. NO.:	SIZE:	DRAWN BY:
301-141DA	0	A3	Sergio

SCALE:	TOLERANCES:	REVIEWED BY:	CREATION DATE:
1:1	DS/ISO 2768-f	PHC	16-05-2019

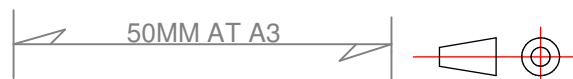
MATERIAL DESCRIPTION:  
EN 6082, Acrylic, PE (20µ) Silver anodized according to EN ISO 7599  
(50µ) Black anodized according to MIL-A 8625F

This Drawing, and the information within, is the property of Lopolight ApS and may not be used in any form without express permission there from. Lopolight reserves the right to change this drawing and assumes no liability for the information communicated herein. Use of dimensions and other information in this drawing is at the users own risk.



Lopolight ApS  
Bakkegaardsvej 513  
DK-3050, Humlebaek  
Denmark

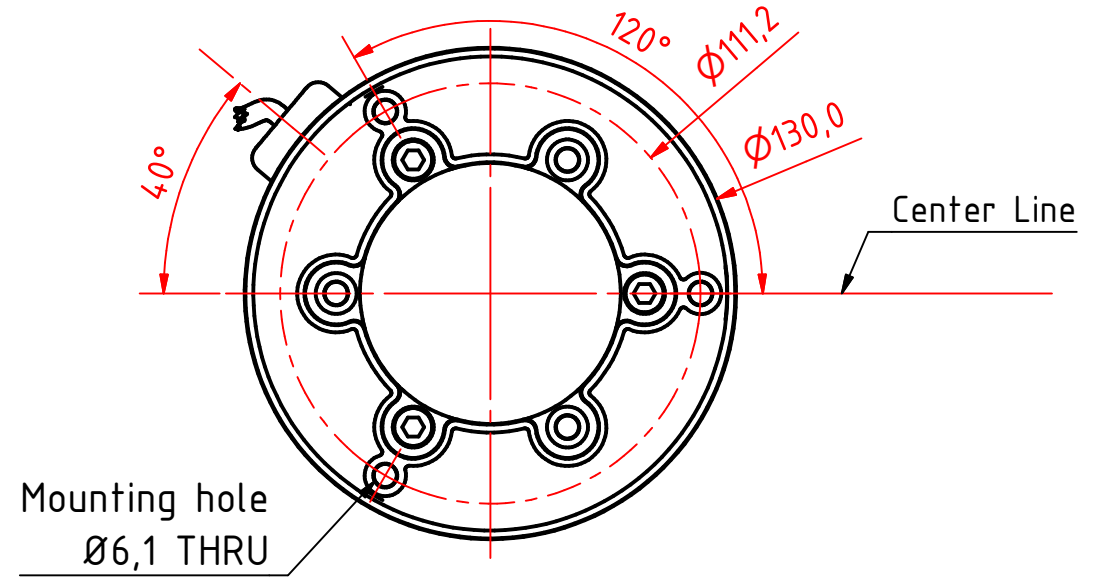
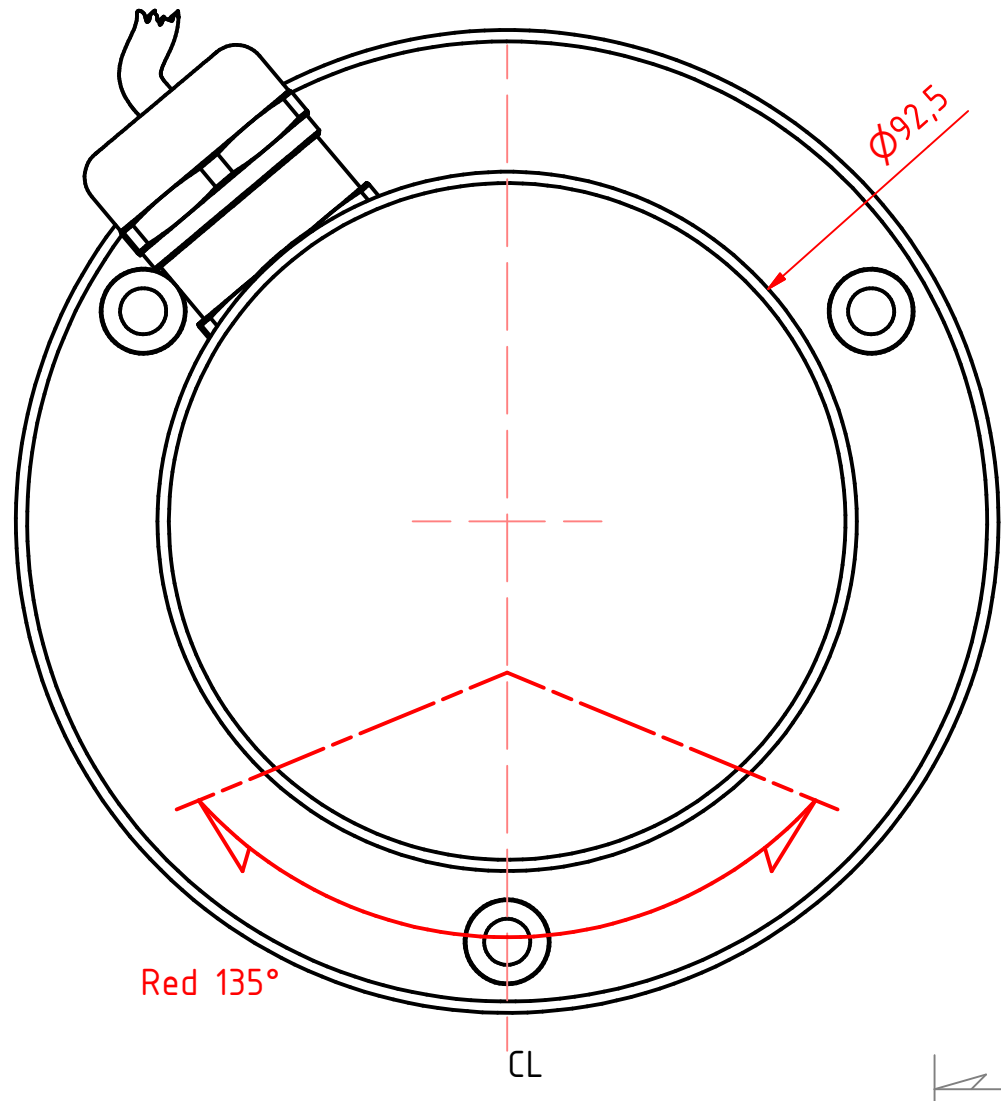
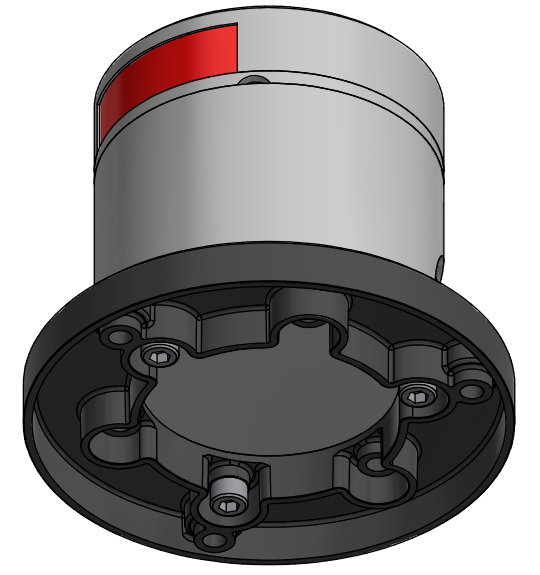
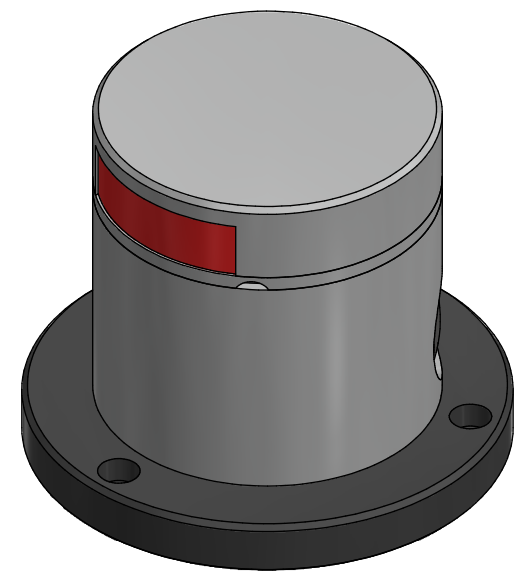
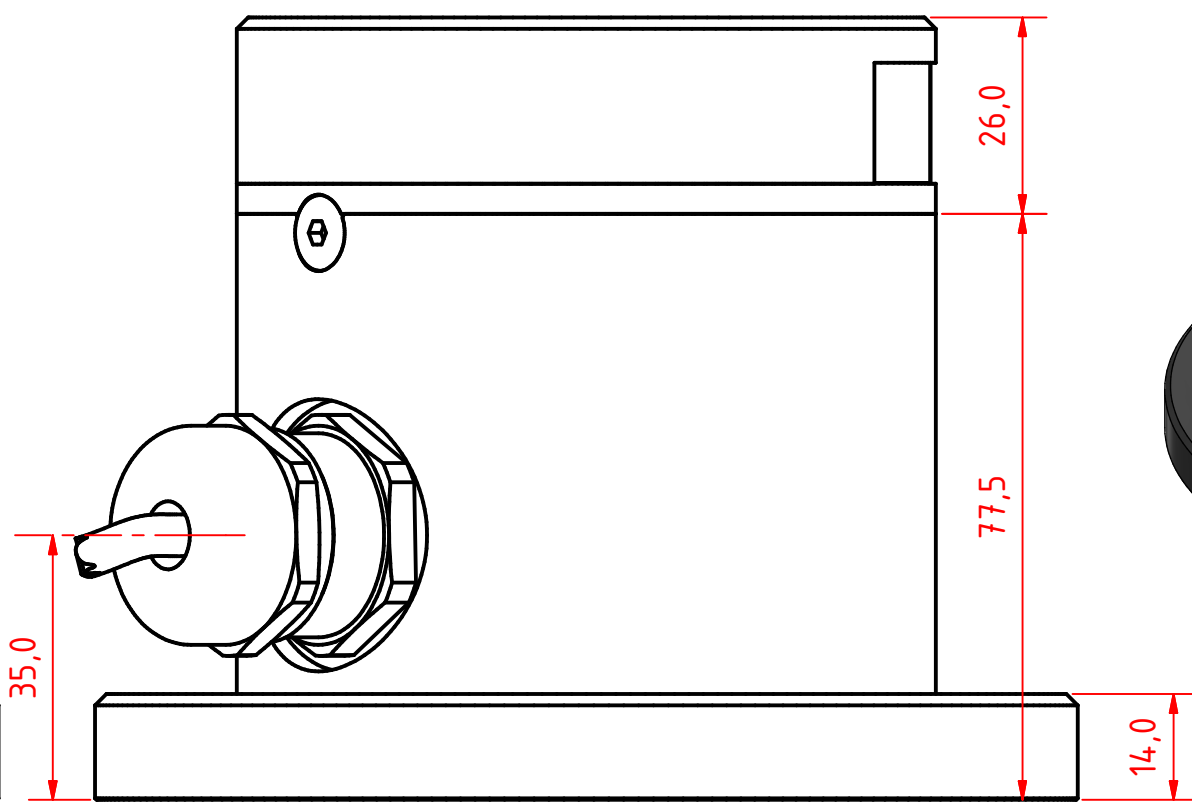
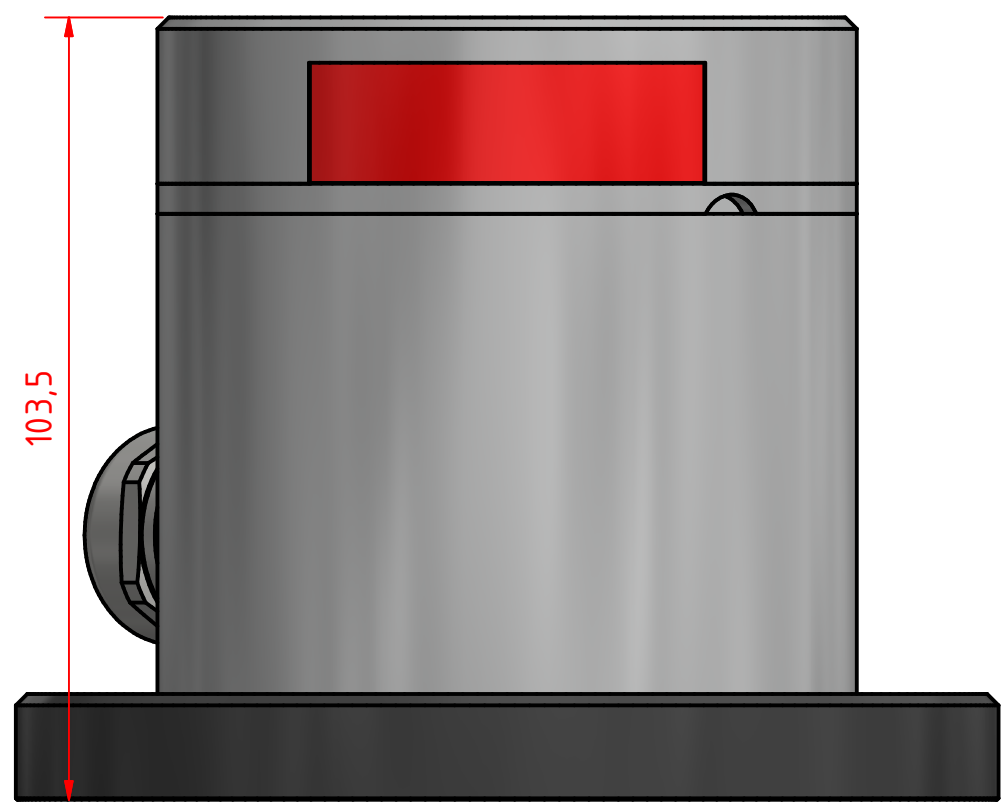
Tel:(+45) 32 48 50 30 Fax:(+45) 32 48 50 32  
info@lopolight.com



A B C D E F G H J

A B C D E F G H I J

1  
2  
3  
4  
5  
6  
7  
8



Mounting hole  
Ø6,1 THRU

301-141 3nm Red Suez stop light HM, on a  
400-037 Promount base PRO Series version  
and 400-404 PE base plate, Cable Side

DRAWING NO.:	REV. NO.:	SIZE:	DRAWN BY:
301-141HA	0	A3	Sergio
SCALE:	TOLERANCES:	REVIEWED BY:	CREATION DATE:
1:1	DS/ISO 2768-f	PHC	16-05-2019

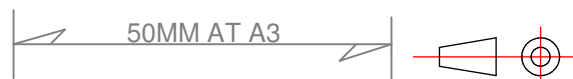
MATERIAL DESCRIPTION:  
EN 6082, Acrylic, PE (20µ) Silver anodized according to EN ISO 7599  
(50µ) Black anodized according to MIL-A 8625F

This Drawing, and the information within, is the property of Lopolight ApS and may not be used in any form without express permission there from. Lopolight reserves the right to change this drawing and assumes no liability for the information communicated herein. Use of dimensions and other information in this drawing is at the users own risk.



Lopolight ApS  
Bakkegaardsvej 513  
DK-3050, Humlebaek  
Denmark

Tel:(+45) 32 48 50 30 Fax:(+45) 32 48 50 32  
info@lopolight.com



A B C D E F G H I J