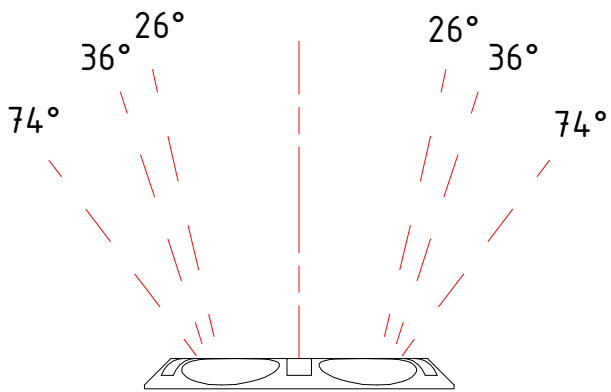
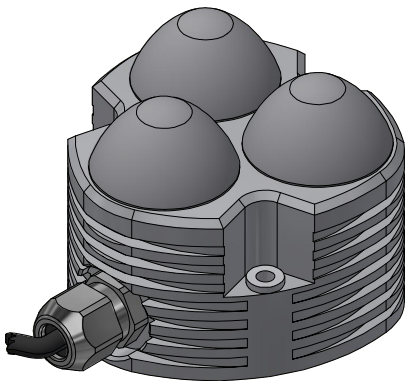
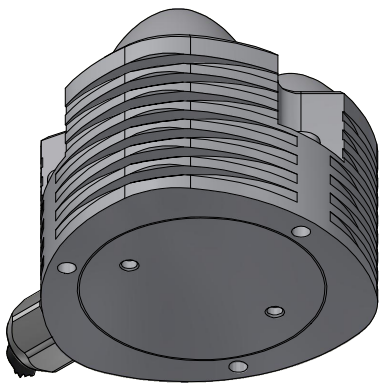


These lights can be accommodated with either a 26° a 36° or a 74° light beam.



Light beam configurations



400-080-06 Spreader Light

DRAWING NO.: **400-080AA** REV. NO.: **0** SIZE: **A3** DRAWN BY: **Sergio**

SCALE: **1:1** TOLERANCES: **DS/ISO 2768-f** REVIEWED BY:

MATERIAL DESCRIPTION: **Aluminium & Acrylic**

This Drawing, and the information within, is the property of Lopolight ApS and may not be used in any form without express permission there from. Lopolight reserves the right to change this drawing and assumes no liability for the information communicated herein. Use of dimensions and other information in this drawing is at the users own risk.



Lopolight ApS www.lopolight.com
 Bakkegaardsvej 513
 DK-3050, Humlebaek
 Denmark

Tel: (+45) 32 48 50 30 Fax: (+45) 32 48 50 32
 info@lopolight.com

50MM AT A3

