

TITLE: 200-022G2 2 NM 360° BLUE LIGHT, on a 400-038 PE std base			
DRAWING NO.:	REV. NO.:	SIZE:	DRAWN BY:
200-022G2-AA	1	A3	Thomas
SCALE:	TOLERANCES:	REVIEWED BY:	CREATION DATE:
1 : 1	DS/ISO 2768-f		18-10-2021
MATERIAL DESCRIPTION: Alu. EN6082, Acrylic, PE (20µ) Silver anodized according to EN ISO 7599 (50µ) Black anodized according to MIL-A 8625F			

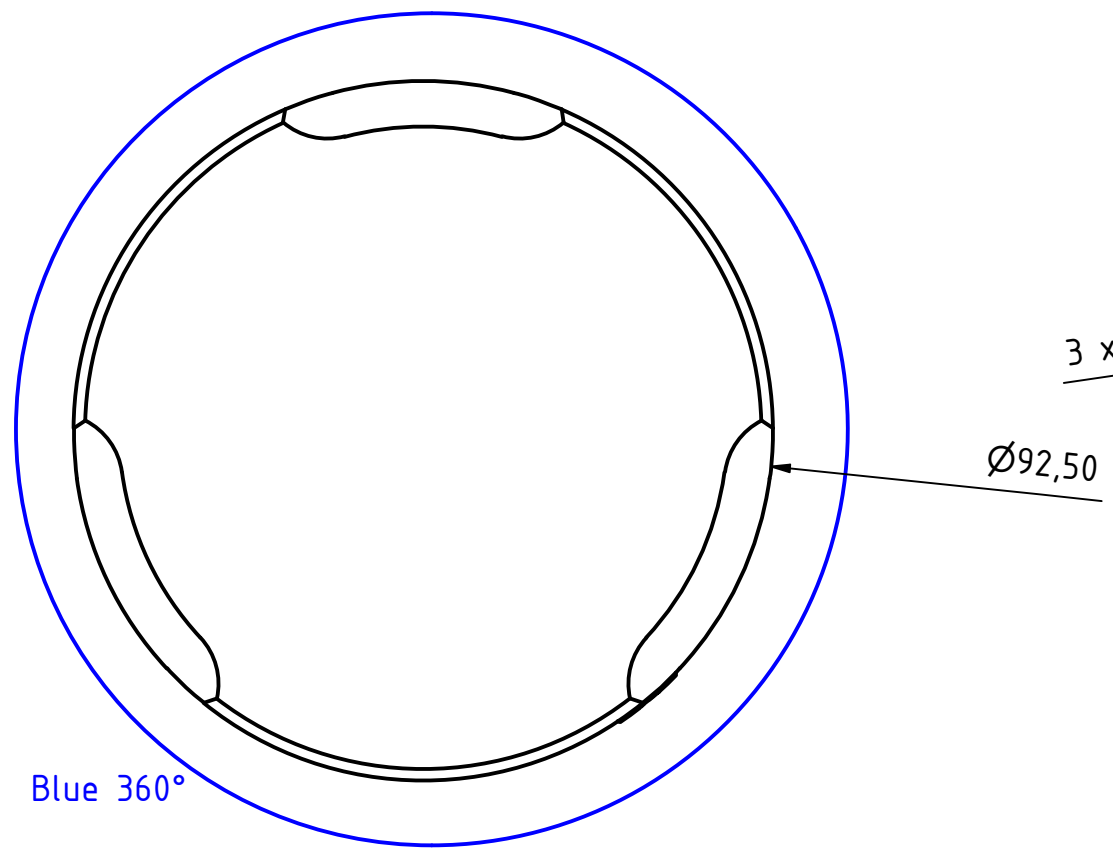
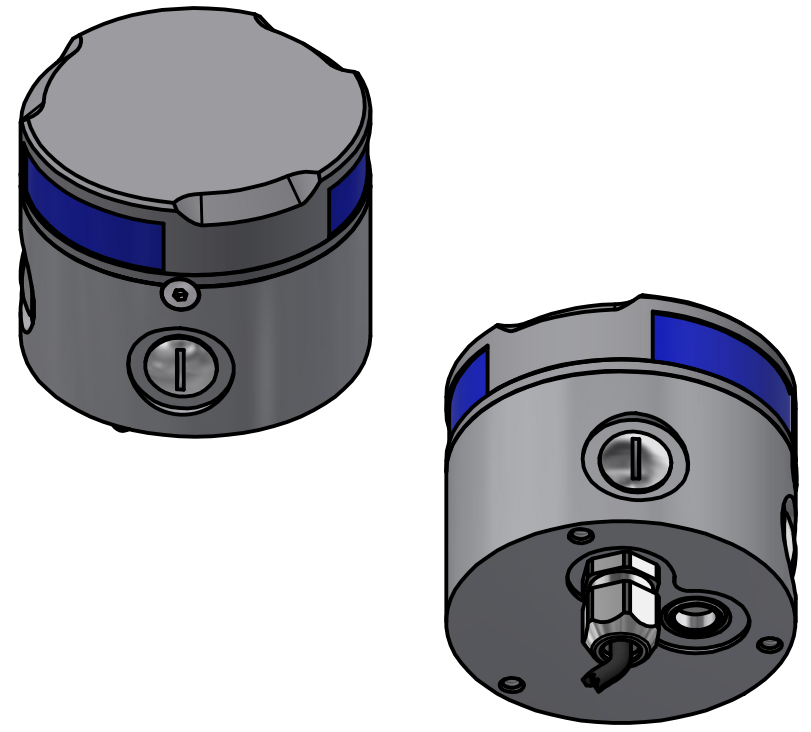
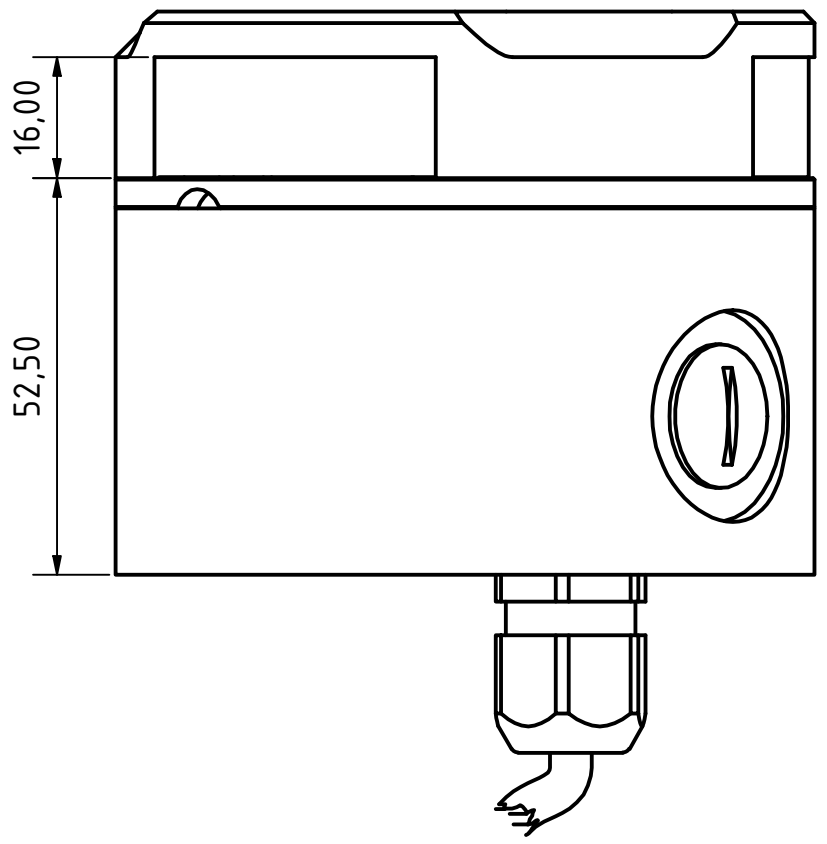
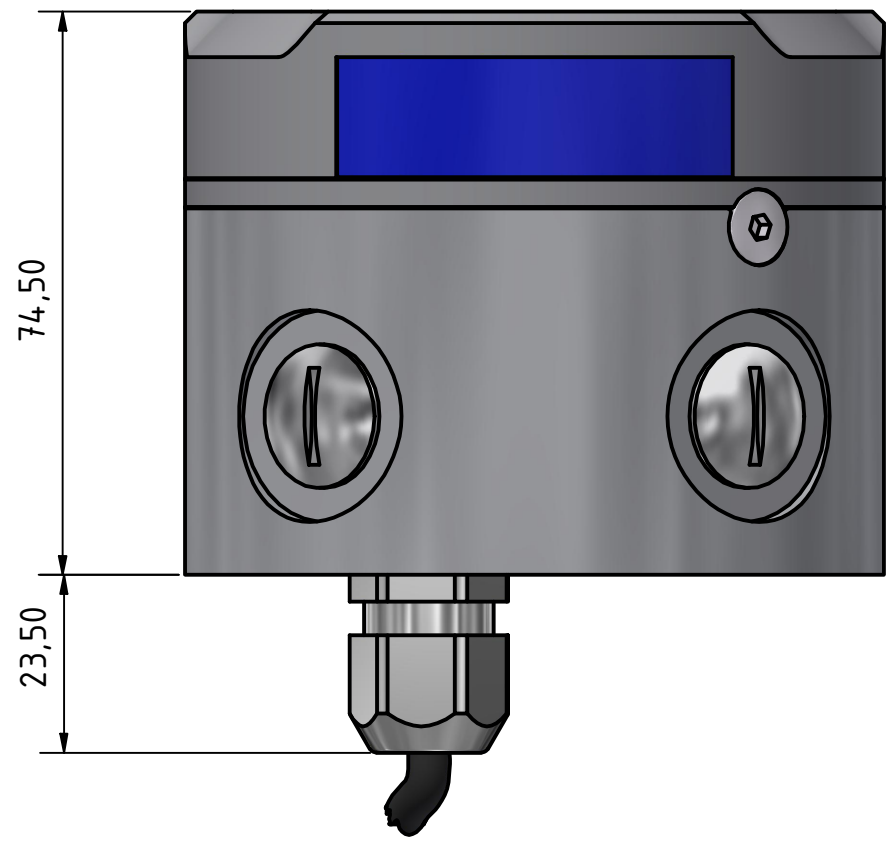
LOPOLIGHT

Lopolight ApS
 Bakkegaardsvej 513
 DK-3050, Humlebaek
 Denmark
www.lopolight.com

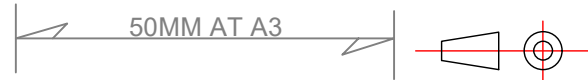
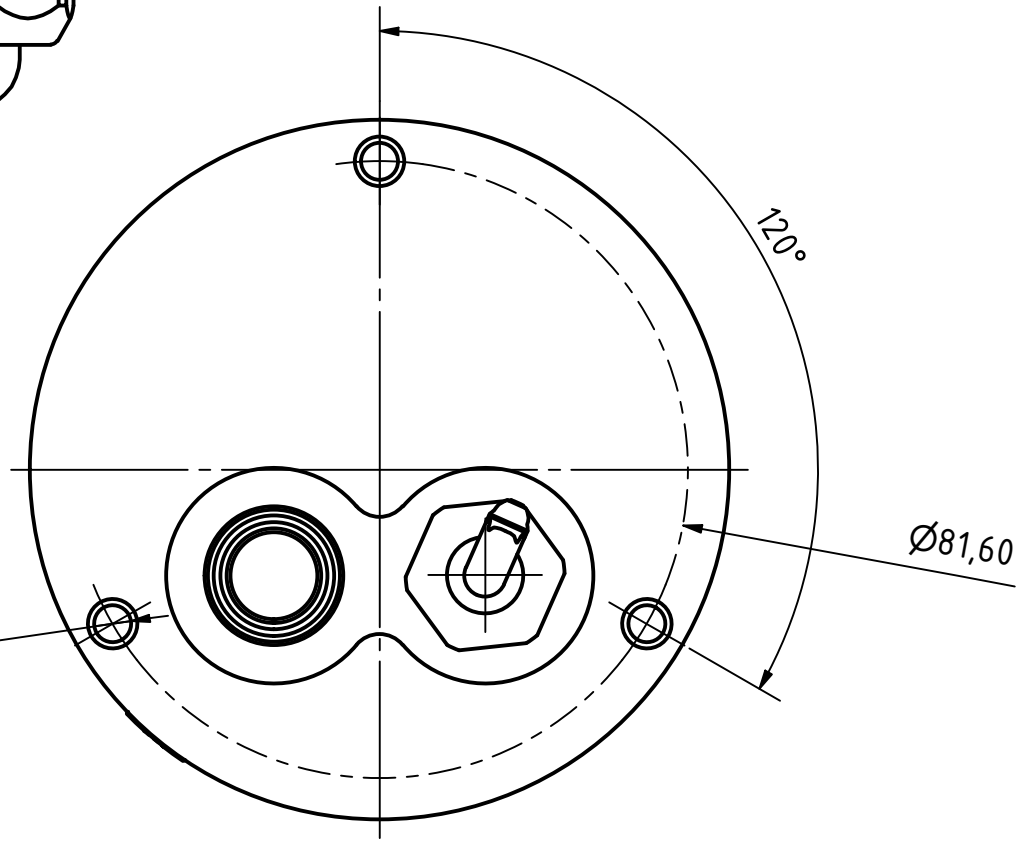
Tel:(+45) 32 48 50 30
info@lopolight.com



This Drawing, and the information within, is the property of Lopolight ApS and may not be used in any form without express permission there from. Lopolight reserves the right to change this drawing and assumes no liability for the information communicated herein. Use of dimensions and other information in this drawing is at the users own risk.



Mounting Holes
3 x M6x1 - 10,00 DEEP



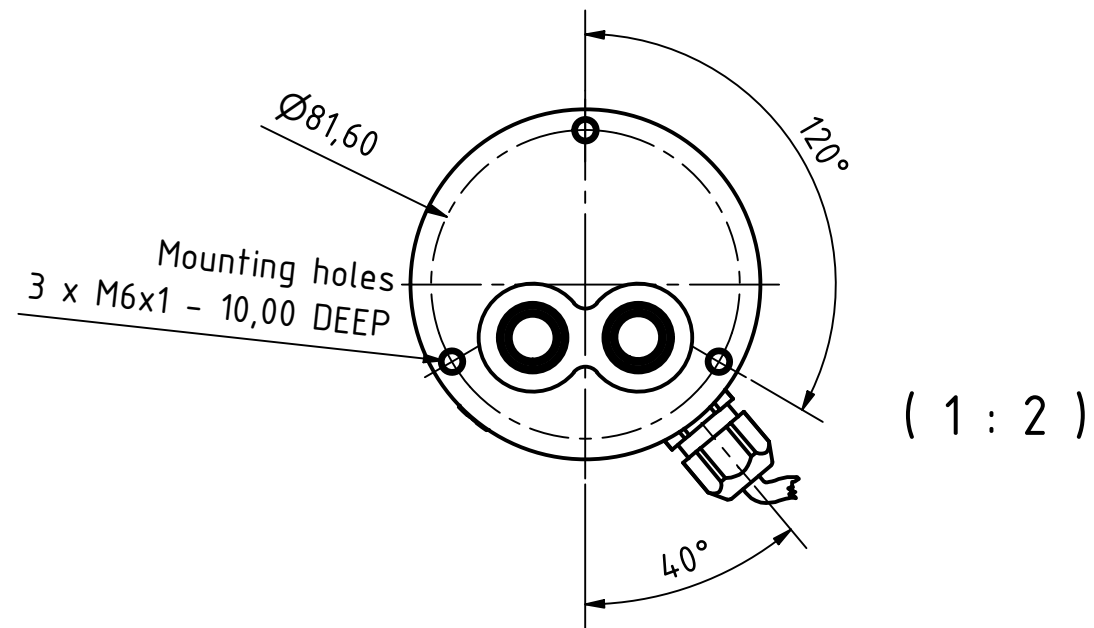
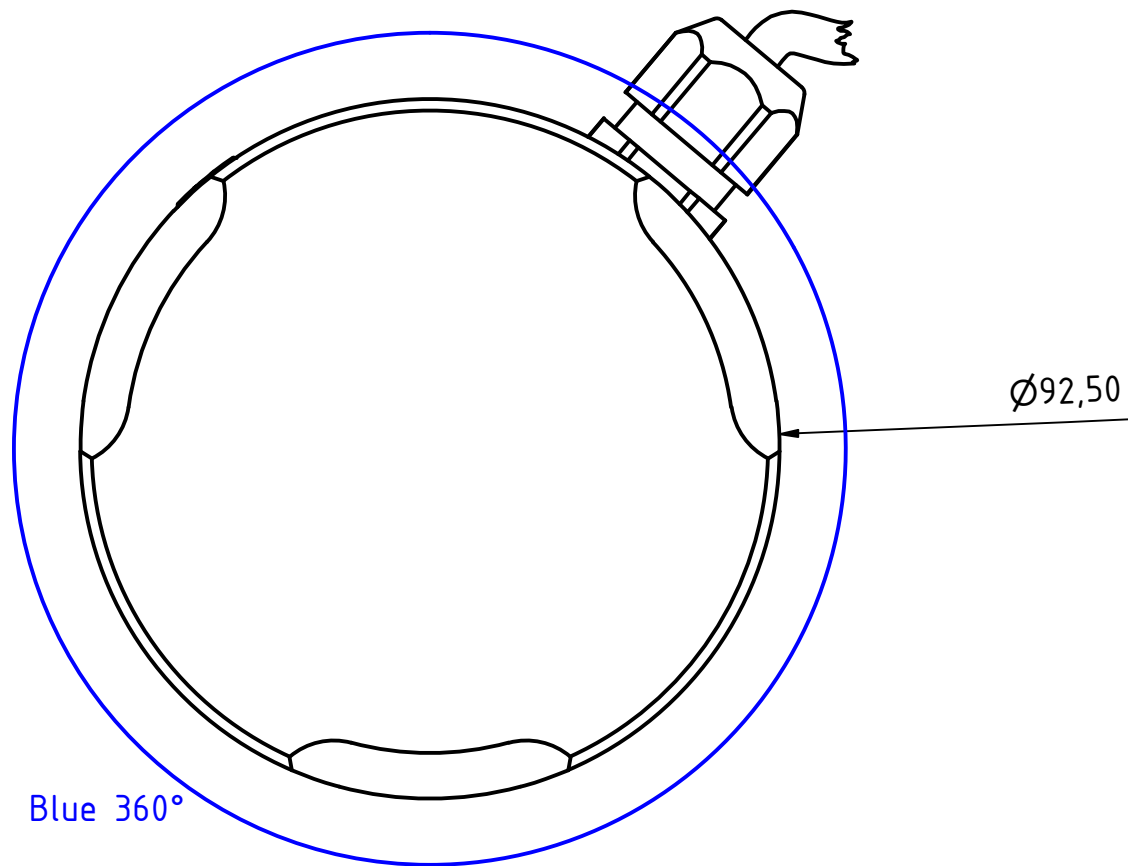
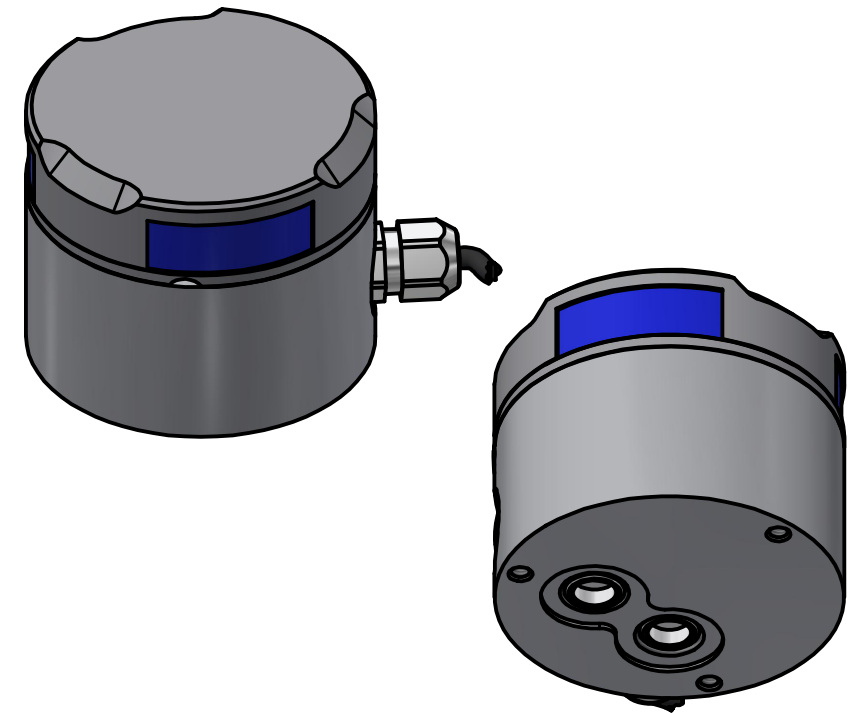
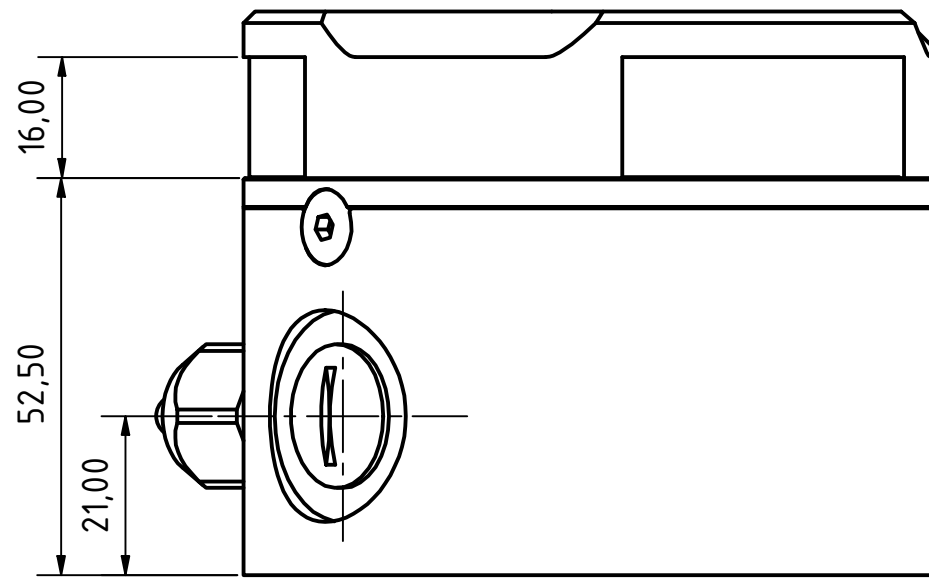
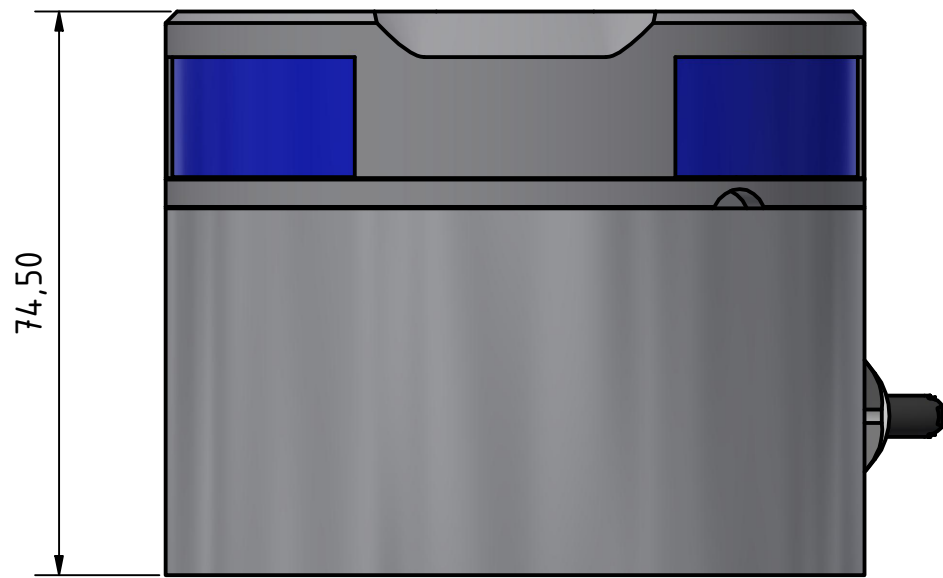
TITLE: 200-022G2 2 NM 360° BLUE LIGHT, on a 400-034 Promount base, cable down			
DRAWING NO.:	REV. NO.:	SIZE:	DRAWN BY:
200-022G2-BA	1	A3	Thomas
SCALE:	TOLERANCES:	REVIEWED BY:	CREATION DATE:
1 : 1	DS/ISO 2768-f		18-10-2021
MATERIAL DESCRIPTION:		(20µ) Silver anodized according to EN ISO 7599 (50µ) Black anodized according to MIL-A 8625F	
Alu. EN6082, Acrylic			

LOPOLIGHT

Lopolight ApS
 Bakkegaardsvej 513
 DK-3050, Humlebaek
 Denmark
www.lopolight.com

Tel:(+45) 32 48 50 30
info@lopolight.com

This Drawing, and the information within, is the property of Lopelight ApS and may not be used in any form without express permission there from. Lopelight reserves the right to change this drawing and assumes no liability for the information communicated herein. Use of dimensions and other information in this drawing is at the users own risk.



TITLE: 200-022G2 2 NM 360° BLUE LIGHT, on a 400-034 Promount base, cable Side			
DRAWING NO.:	REV. NO.:	SIZE:	DRAWN BY:
200-022G2-CA	1	A3	Thomas
SCALE:	TOLERANCES:	REVIEWED BY:	CREATION DATE:
1 : 1	DS/ISO 2768-f		18-10-2021
MATERIAL DESCRIPTION:		(20µ) Silver anodized according to EN ISO 7599 (50µ) Black anodized according to MIL-A 8625F	
Alu. EN6082, Acrylic			

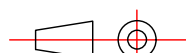
This Drawing, and the information within, is the property of Lopolight ApS and may not be used in any form without express permission there from. Lopolight reserves the right to change this drawing and assumes no liability for the information communicated herein. Use of dimensions and other information in this drawing is at the users own risk.

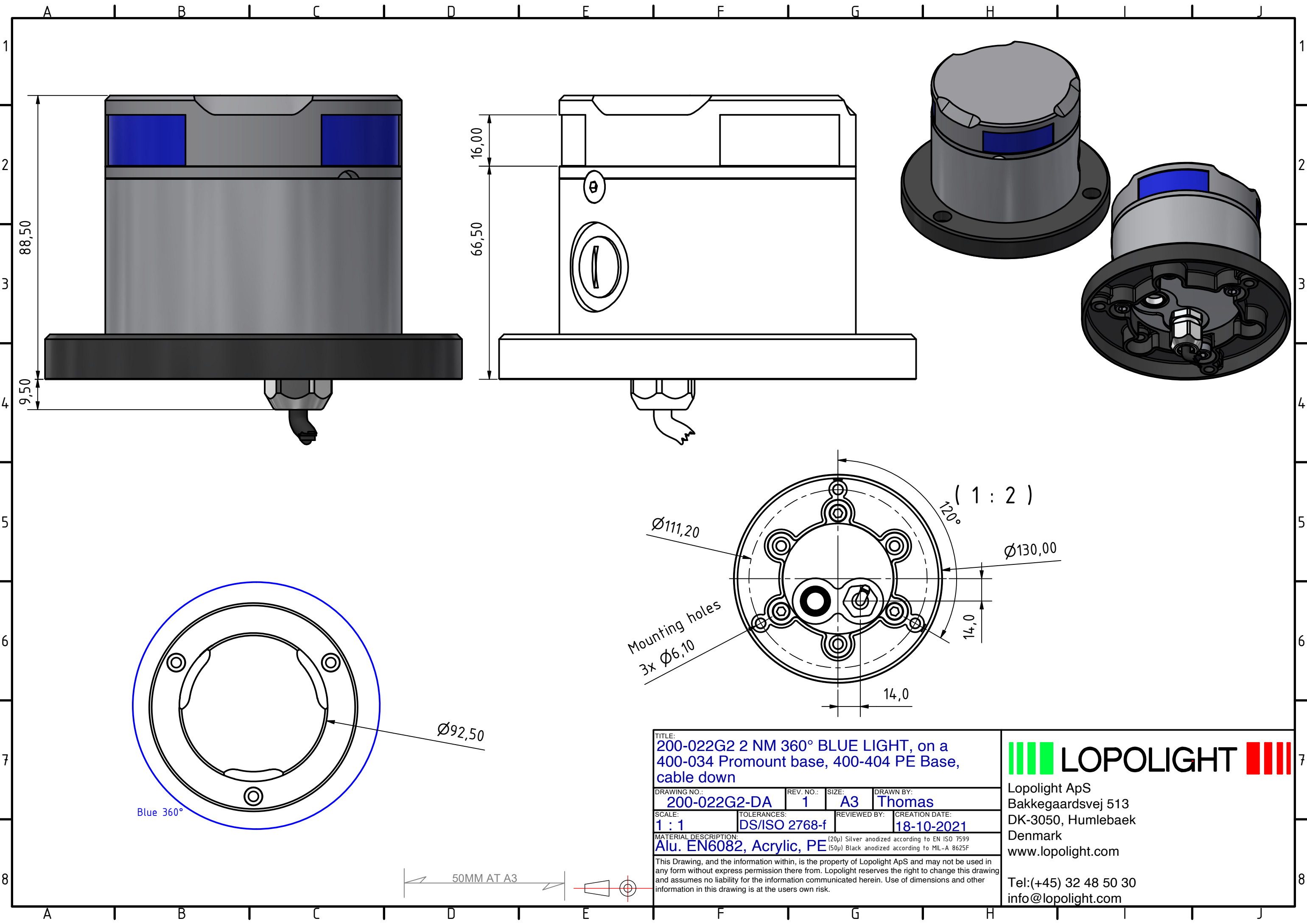


Lopolight ApS
Bakkegaardsvej 513
DK-3050, Humlebaek
Denmark
www.lopolight.com

Tel:(+45) 32 48 50 30
info@lopolight.com

50MM AT A3





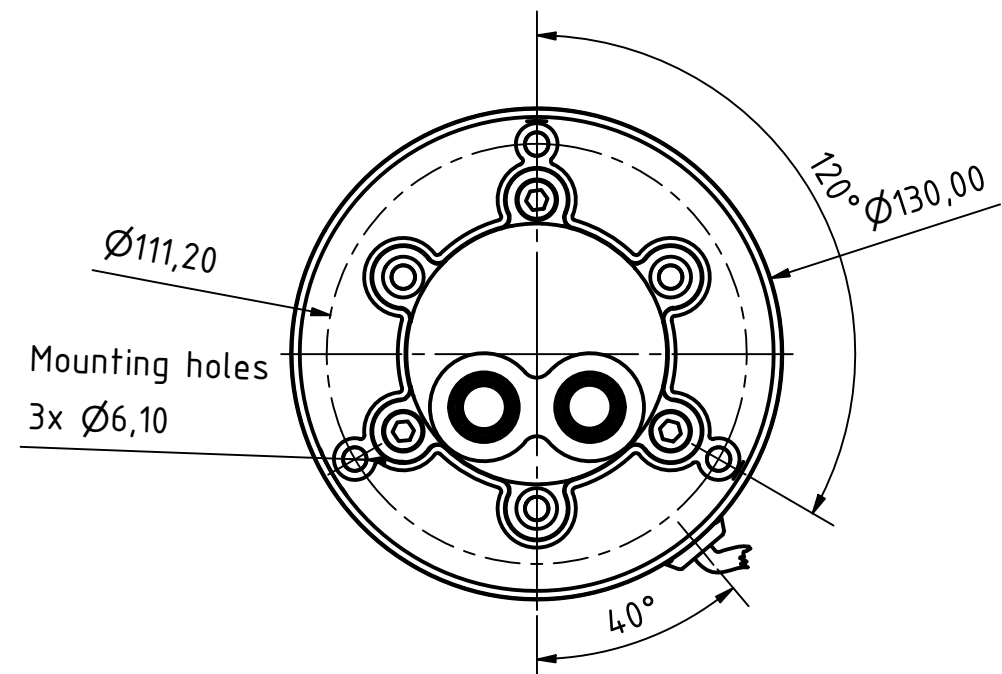
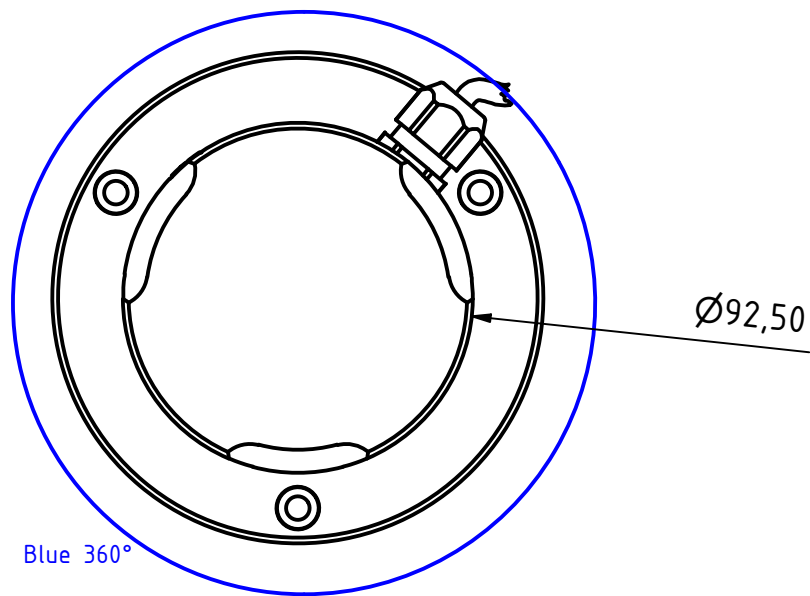
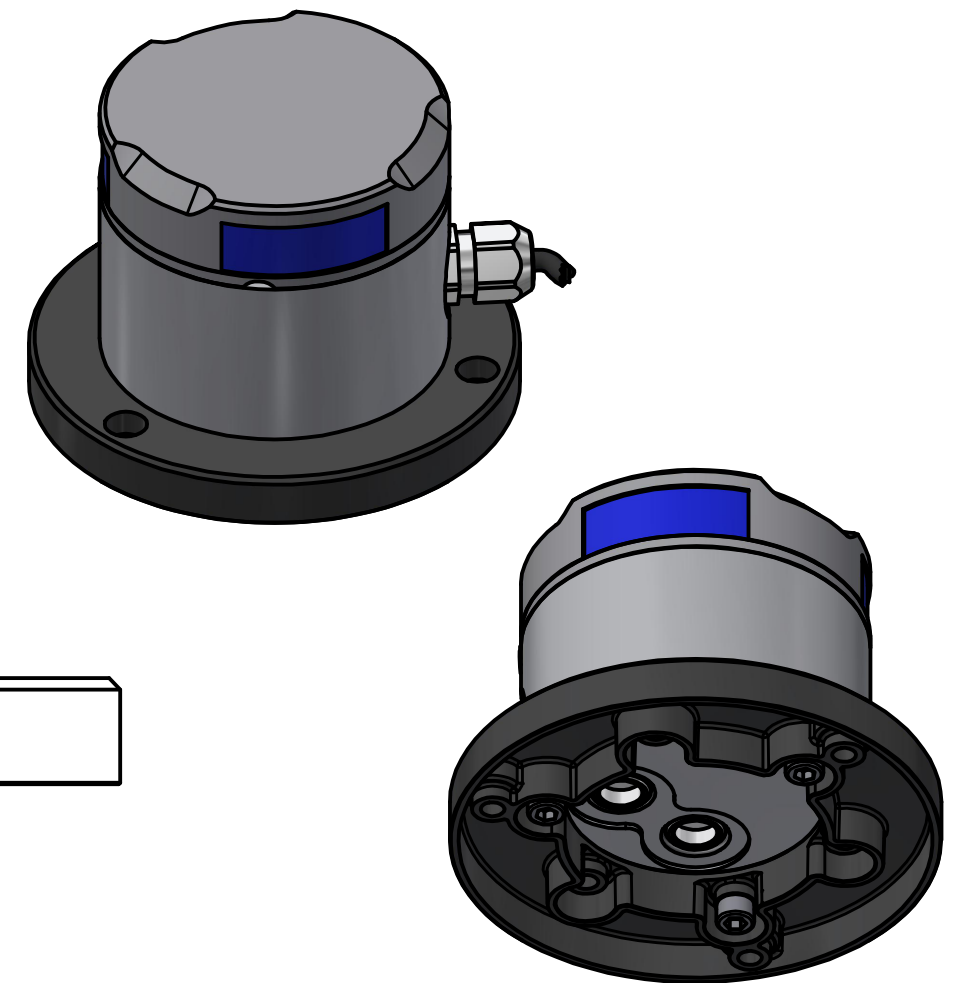
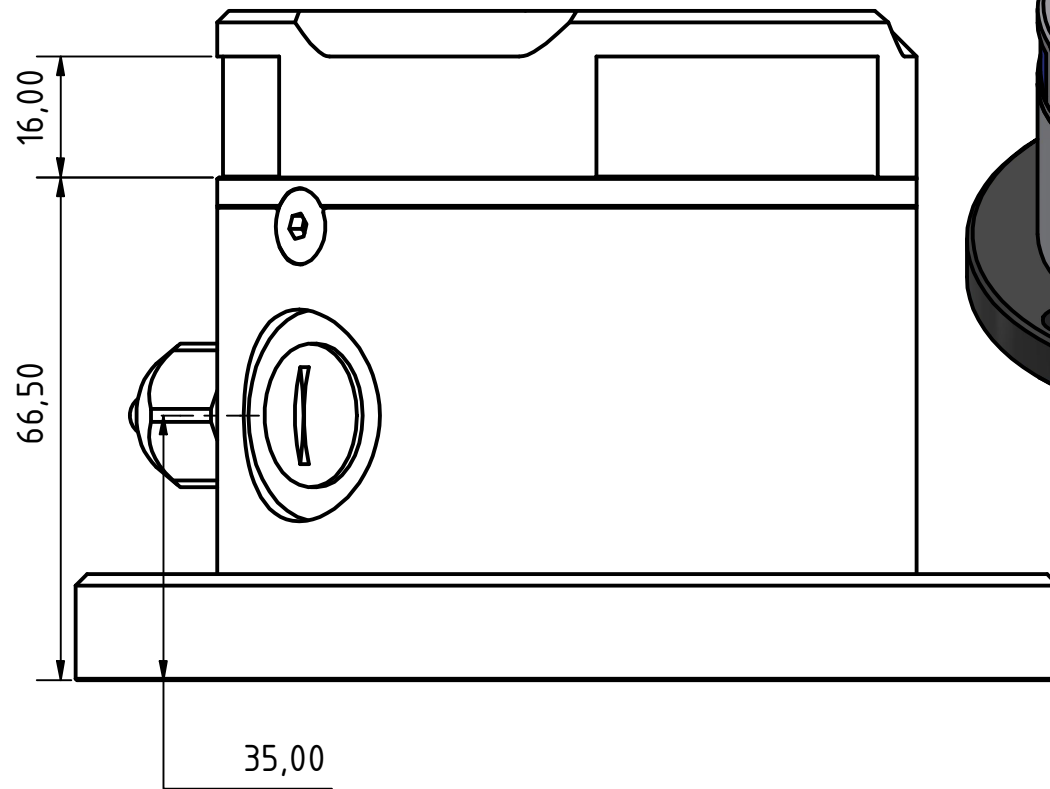
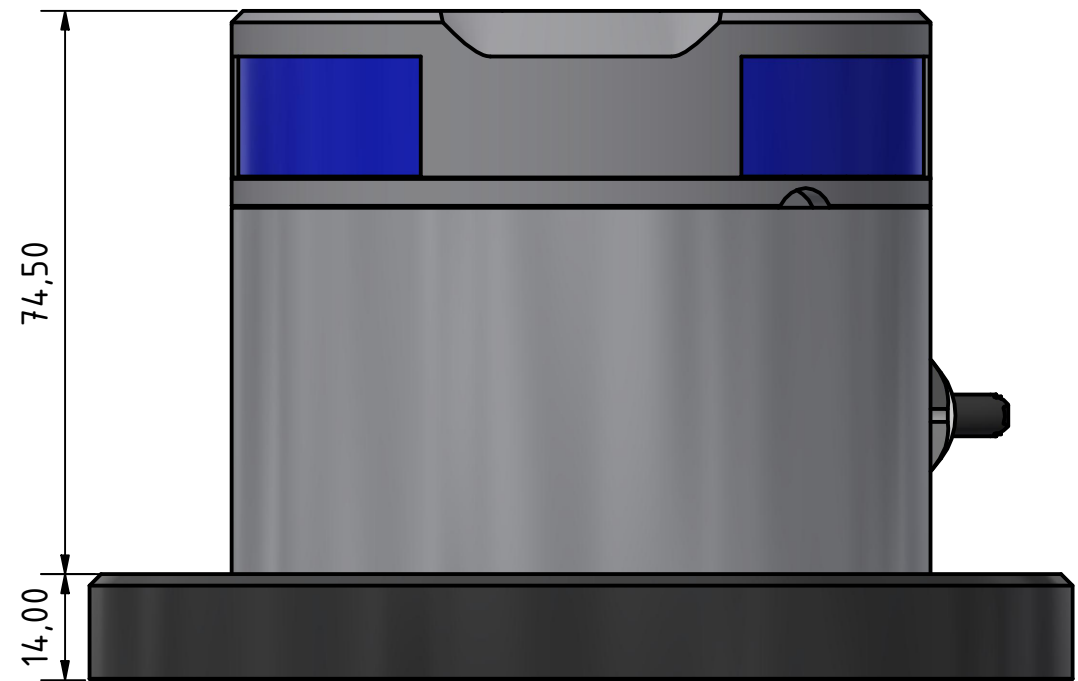
TITLE: 200-022G2 2 NM 360° BLUE LIGHT, on a 400-034 Promount base, 400-404 PE Base, cable down			
DRAWING NO.:	REV. NO.:	SIZE:	DRAWN BY:
200-022G2-DA	1	A3	Thomas
SCALE:	TOLERANCES:	REVIEWED BY:	CREATION DATE:
1 : 1	DS/ISO 2768-f		18-10-2021
MATERIAL DESCRIPTION: Alu. EN6082, Acrylic, PE (20µ) Silver anodized according to EN ISO 7599 (50µ) Black anodized according to MIL-A 8625F			
This Drawing, and the information within, is the property of Lopolight ApS and may not be used in any form without express permission there from. Lopolight reserves the right to change this drawing and assumes no liability for the information communicated herein. Use of dimensions and other information in this drawing is at the users own risk.			

LOPOLIGHT

Lopolight ApS
 Bakkegaardsvej 513
 DK-3050, Humlebaek
 Denmark
www.lopolight.com

Tel:(+45) 32 48 50 30
info@lopolight.com

50MM AT A3



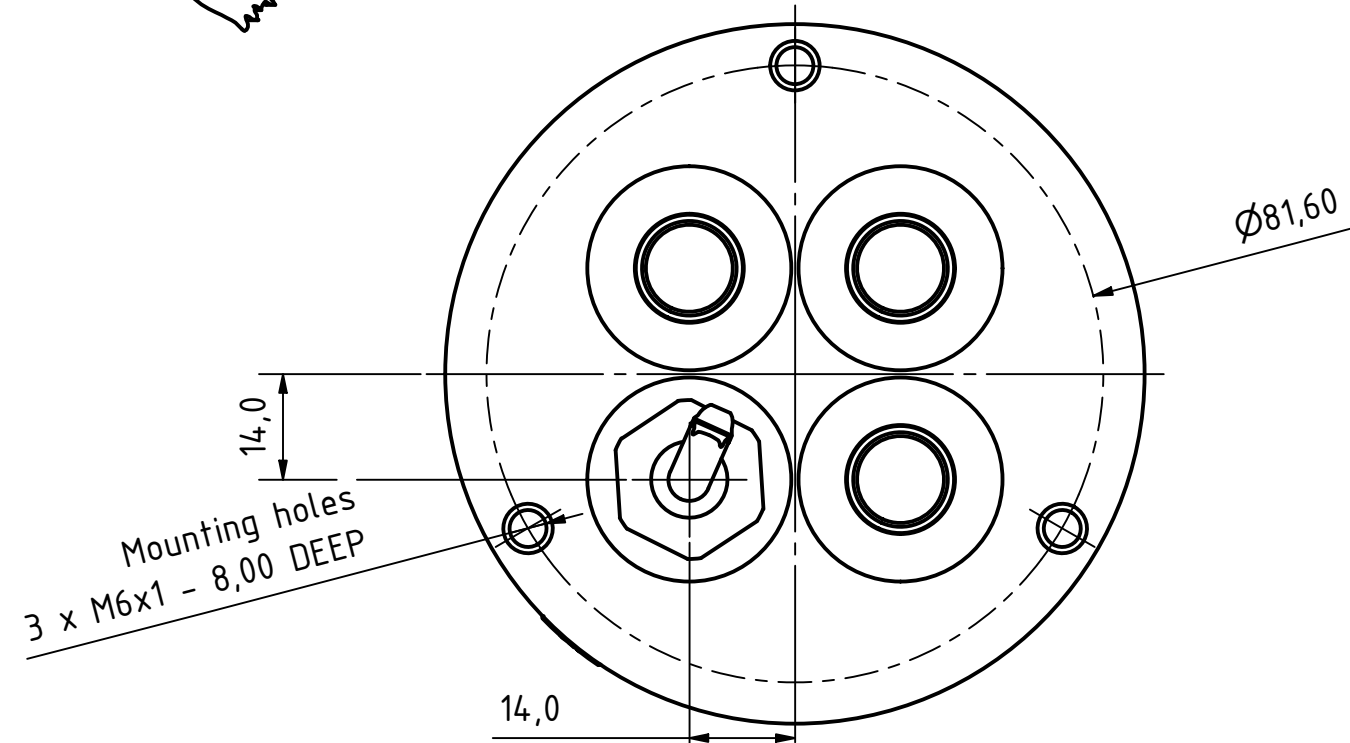
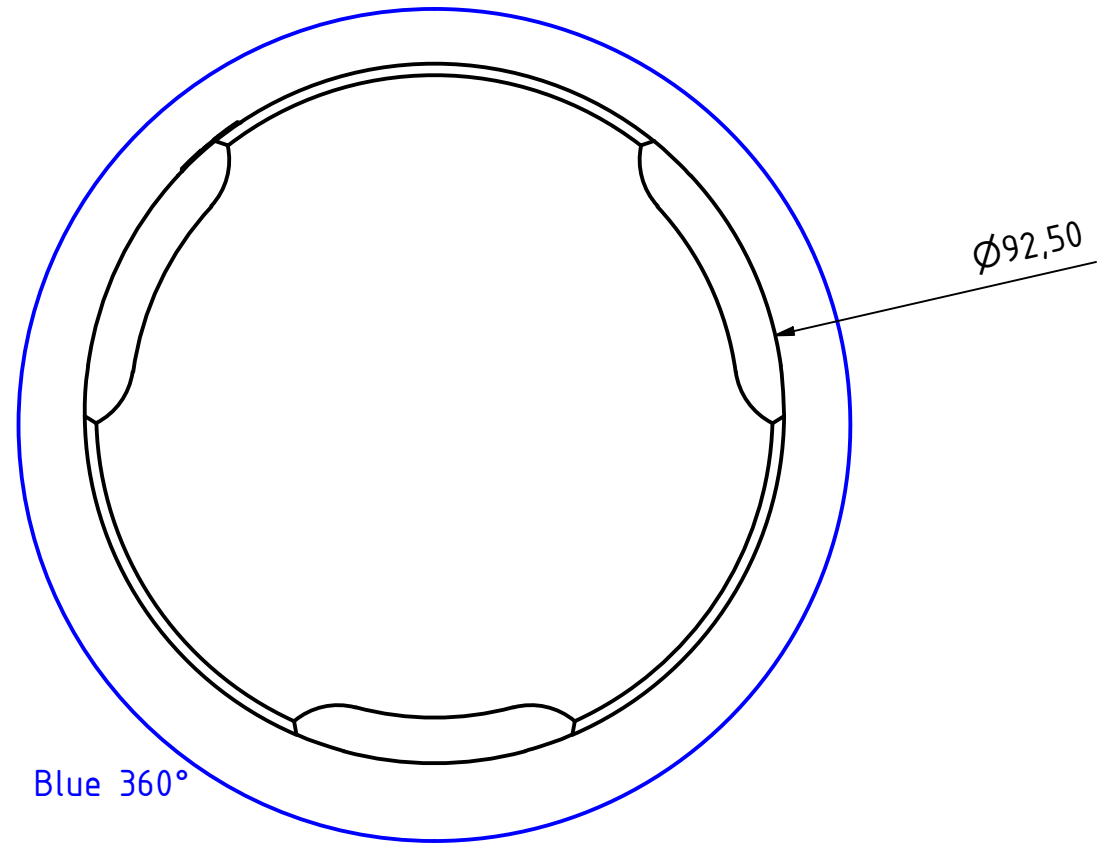
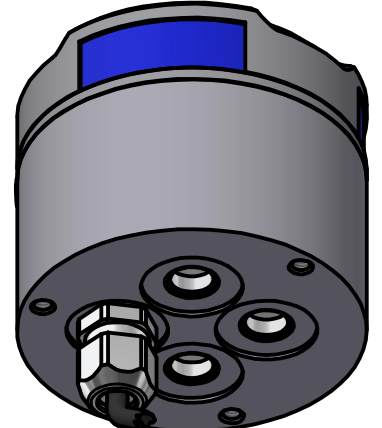
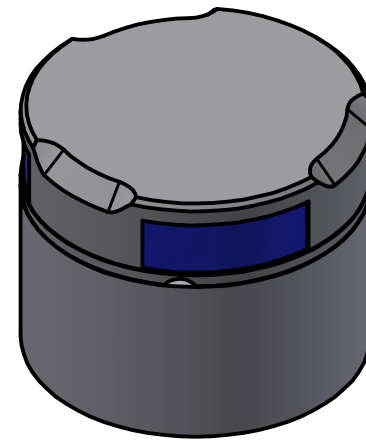
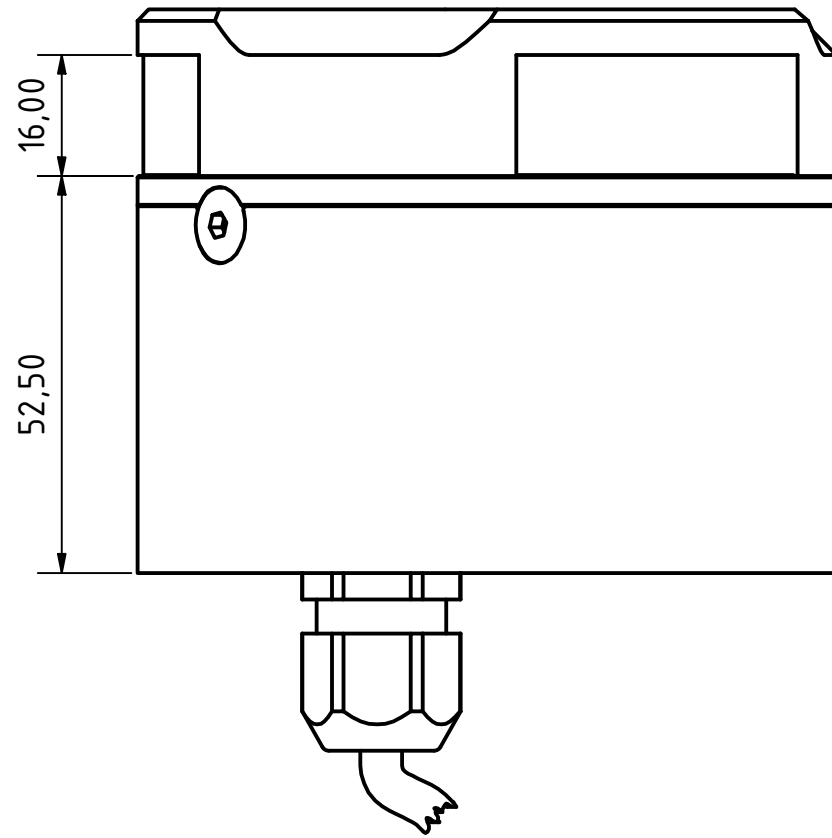
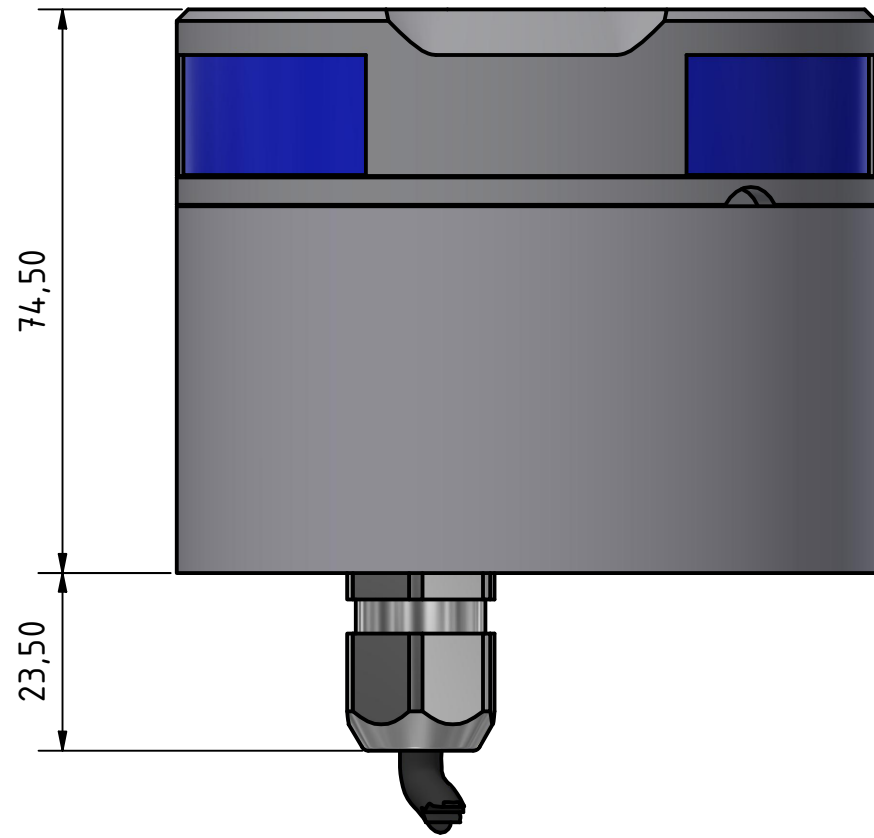
TITLE: 200-022G2 2 NM 360° BLUE LIGHT, on a 400-034 Promount base, 400-404 PE Base, cable side			
DRAWING NO.:	REV. NO.:	SIZE:	DRAWN BY:
200-022G2-EA	1	A3	Thomas
SCALE:	TOLERANCES:	REVIEWED BY:	CREATION DATE:
1 : 1	DS/ISO 2768-f		18-10-2021
MATERIAL DESCRIPTION: Alu. EN6082, Acrylic, PE (20µ) Silver anodized according to EN ISO 7599 (50µ) Black anodized according to MIL-A 8625F			
This Drawing, and the information within, is the property of Lopolight ApS and may not be used in any form without express permission there from. Lopolight reserves the right to change this drawing and assumes no liability for the information communicated herein. Use of dimensions and other information in this drawing is at the users own risk.			

LOPOLIGHT

Lopolight ApS
 Bakkegaardsvej 513
 DK-3050, Humlebaek
 Denmark
www.lopolight.com

Tel:(+45) 32 48 50 30
info@lopolight.com

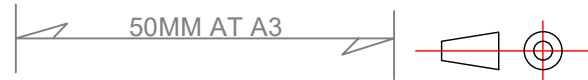




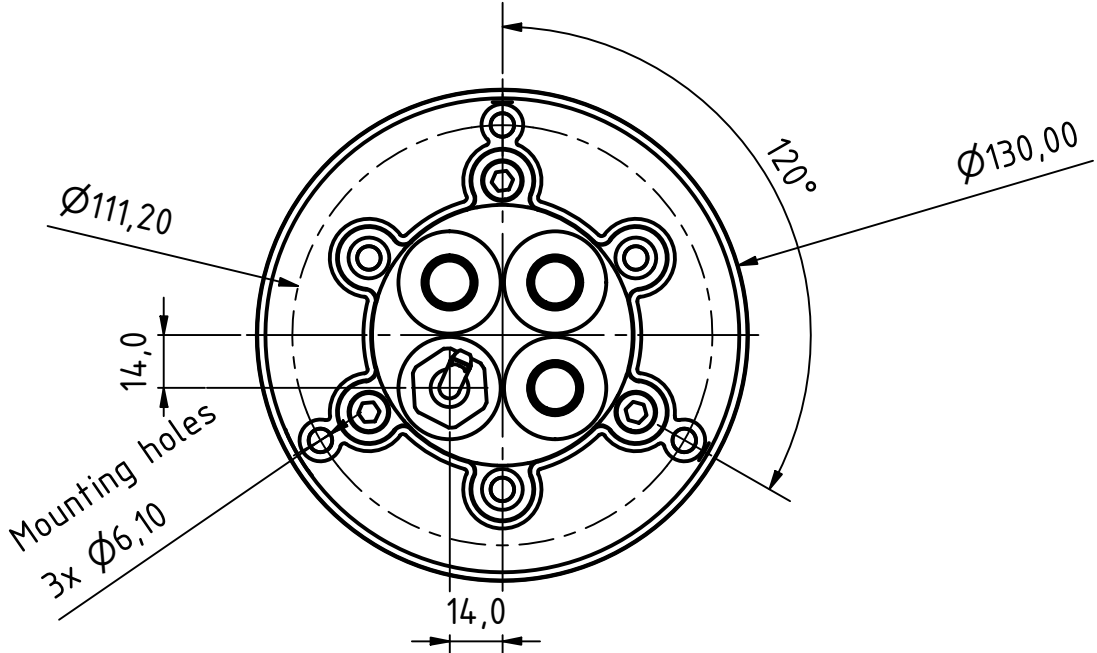
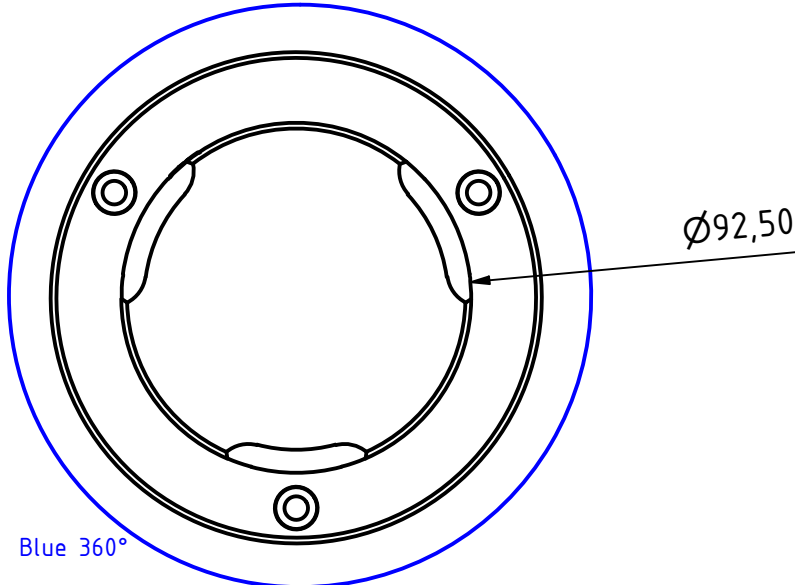
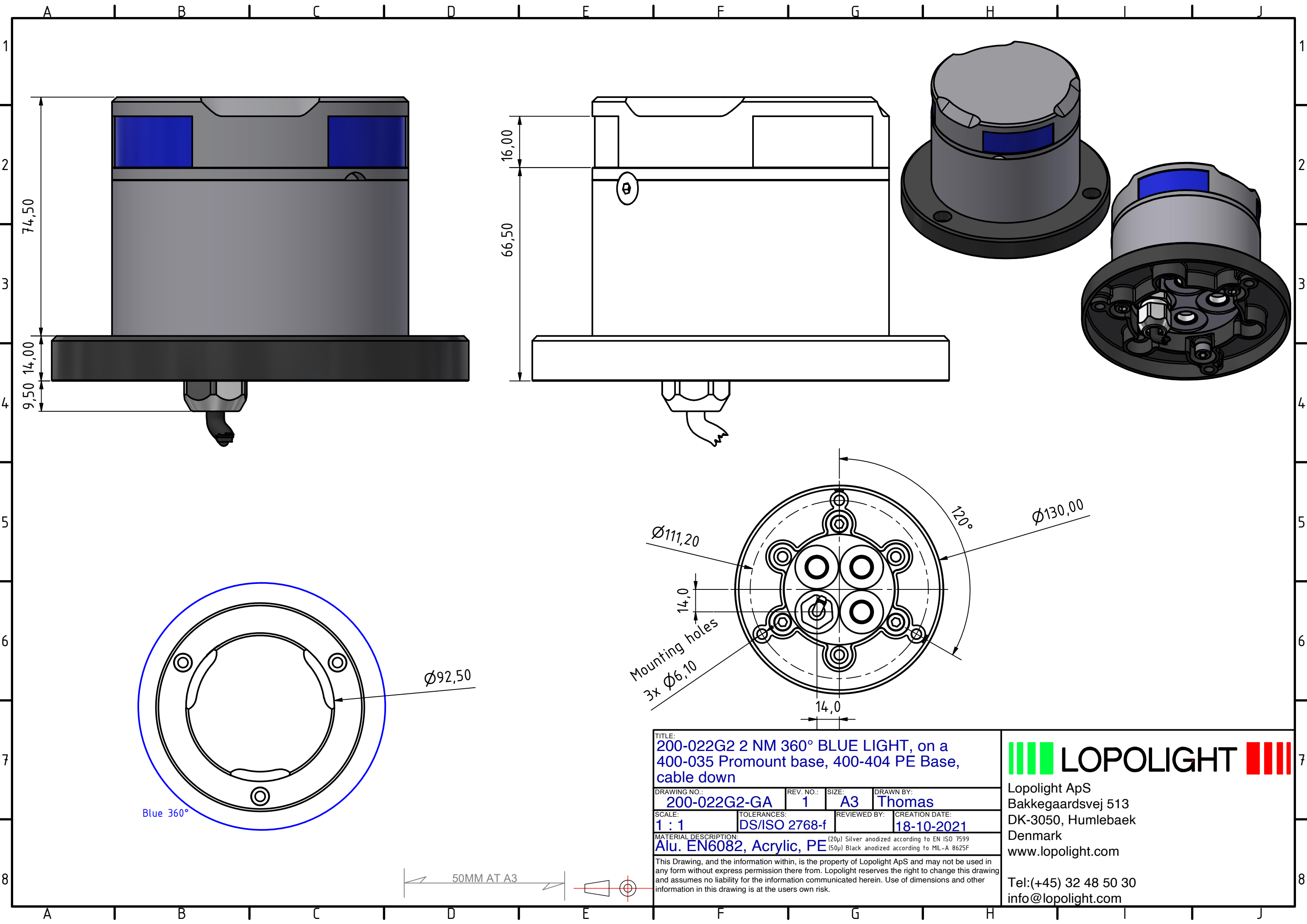
TITLE: 200-022G2 2 NM 360° BLUE LIGHT, on a 400-035 Promount base, cable down			
DRAWING NO.:	REV. NO.:	SIZE:	DRAWN BY:
200-022G2-FA	1	A3	Thomas
SCALE:	TOLERANCES:	REVIEWED BY:	CREATION DATE:
1 : 1	DS/ISO 2768-f		18-10-2021
MATERIAL DESCRIPTION: Alu. EN6082, Acrylic			
<small>(20µ) Silver anodized according to EN ISO 7599 (50µ) Black anodized according to MIL-A 8625F</small>			

LOPOLIGHT

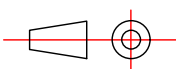
Lopolight ApS
 Bakkegaardsvej 513
 DK-3050, Humlebaek
 Denmark
www.lopolight.com
 Tel:(+45) 32 48 50 30
info@lopolight.com



This Drawing, and the information within, is the property of Lopolight ApS and may not be used in any form without express permission there from. Lopolight reserves the right to change this drawing and assumes no liability for the information communicated herein. Use of dimensions and other information in this drawing is at the users own risk.



50MM AT A3



TITLE: 200-022G2 2 NM 360° BLUE LIGHT, on a 400-035 Promount base, 400-404 PE Base, cable down			
DRAWING NO.:	REV. NO.:	SIZE:	DRAWN BY:
200-022G2-GA	1	A3	Thomas
SCALE:	TOLERANCES:	REVIEWED BY:	CREATION DATE:
1 : 1	DS/ISO 2768-f		18-10-2021
MATERIAL DESCRIPTION: Alu. EN6082, Acrylic, PE (20µ) Silver anodized according to EN ISO 7599 (50µ) Black anodized according to MIL-A 8625F			

This Drawing, and the information within, is the property of Lopolight ApS and may not be used in any form without express permission there from. Lopolight reserves the right to change this drawing and assumes no liability for the information communicated herein. Use of dimensions and other information in this drawing is at the users own risk.

LOPOLIGHT

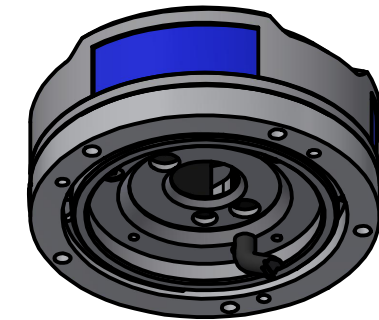
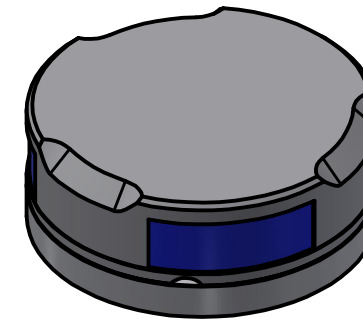
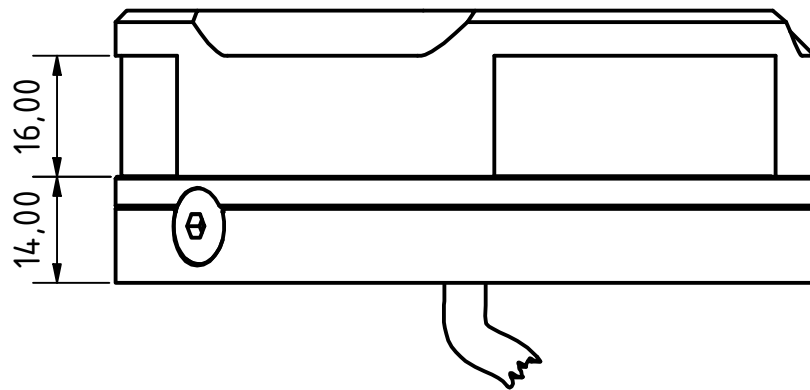
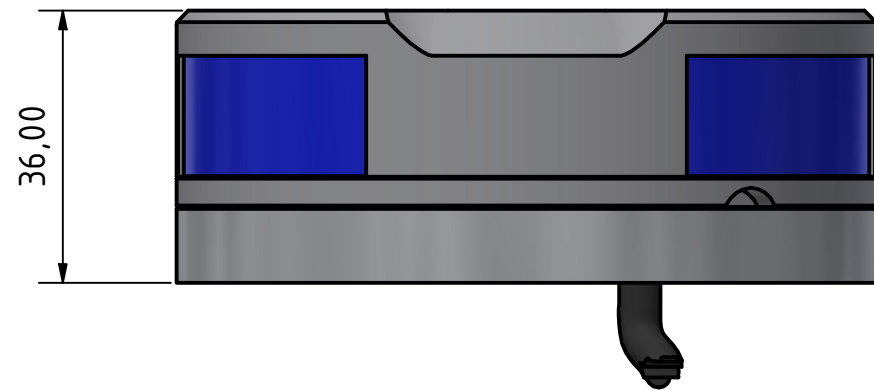
Lopolight ApS
Bakkegaardsvej 513
DK-3050, Humlebaek
Denmark
www.lopolight.com

Tel:(+45) 32 48 50 30
info@lopolight.com

A B C D E F G H J

1

1



2

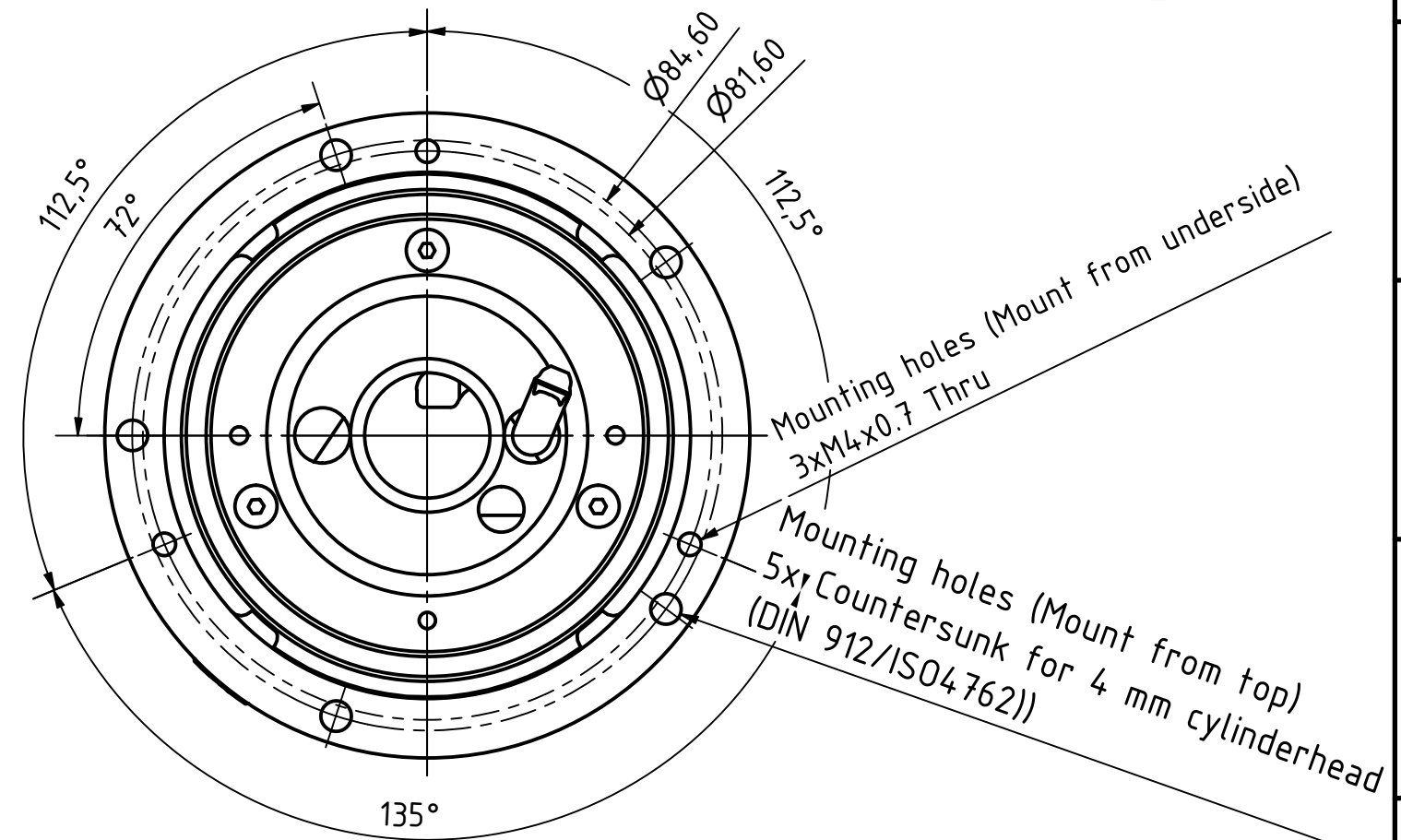
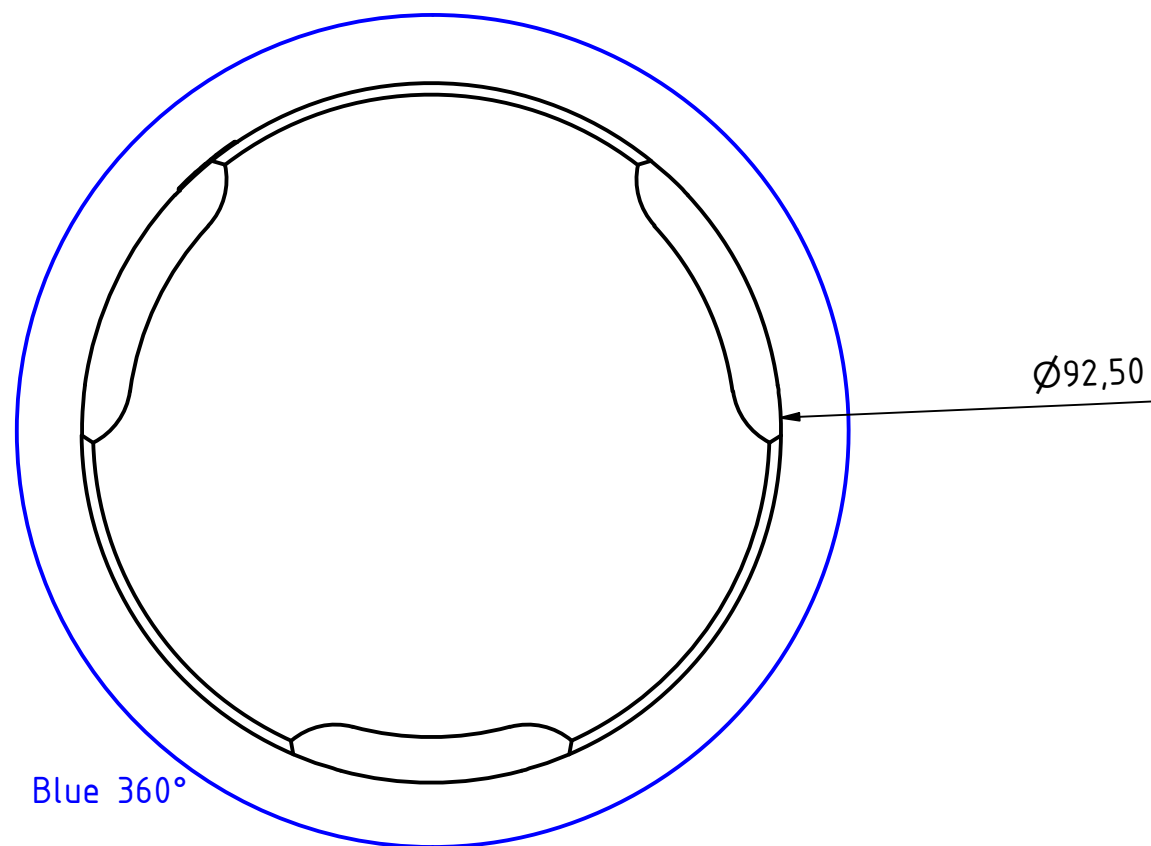
2

3

3

4

4



5

5

6

6

7

7

TITLE: 200-022G2 2 NM 360° BLUE LIGHT, on a 400-036 Ultra low profile base			
DRAWING NO.:	REV. NO.:	SIZE:	DRAWN BY:
200-022G2-HA	1	A3	Thomas
SCALE:	TOLERANCES:	REVIEWED BY:	CREATION DATE:
1 : 1	DS/ISO 2768-f		18-10-2021
MATERIAL DESCRIPTION:		(20µ) Silver anodized according to EN ISO 7599 (50µ) Black anodized according to MIL-A 8625F	
Alu. EN6082, Acrylic			

LOPOLIGHT

Lopolight ApS
 Bakkegaardsvej 513
 DK-3050, Humlebaek
 Denmark
www.lopolight.com

Tel:(+45) 32 48 50 30
info@lopolight.com



This Drawing, and the information within, is the property of Lopolight ApS and may not be used in any form without express permission there from. Lopolight reserves the right to change this drawing and assumes no liability for the information communicated herein. Use of dimensions and other information in this drawing is at the users own risk.

A B C D E F G H J

8

8