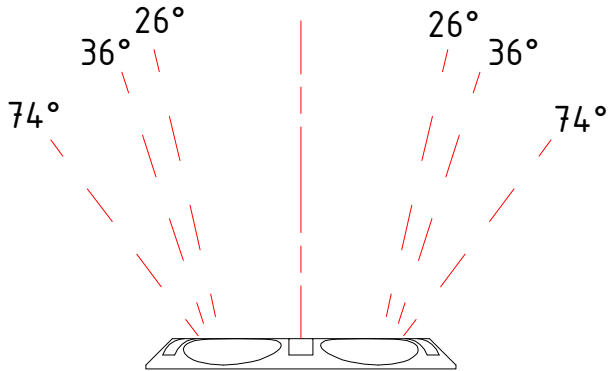


These lights can be accommodated with either a 26° a 36° or a 74° light beam.



Light beam configurations

Rev1 15/01/2019 Addition of Light beam configurations detail

<b>400-080-036 Spreader Light</b>			
DRAWING NO.: <b>400-080AC</b>	REV. NO.: <b>1</b>	SIZE: <b>A3</b>	DRAWN BY: <b>Sergio</b>
SCALE: <b>1:1</b>	TOLERANCES: <b>DS/ISO 2768-f</b>	REVIEWED BY:	
MATERIAL DESCRIPTION: <b>Aluminium &amp; Acrylic</b>			

This Drawing, and the information within, is the property of Lopolight ApS and may not be used in any form without express permission there from. Lopolight reserves the right to change this drawing and assumes no liability for the information communicated herein. Use of dimensions and other information in this drawing is at the users own risk.



Lopolight ApS  
 Bakkegaardsvej 513  
 DK-3050, Humlebaek  
 Denmark  
[www.lopolight.com](http://www.lopolight.com)

Tel: (+45) 32 48 50 30 Fax: (+45) 32 48 50 32  
[info@lopolight.com](mailto:info@lopolight.com)

50MM AT A3