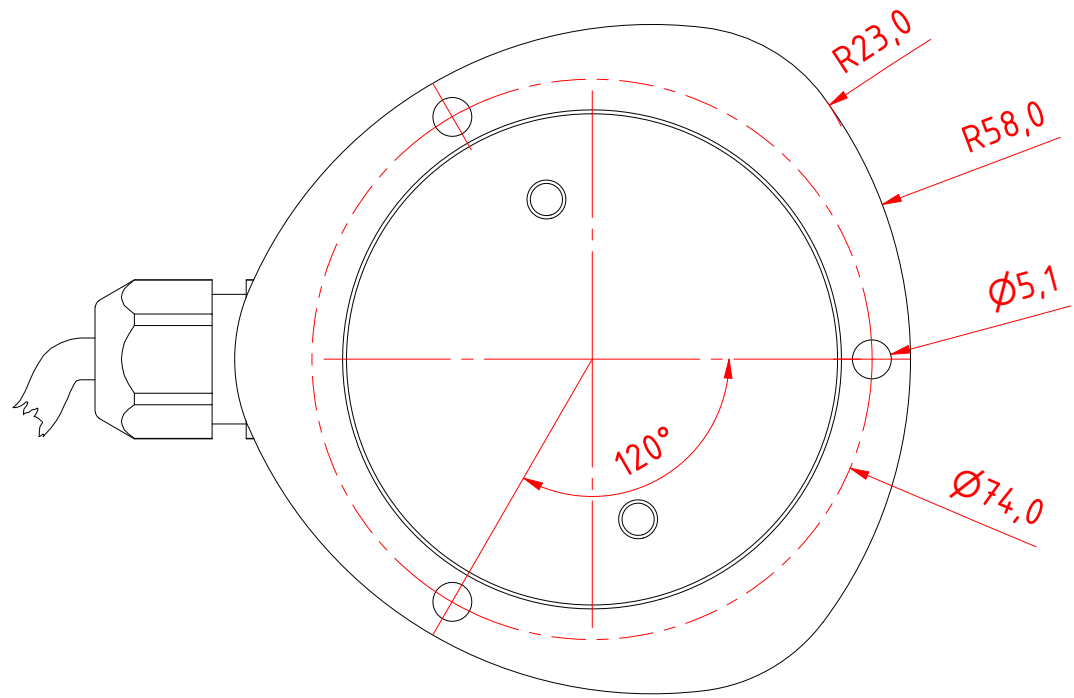
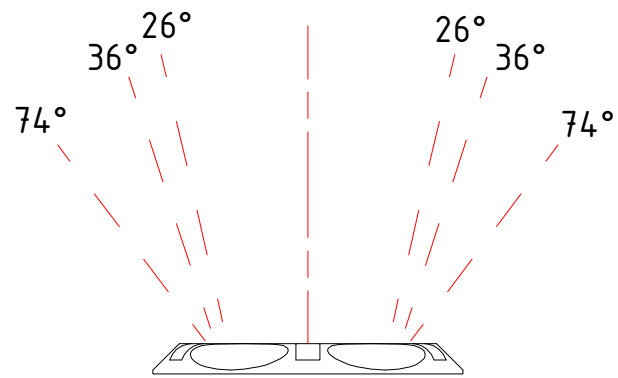


A B C D E F G H I J

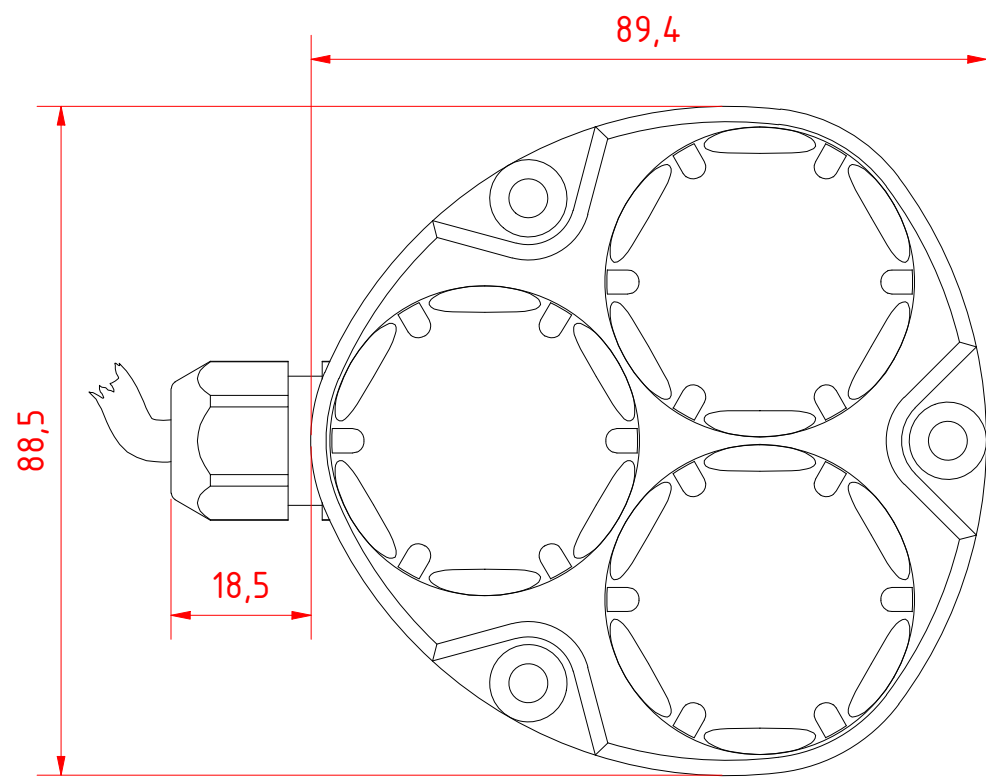
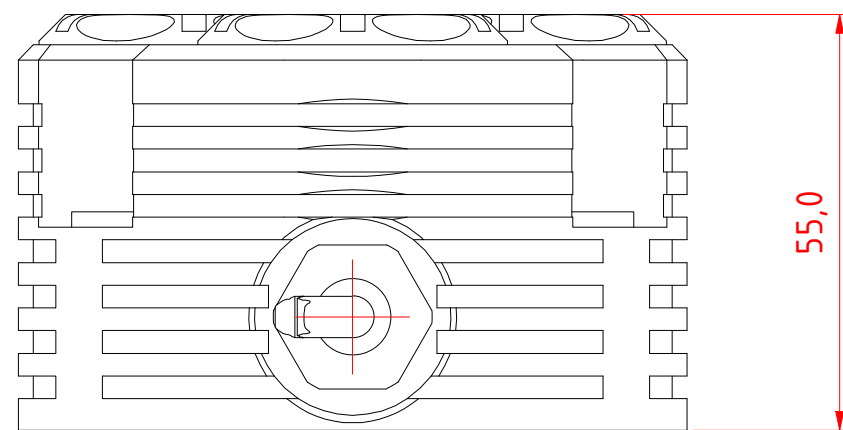
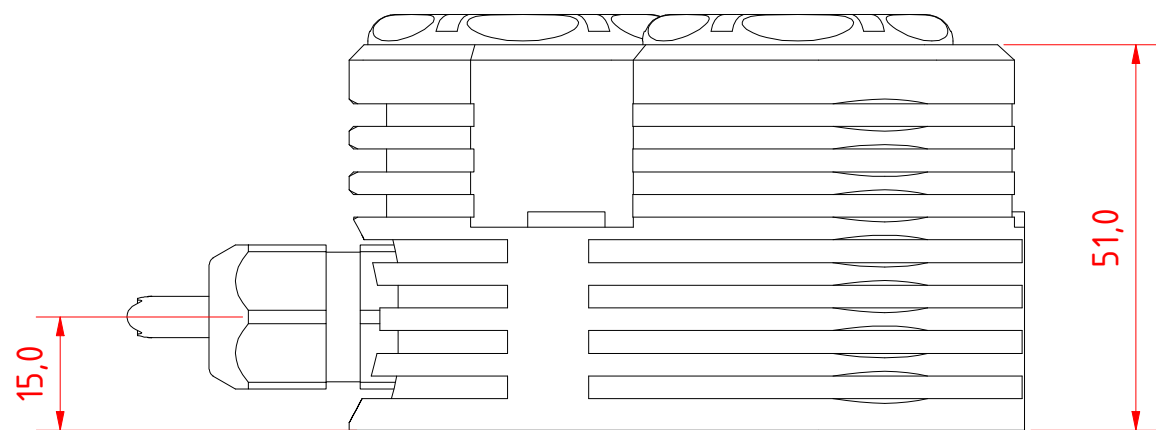
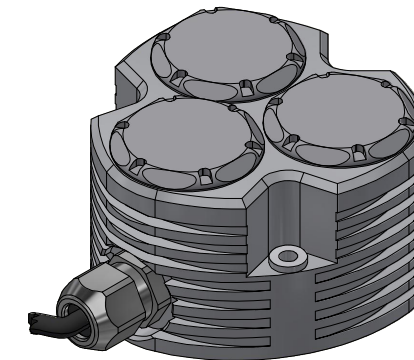
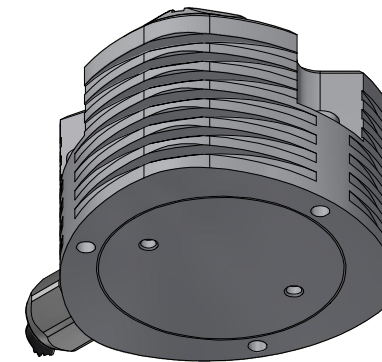
1
2
3
4
5
6
7
8



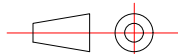
These lights can be accommodated with either a 26° a 36° or a 74° light beam.



Light beam configurations



50MM AT A3



400-080-026 Spreader Light

DRAWING NO.: 400-080AB REV. NO.: 0 SIZE: A3 DRAWN BY: Sergio

SCALE: 1:1 TOLERANCES: DS/ISO 2768-f REVIEWED BY:

MATERIAL DESCRIPTION: Aluminium & Acrylic

This Drawing, and the information within, is the property of Lopolight ApS and may not be used in any form without express permission there from. Lopolight reserves the right to change this drawing and assumes no liability for the information communicated herein. Use of dimensions and other information in this drawing is at the users own risk.



Lopolight ApS www.lopolight.com
Bakkegaardsvej 513
DK-3050, Humlebaek
Denmark

Tel:(+45) 32 48 50 30 Fax:(+45) 32 48 50 32
info@lopolight.com

A B C D E F G H I J