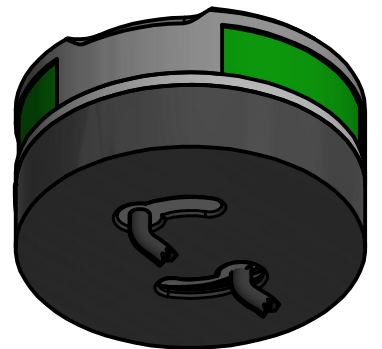
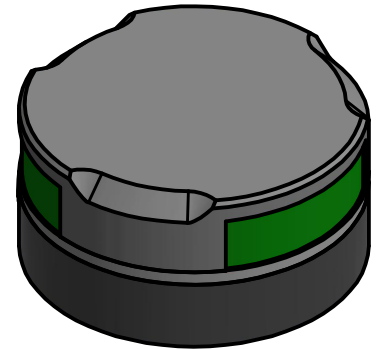
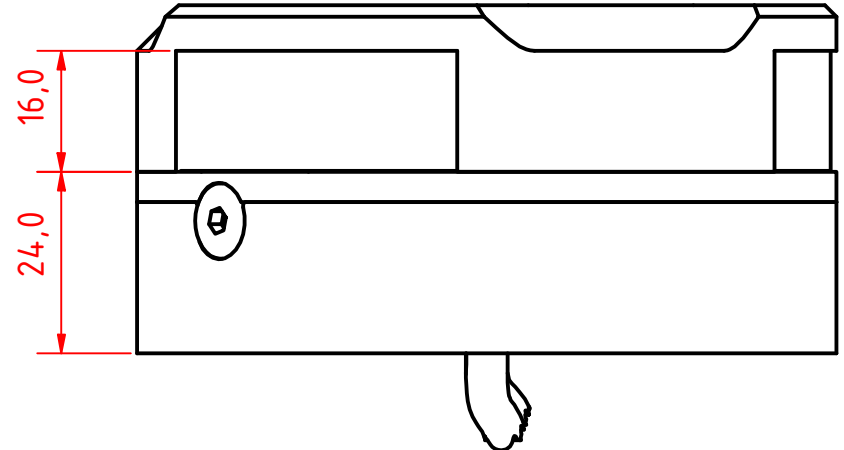
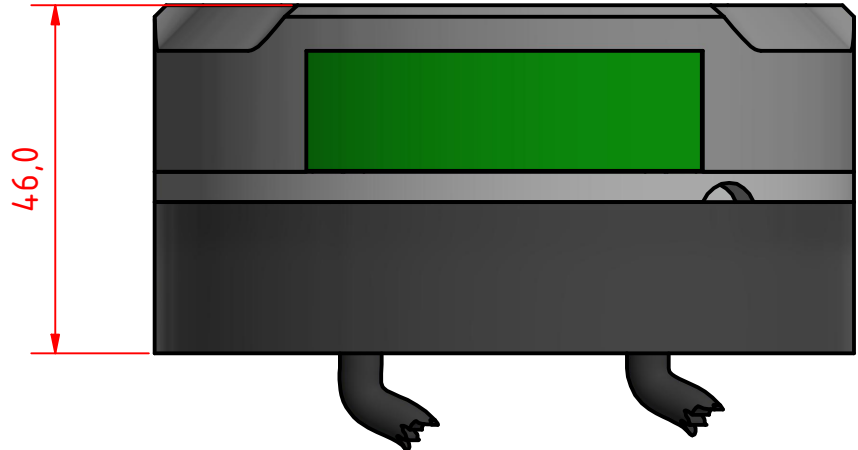
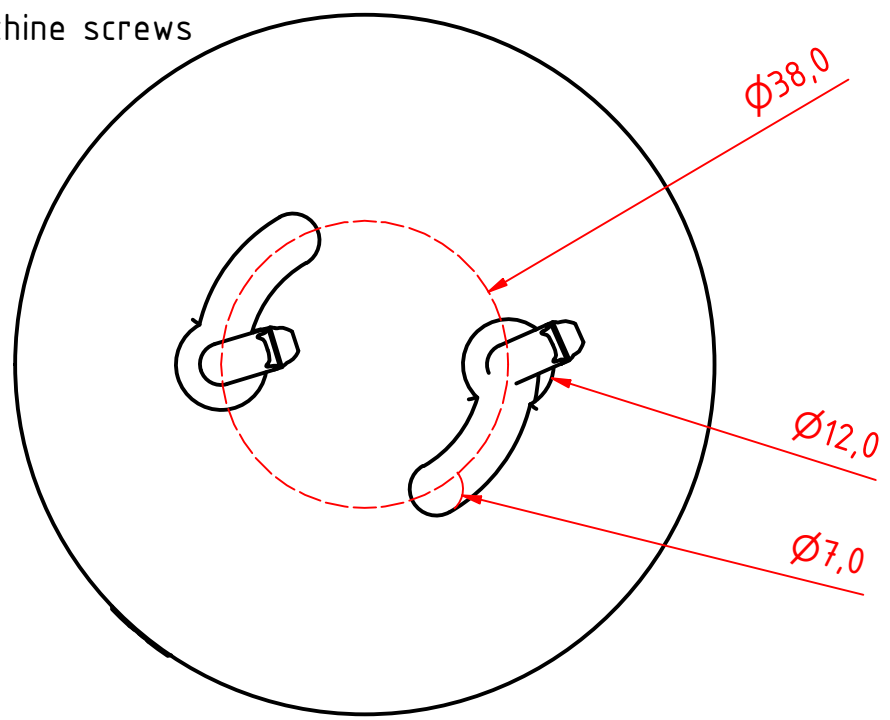
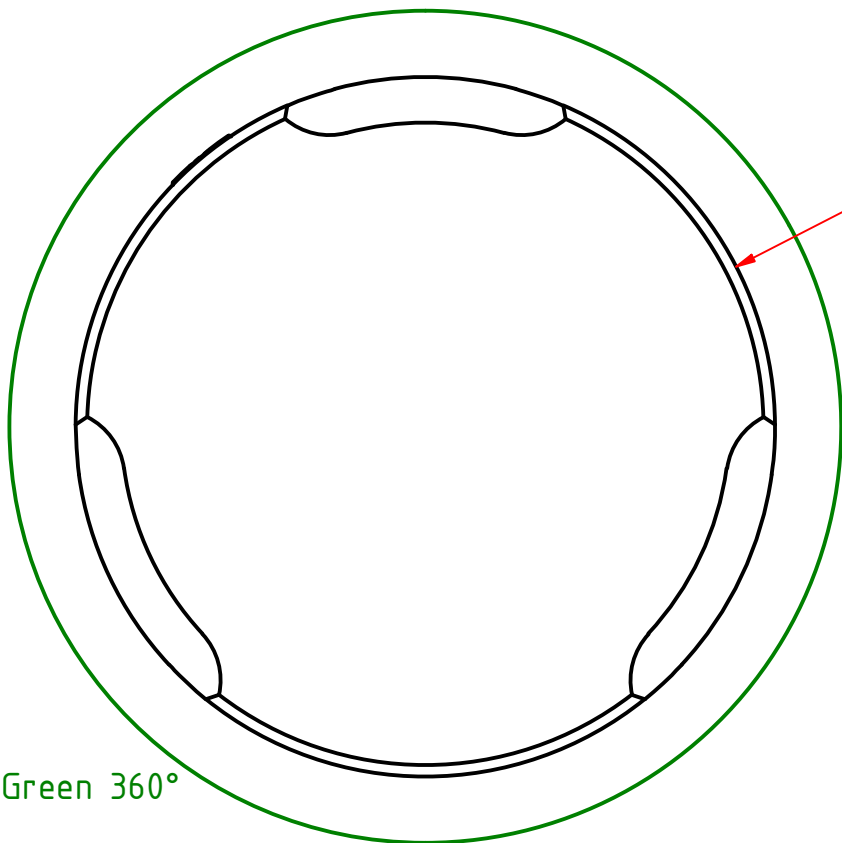


A B C D E F G H I J

1 2 3 4 5 6 7 8



**Note:**  
 The PE Plastic base is intended for fitting on site and can be either drilled for mounting screws from above or drilled and tapped from below. 6mm machine screws with nuts and washers are recommended for secure mounting.



Green 360°



200-015G2, 360° Green on a 400-038 PE std base

DRAWING NO.:	REV. NO.:	SIZE:	DRAWN BY:
200-015G2-AA	0	A3	Thomas
SCALE:	TOLERANCES:	REVIEWED BY:	CREATION DATE:
1 : 1	DS/ISO 2768-f		25-05-2021

MATERIAL DESCRIPTION:  
 (20µ) Silver anodized according to EN ISO 7599  
 (50µ) Black anodized according to MIL-A 8625F

This Drawing, and the information within, is the property of Lopolight ApS and may not be used in any form without express permission there from. Lopolight reserves the right to change this drawing and assumes no liability for the information communicated herein. Use of dimensions and other information in this drawing is at the users own risk.

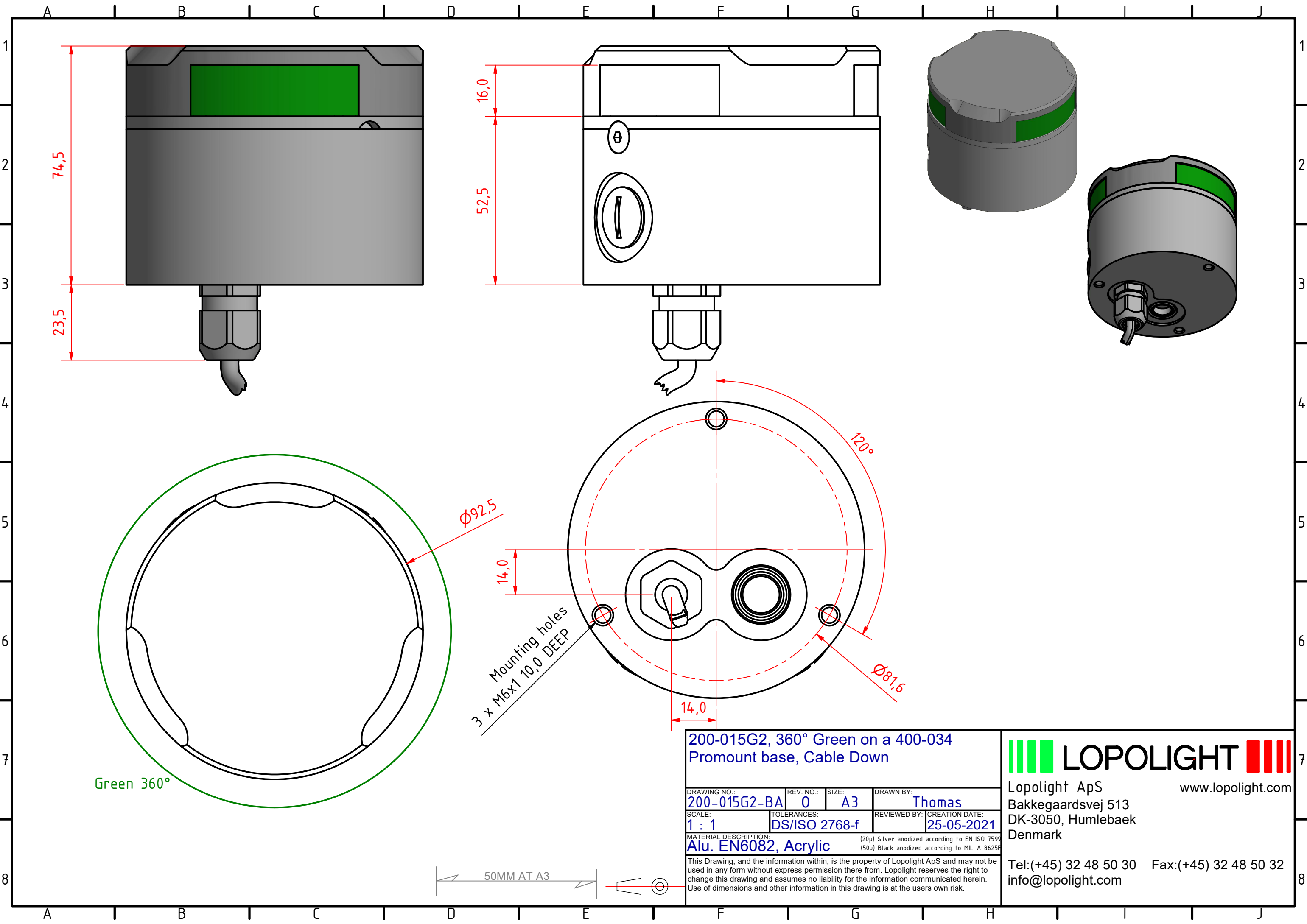


Lopolight ApS  
 Bakkegaardsvej 513  
 DK-3050, Humlebaek  
 Denmark

Tel:(+45) 32 48 50 30 Fax:(+45) 32 48 50 32  
 info@lopolight.com

A B C D E F G H I J

8



200-015G2, 360° Green on a 400-034  
Promount base, Cable Down

DRAWING NO.:	REV. NO.:	SIZE:	DRAWN BY:
200-015G2-BA	0	A3	Thomas
SCALE:	TOLERANCES:	REVIEWED BY:	CREATION DATE:
1 : 1	DS/ISO 2768-f		25-05-2021

MATERIAL DESCRIPTION:  
Alu. EN6082, Acrylic (20µ) Silver anodized according to EN ISO 7599  
(50µ) Black anodized according to MIL-A 8625F

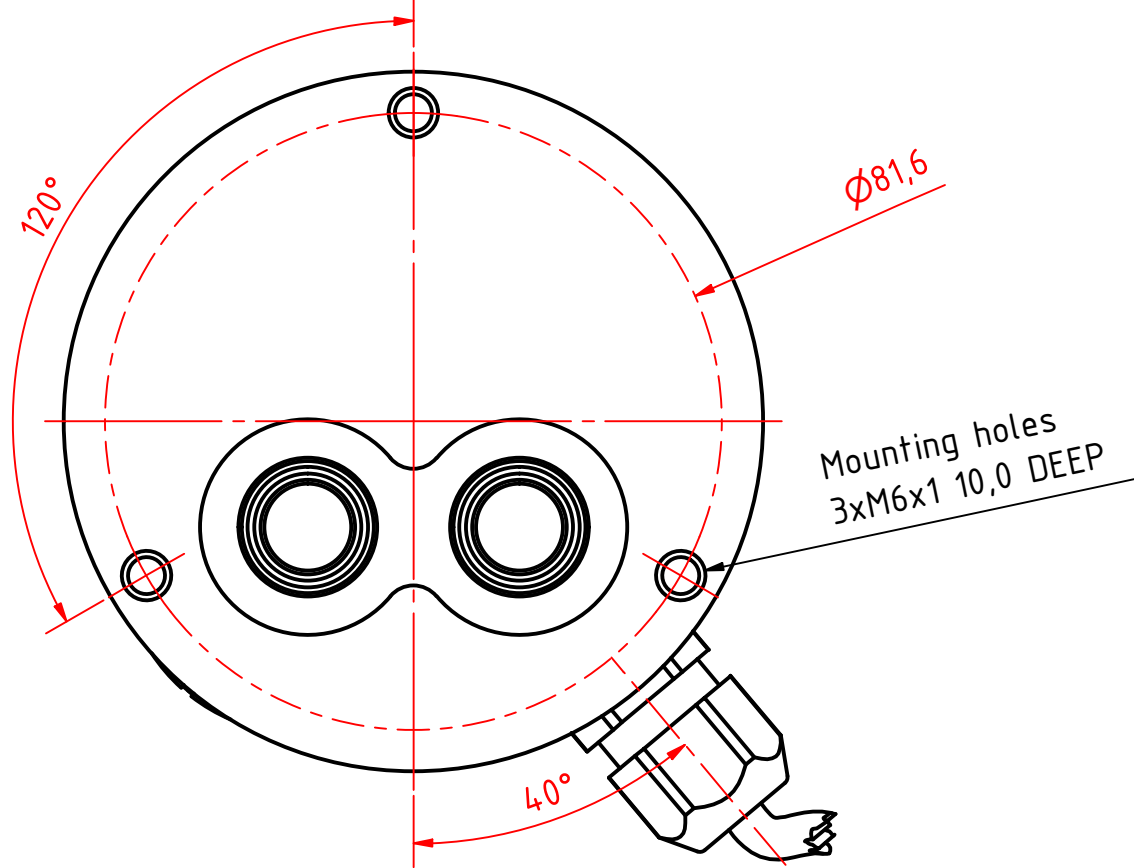
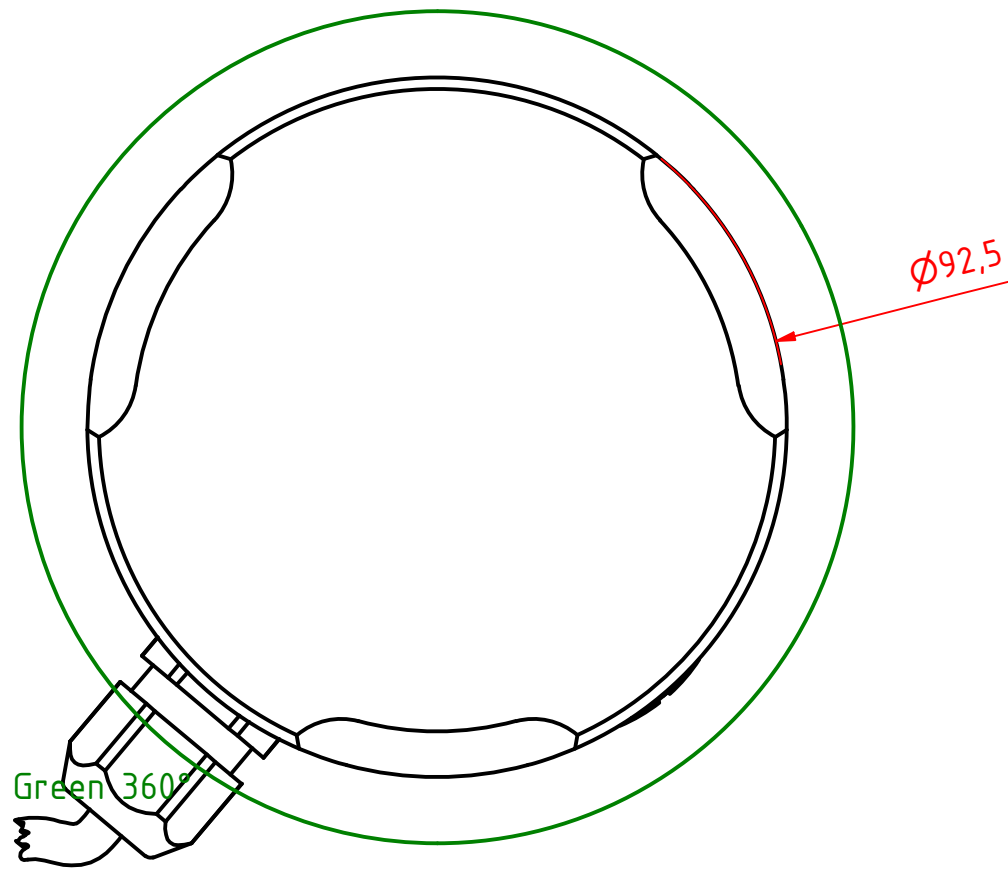
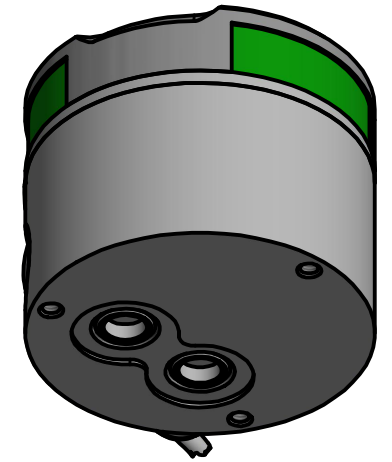
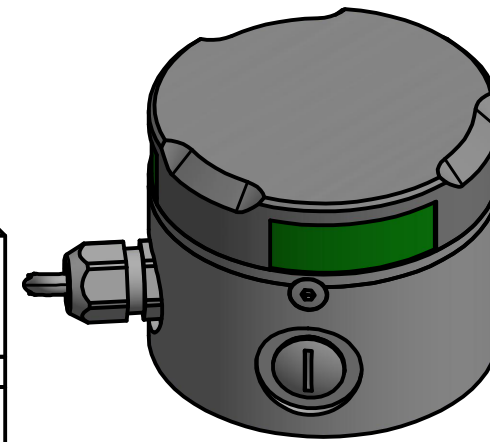
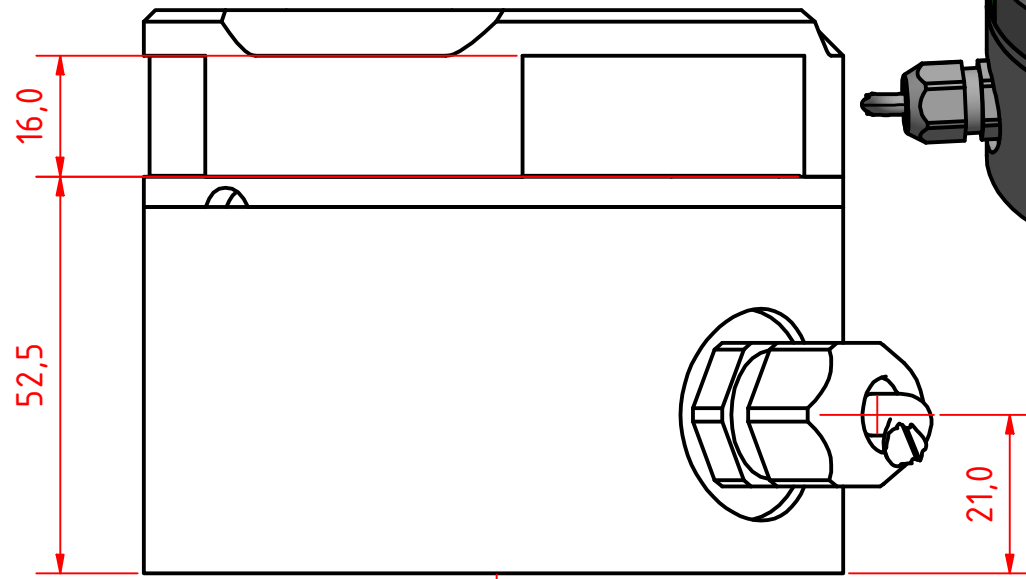
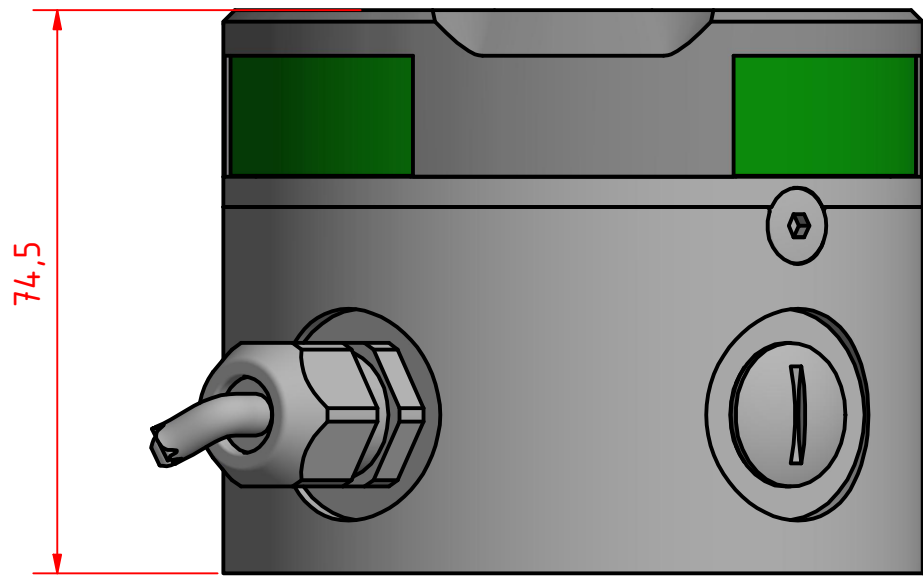
This Drawing, and the information within, is the property of Lopolight ApS and may not be used in any form without express permission there from. Lopolight reserves the right to change this drawing and assumes no liability for the information communicated herein. Use of dimensions and other information in this drawing is at the users own risk.



Lopolight ApS  
Bakkegaardsvej 513  
DK-3050, Humlebaek  
Denmark

Tel: (+45) 32 48 50 30 Fax: (+45) 32 48 50 32  
info@lopolight.com www.lopolight.com





200-015G2, 360° Green on a 400-034  
Promount base, Cable Side

DRAWING NO.:	REV. NO.:	SIZE:	DRAWN BY:
200-015G2-CA	0	A3	Thomas
SCALE:	TOLERANCES:	REVIEWED BY:	CREATION DATE:
1 : 1	DS/ISO 2768-f		25-05-2021

MATERIAL DESCRIPTION:  
Alu. EN6082, Acrylic (20µ) Silver anodized according to EN ISO 7599  
(50µ) Black anodized according to MIL-A 8625F

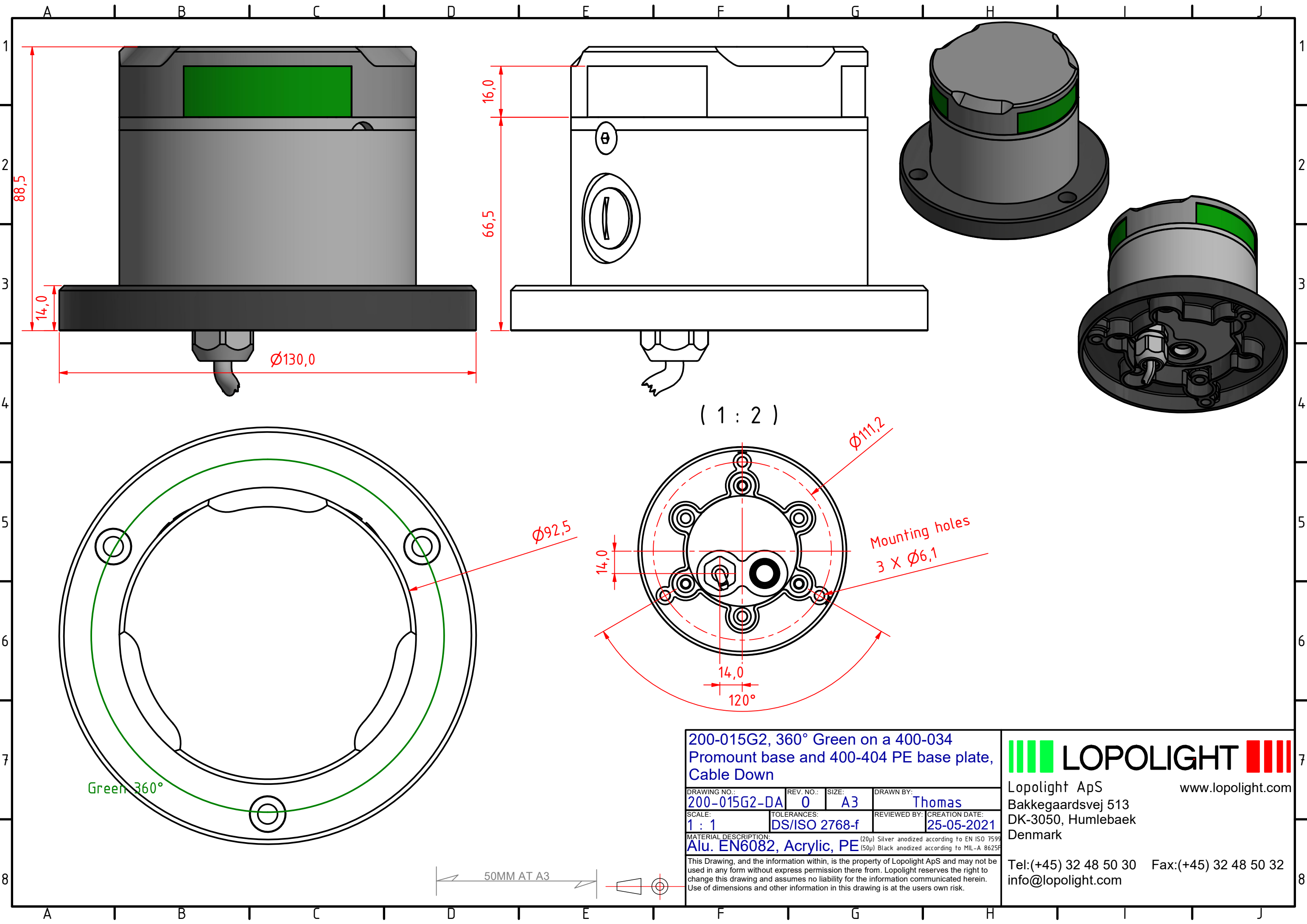
This Drawing, and the information within, is the property of Lopolight ApS and may not be used in any form without express permission there from. Lopolight reserves the right to change this drawing and assumes no liability for the information communicated herein. Use of dimensions and other information in this drawing is at the users own risk.



Lopolight ApS  
Bakkegaardsvej 513  
DK-3050, Humlebaek  
Denmark

Tel:(+45) 32 48 50 30 Fax:(+45) 32 48 50 32  
info@lopolight.com

50MM AT A3



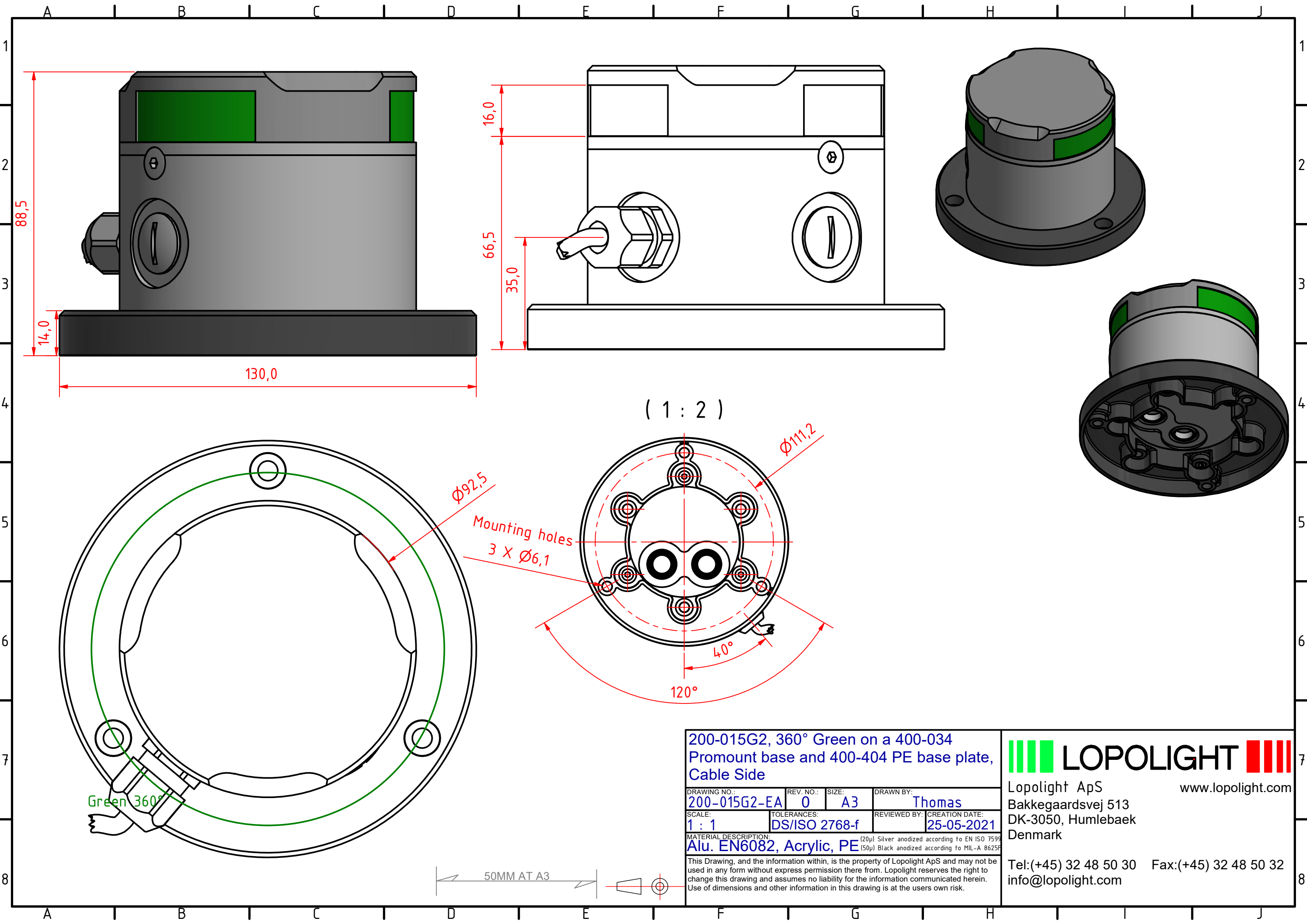
200-015G2, 360° Green on a 400-034  
 Promount base and 400-404 PE base plate,  
 Cable Down

DRAWING NO.:	REV. NO.:	SIZE:	DRAWN BY:
200-015G2-DA	0	A3	Thomas
SCALE:	TOLERANCES:	REVIEWED BY:	CREATION DATE:
1 : 1	DS/ISO 2768-f		25-05-2021

MATERIAL DESCRIPTION:  
 Alu. EN6082, Acrylic, PE (20µ) Silver anodized according to EN ISO 7599  
 (50µ) Black anodized according to MIL-A 8625F

This Drawing, and the information within, is the property of Lopolight ApS and may not be used in any form without express permission there from. Lopolight reserves the right to change this drawing and assumes no liability for the information communicated herein. Use of dimensions and other information in this drawing is at the users own risk.

**LOPOLIGHT**  
 Lopolight ApS  
 Bakkegaardsvej 513  
 DK-3050, Humlebaek  
 Denmark  
 Tel:(+45) 32 48 50 30 Fax:(+45) 32 48 50 32  
 info@lopolight.com  
 www.lopolight.com



88,5

16,0

66,5

35,0

130,0

14,0

( 1 : 2 )

Ø111,2

Ø92,5

Mounting holes  
3 X Ø6,1

40°

120°

Green 360°

50MM AT A3

200-015G2, 360° Green on a 400-034  
Promount base and 400-404 PE base plate,  
Cable Side

DRAWING NO.:	REV. NO.:	SIZE:	DRAWN BY:
200-015G2-EA	0	A3	Thomas

SCALE:	TOLERANCES:	REVIEWED BY:	CREATION DATE:
1 : 1	DS/ISO 2768-f		25-05-2021

MATERIAL DESCRIPTION:  
Alu. EN6082, Acrylic, PE (20µ) Silver anodized according to EN ISO 7599  
(50µ) Black anodized according to MIL-A 8625F

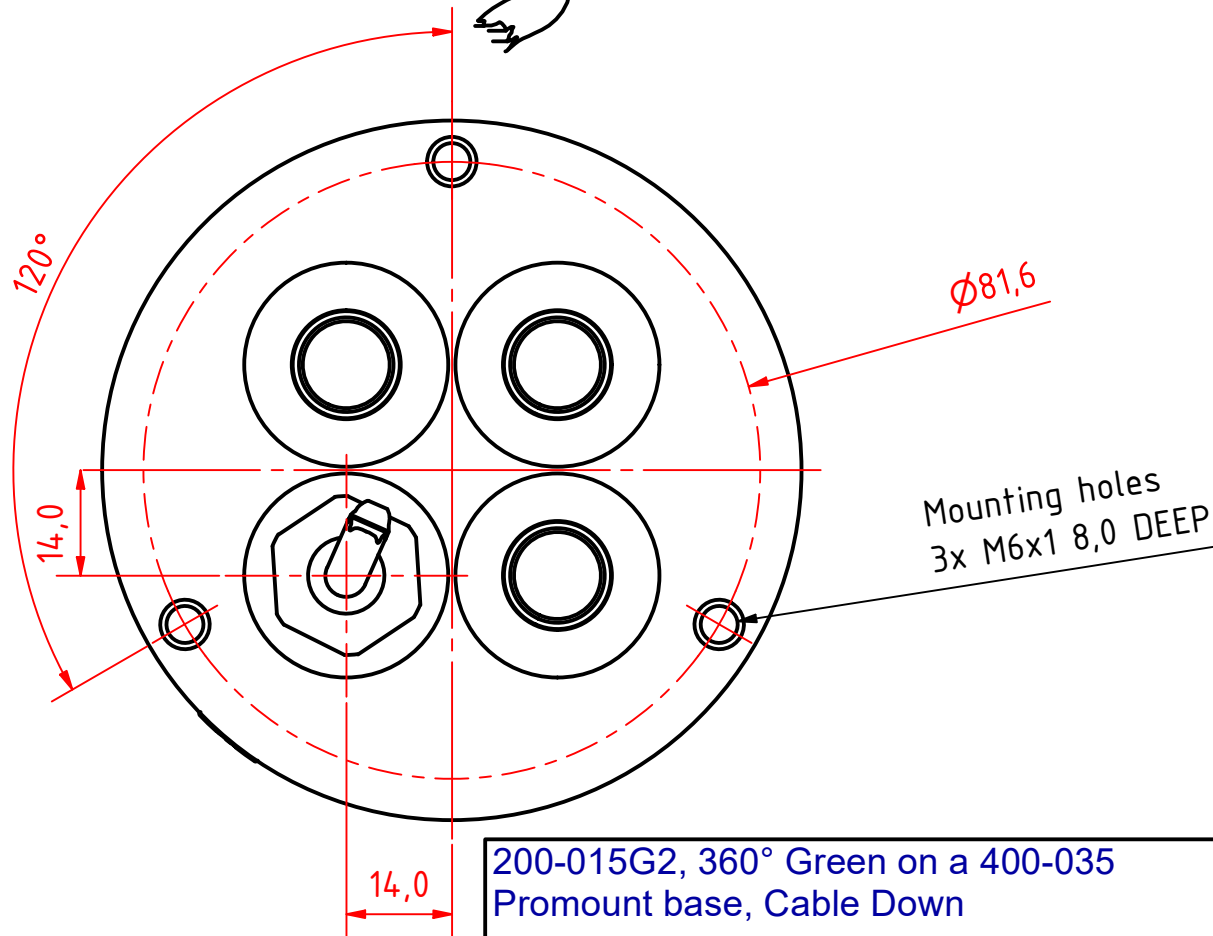
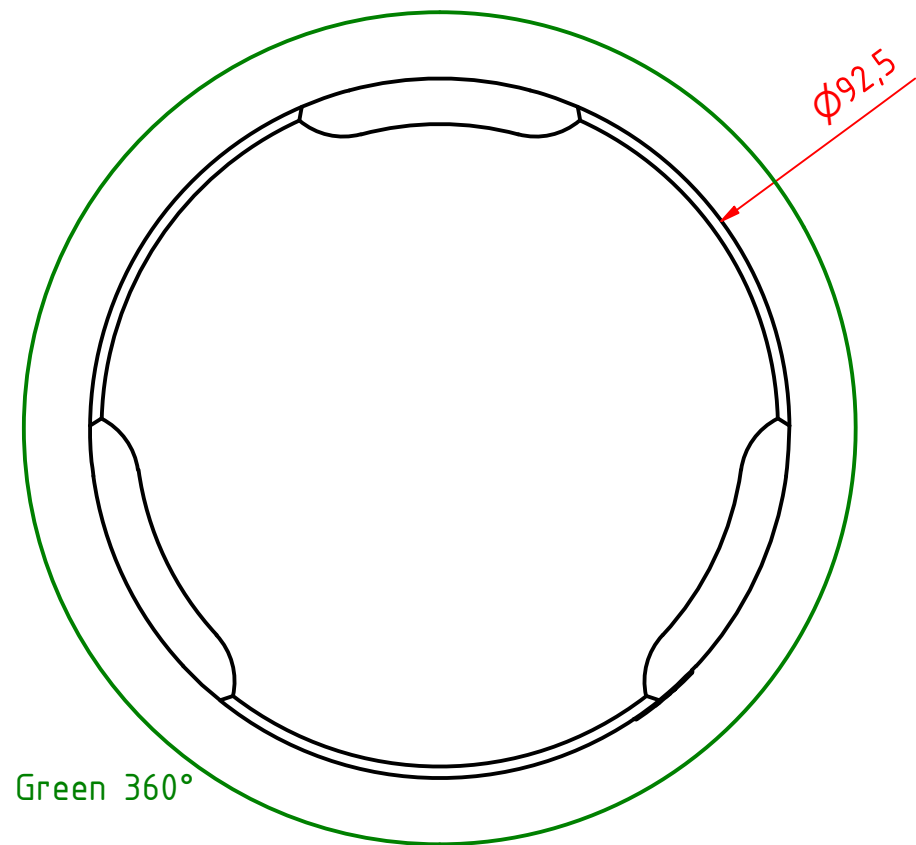
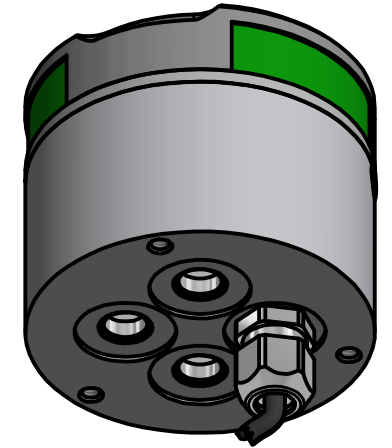
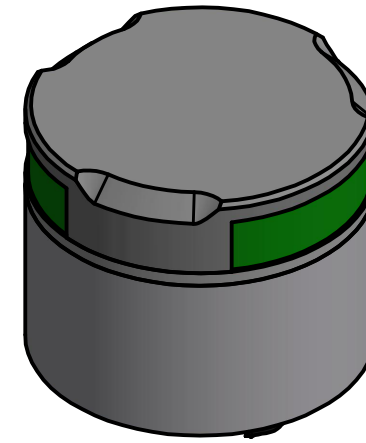
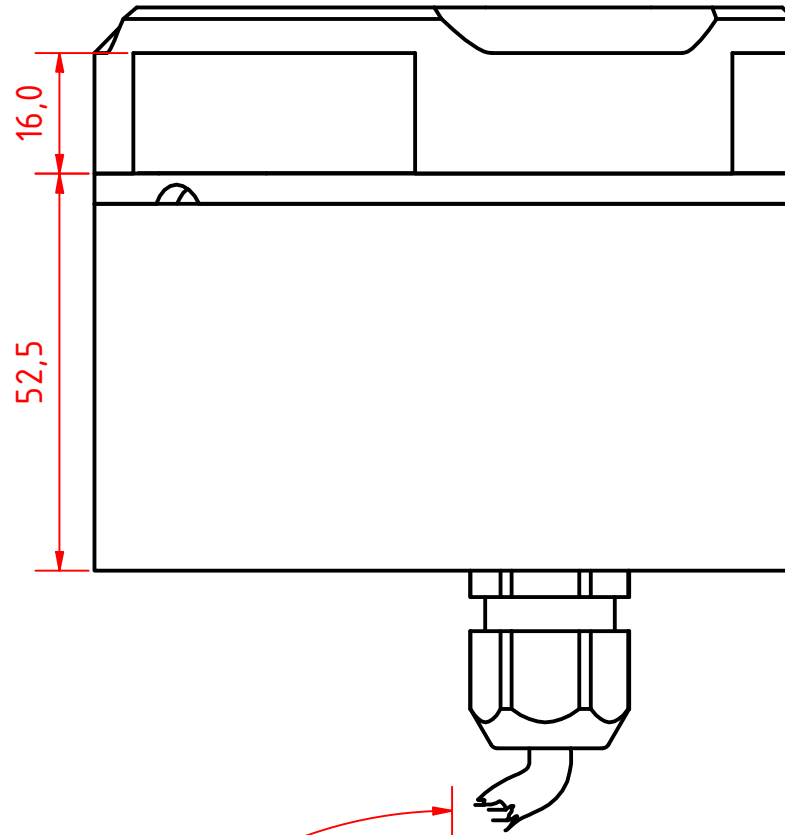
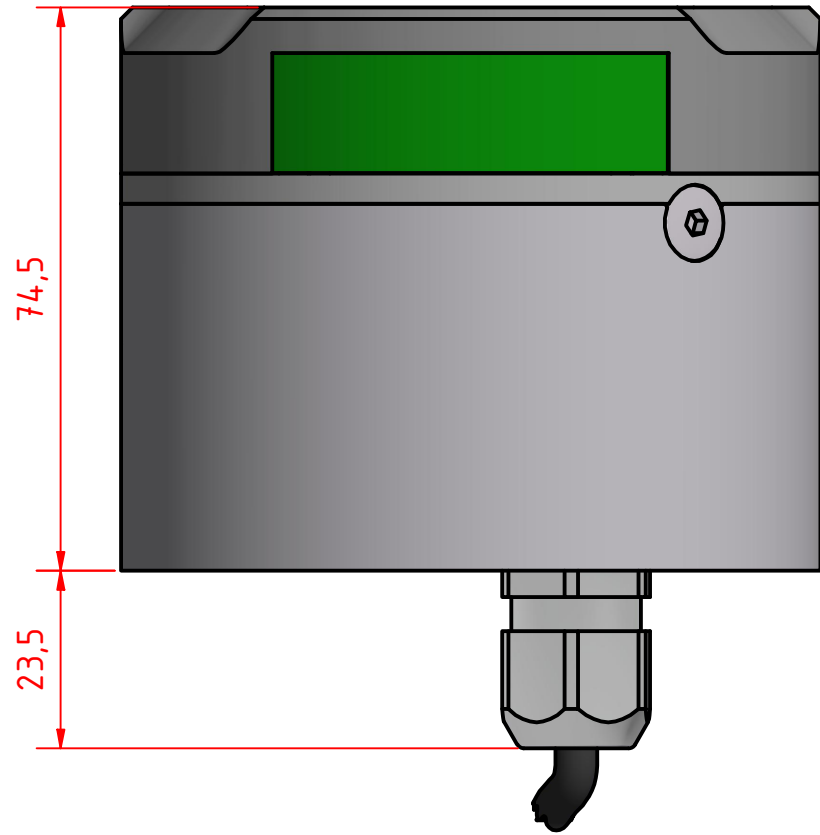
This Drawing, and the information within, is the property of Lopolight ApS and may not be used in any form without express permission there from. Lopolight reserves the right to change this drawing and assumes no liability for the information communicated herein. Use of dimensions and other information in this drawing is at the users own risk.

**LOPOLIGHT**

Lopolight ApS  
Bakkegaardsvej 513  
DK-3050, Humlebaek  
Denmark

www.lopolight.com

Tel:(+45) 32 48 50 30 Fax:(+45) 32 48 50 32  
info@lopolight.com



200-015G2, 360° Green on a 400-035  
Promount base, Cable Down

DRAWING NO.:	REV. NO.:	SIZE:	DRAWN BY:
200-015G2-FA	0	A3	Thomas

SCALE:	TOLERANCES:	REVIEWED BY:	CREATION DATE:
1 : 1	DS/ISO 2768-f		25-05-2021

MATERIAL DESCRIPTION:  
Alu. EN6082, Acrylic (20µ) Silver anodized according to EN ISO 7599  
(50µ) Black anodized according to MIL-A 8625F

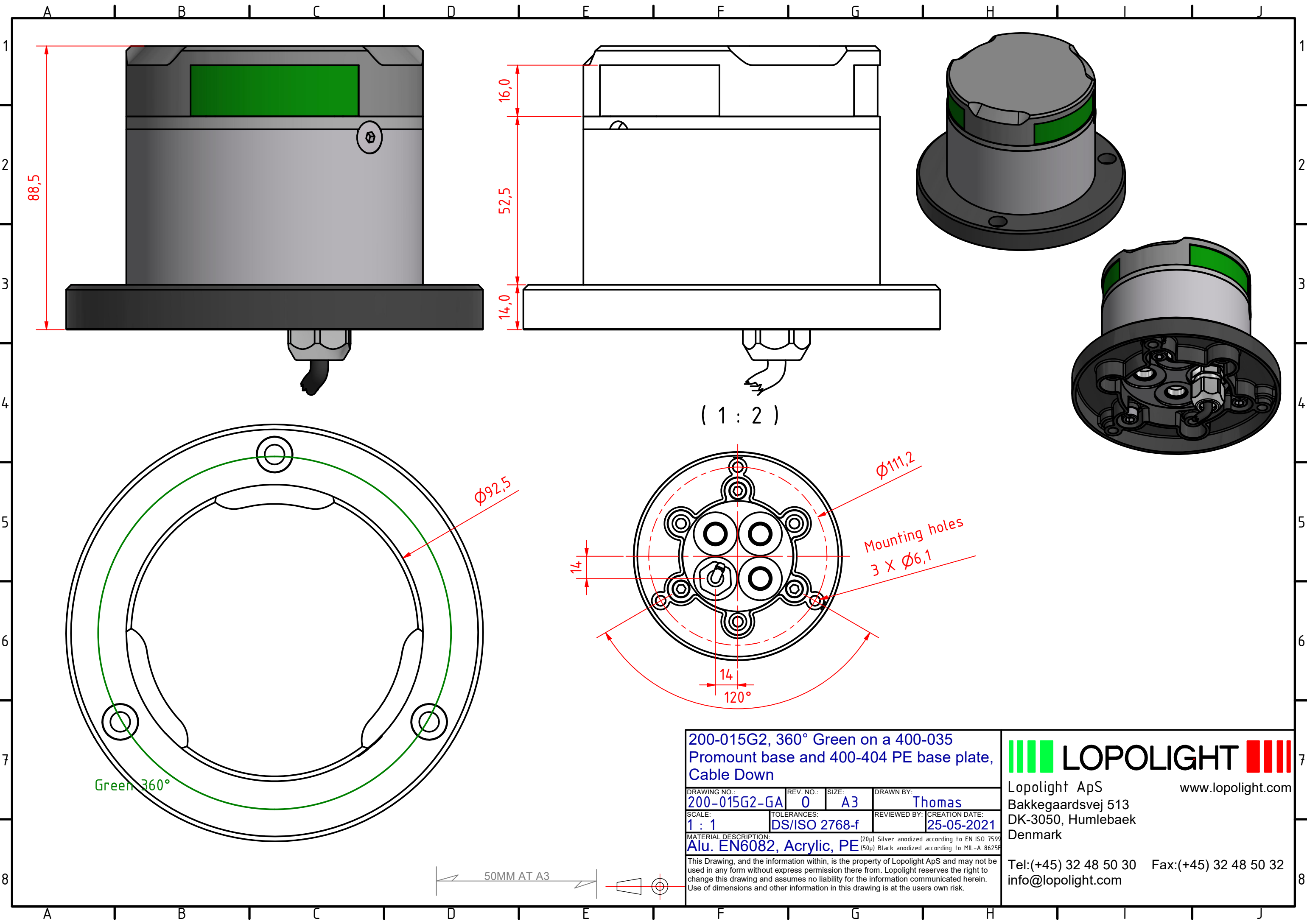
This Drawing, and the information within, is the property of Lopolight ApS and may not be used in any form without express permission there from. Lopolight reserves the right to change this drawing and assumes no liability for the information communicated herein. Use of dimensions and other information in this drawing is at the users own risk.



Lopolight ApS  
Bakkegaardsvej 513  
DK-3050, Humlebaek  
Denmark  
www.lopolight.com

Tel:(+45) 32 48 50 30 Fax:(+45) 32 48 50 32  
info@lopolight.com





200-015G2, 360° Green on a 400-035 Promount base and 400-404 PE base plate, Cable Down

DRAWING NO.: 200-015G2-GA	REV. NO.: 0	SIZE: A3	DRAWN BY: Thomas
SCALE: 1 : 1	TOLERANCES: DS/ISO 2768-f	REVIEWED BY:	CREATION DATE: 25-05-2021

MATERIAL DESCRIPTION:  
Alu. EN6082, Acrylic, PE (20µ) Silver anodized according to EN ISO 7599 (50µ) Black anodized according to MIL-A 8625F

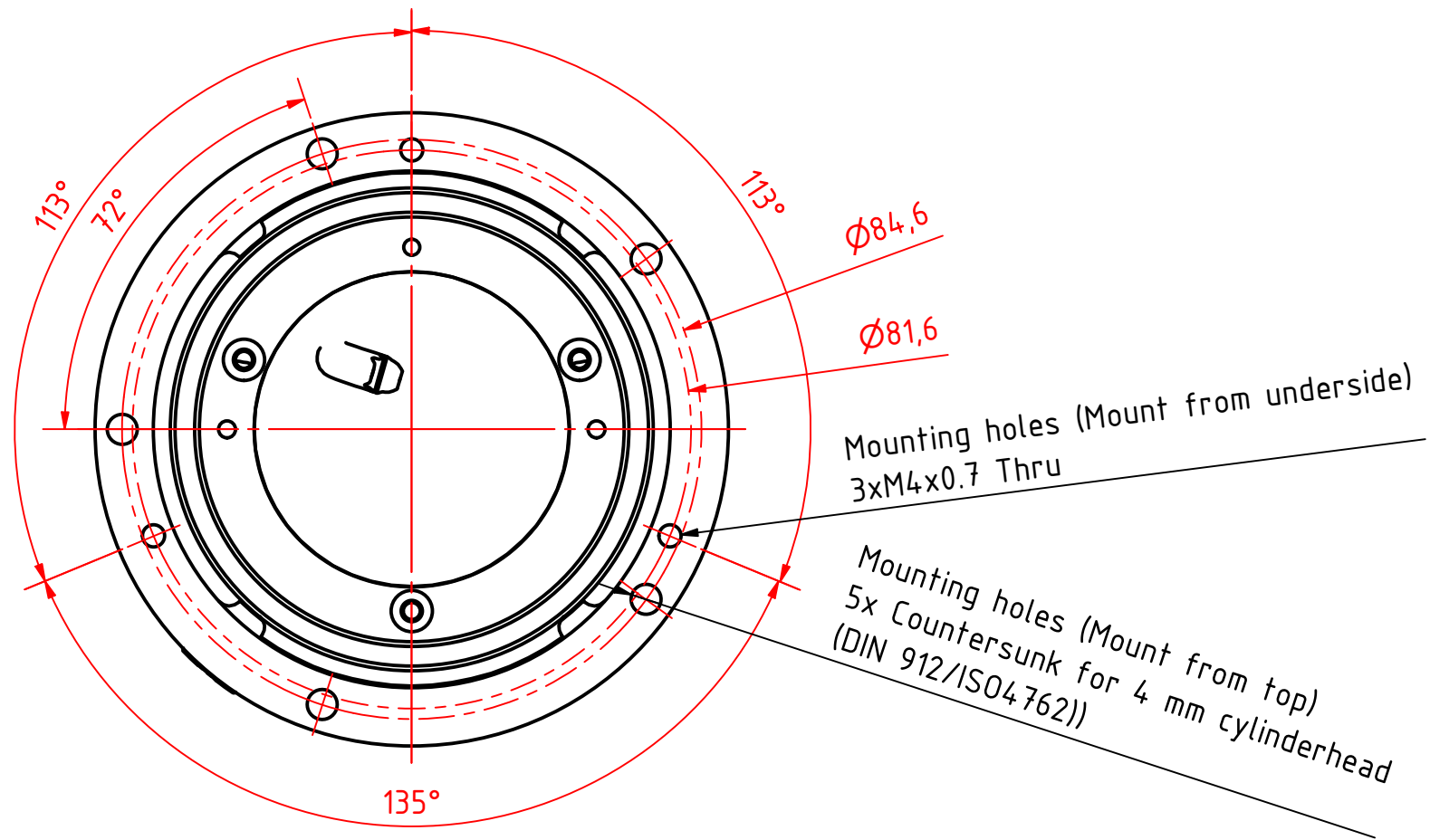
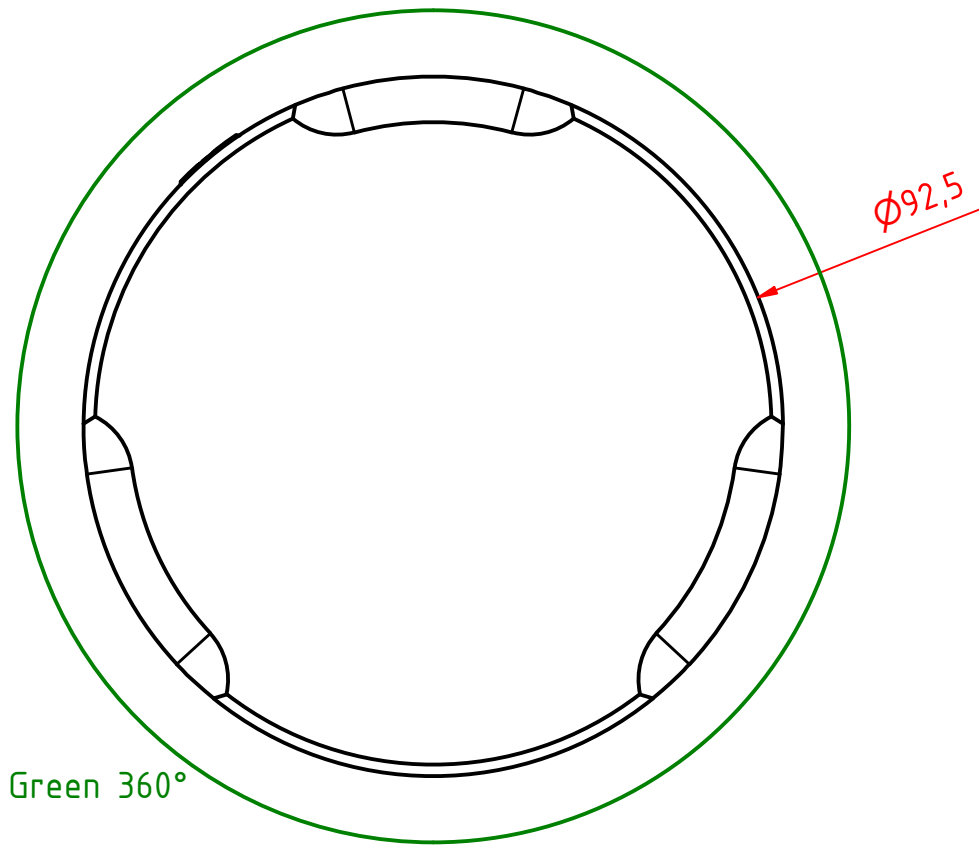
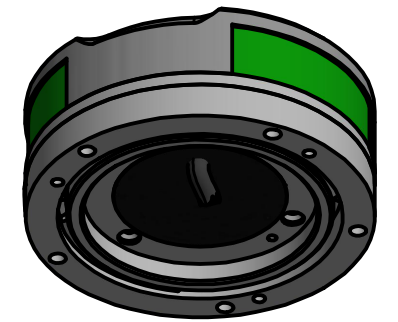
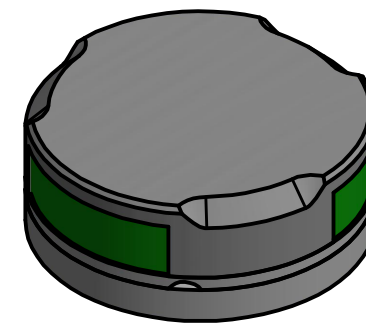
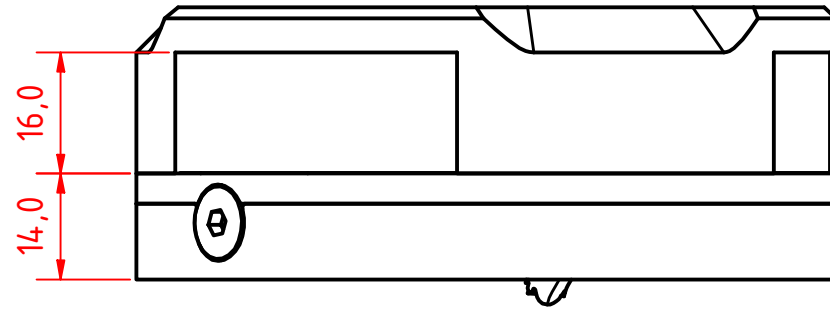
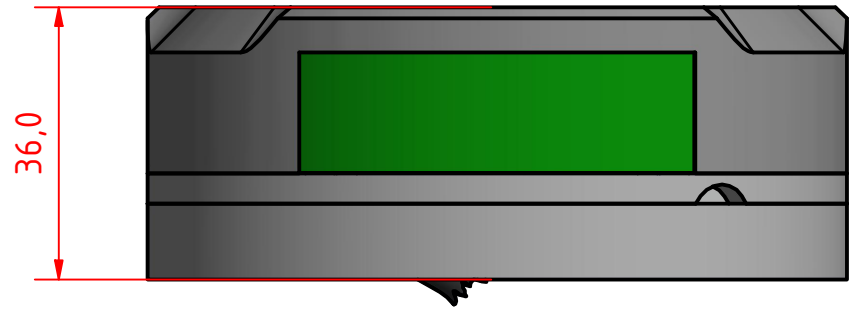
This Drawing, and the information within, is the property of Lopolight ApS and may not be used in any form without express permission there from. Lopolight reserves the right to change this drawing and assumes no liability for the information communicated herein. Use of dimensions and other information in this drawing is at the users own risk.



Lopolight ApS  
Bakkegaardsvej 513  
DK-3050, Humlebaek  
Denmark

Tel: (+45) 32 48 50 30 Fax: (+45) 32 48 50 32  
info@lopolight.com





200-015G2, 360° Green on a 400-036 Ultra  
Low profile base

DRAWING NO.: 200-015G2	REV. NO.: 0	SIZE: A3	DRAWN BY: Thomas
SCALE: 1 : 1	TOLERANCES: DS/ISO 2768-f	REVIEWED BY:	CREATION DATE: 25-05-2021

MATERIAL DESCRIPTION:  
Alu. EN6082, Acrylic (20µ) Silver anodized according to EN ISO 7599  
(50µ) Black anodized according to MIL-A 8625F

This Drawing, and the information within, is the property of Lopolight ApS and may not be used in any form without express permission there from. Lopolight reserves the right to change this drawing and assumes no liability for the information communicated herein. Use of dimensions and other information in this drawing is at the users own risk.



Lopolight ApS  
Bakkegaardsvej 513  
DK-3050, Humlebaek  
Denmark  
www.lopolight.com

Tel:(+45) 32 48 50 30 Fax:(+45) 32 48 50 32  
info@lopolight.com

