

White with
Strobe 360°

White 135°

Green 112,5°

Red 112,5°

Ø7,00

Ø12,00

Ø38,00

Ø92,50

TITLE:
101-009G2S 1 NM Tri-color and 360° anchor w.
Strobe function, on a 400-038 PE std base

DRAWING NO.: 101-009G2S-AA REV. NO.: 1 SIZE: A3 DRAWN BY: Thomas

SCALE: 1 : 1 TOLERANCES: DS/ISO 2768-f REVIEWED BY: CREATION DATE: 27-09-2021

MATERIAL DESCRIPTION:
Alu. EN6082, Acrylic, PE (20µ) Silver anodized according to EN ISO 7599
(50µ) Black anodized according to MIL-A 8625F

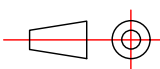
This Drawing, and the information within, is the property of Lopolight ApS and may not be used in any form without express permission there from. Lopolight reserves the right to change this drawing and assumes no liability for the information communicated herein. Use of dimensions and other information in this drawing is at the users own risk.

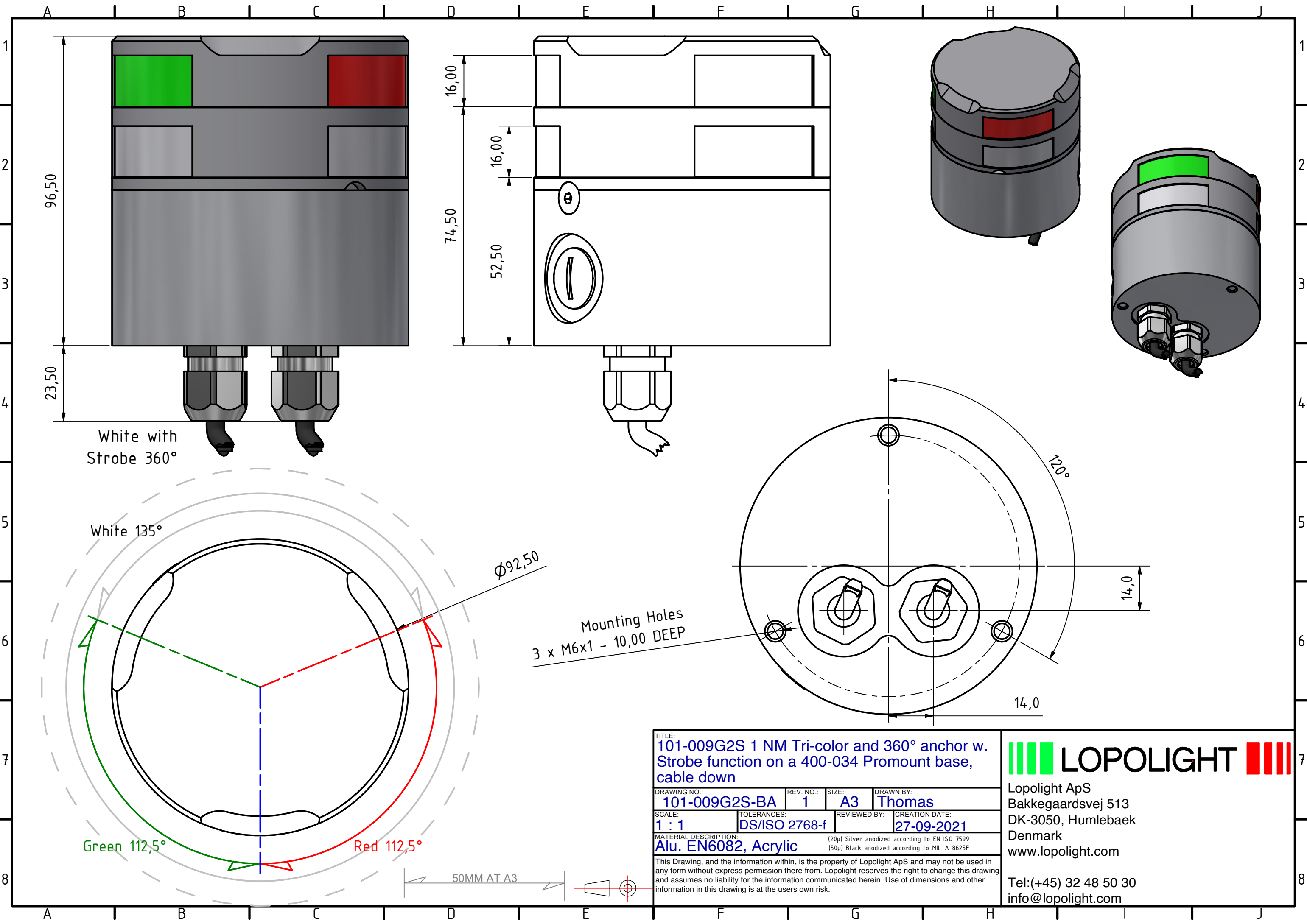


Lopolight ApS
Bakkegaardsvej 513
DK-3050, Humlebaek
Denmark
www.lopolight.com

Tel:(+45) 32 48 50 30
info@lopolight.com

50MM AT A3



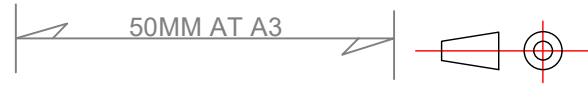


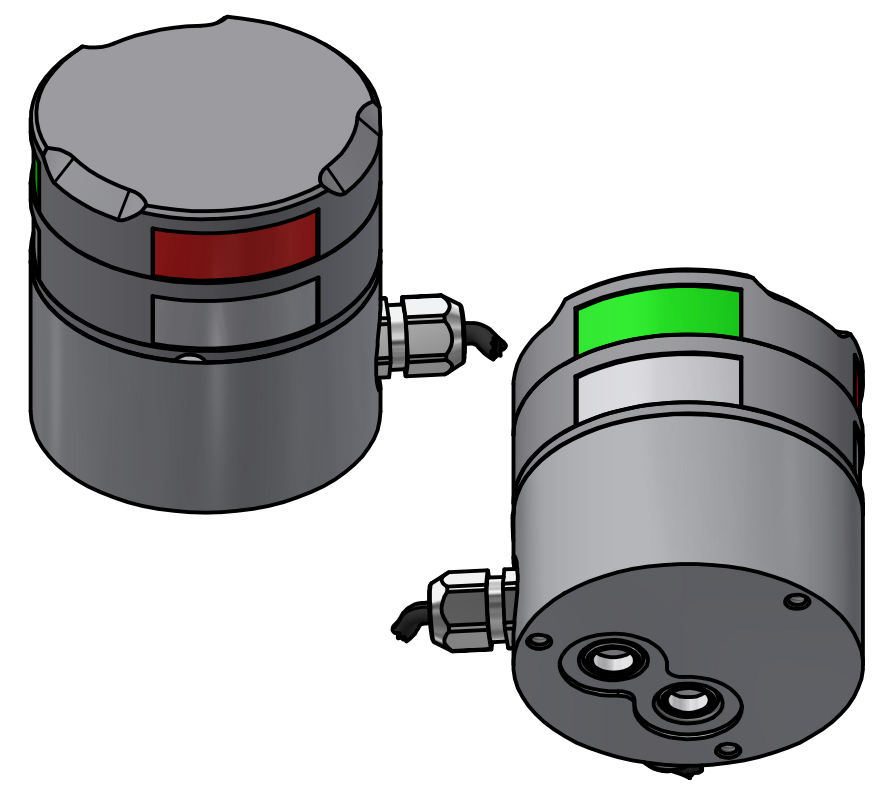
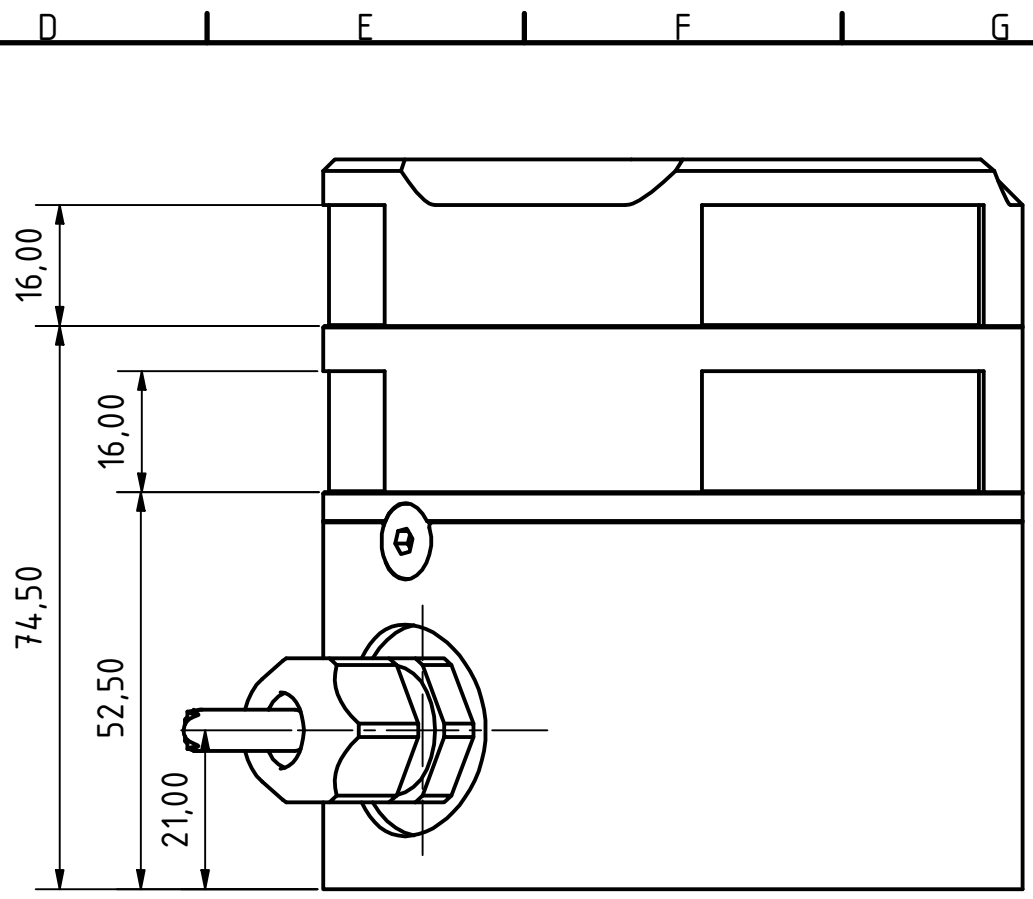
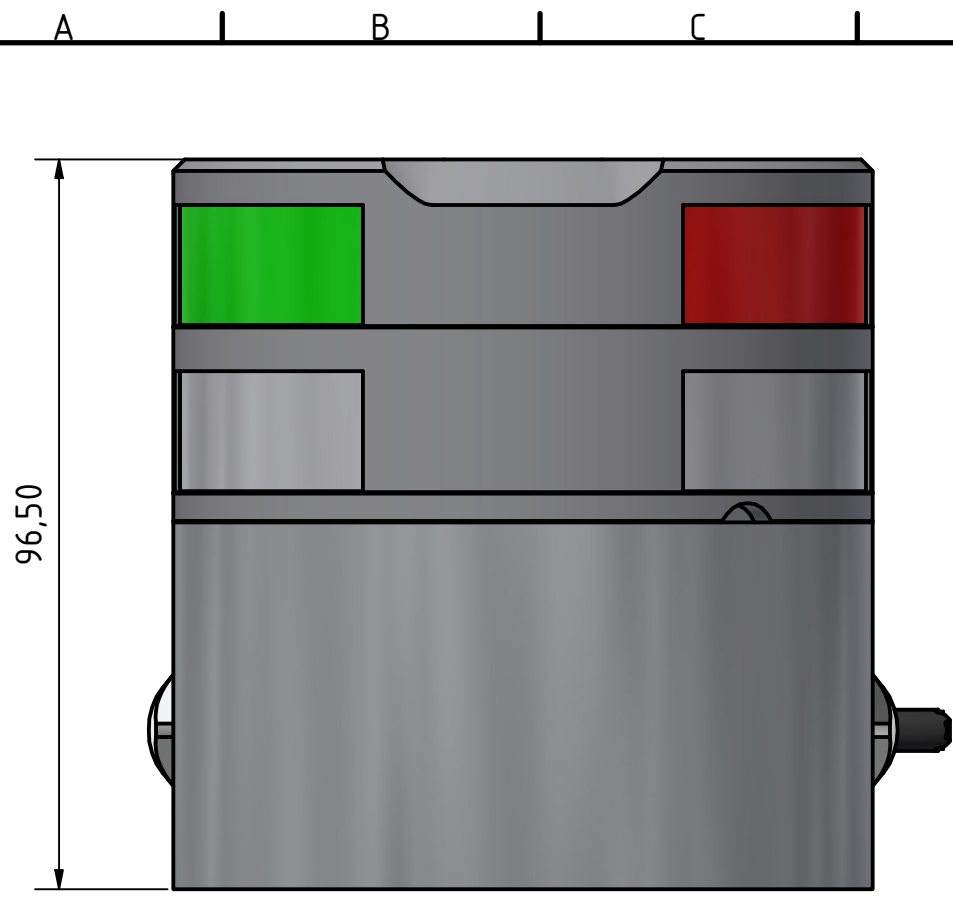
TITLE: 101-009G2S 1 NM Tri-color and 360° anchor w. Strobe function on a 400-034 Promount base, cable down			
DRAWING NO.:	REV. NO.:	SIZE:	DRAWN BY:
101-009G2S-BA	1	A3	Thomas
SCALE:	TOLERANCES:	REVIEWED BY:	CREATION DATE:
1 : 1	DS/ISO 2768-f		27-09-2021
MATERIAL DESCRIPTION:		(20µ) Silver anodized according to EN ISO 7599 (50µ) Black anodized according to MIL-A 8625F	
Alu. EN6082, Acrylic			
This Drawing, and the information within, is the property of Lopolight ApS and may not be used in any form without express permission there from. Lopolight reserves the right to change this drawing and assumes no liability for the information communicated herein. Use of dimensions and other information in this drawing is at the users own risk.			

LOPOLIGHT

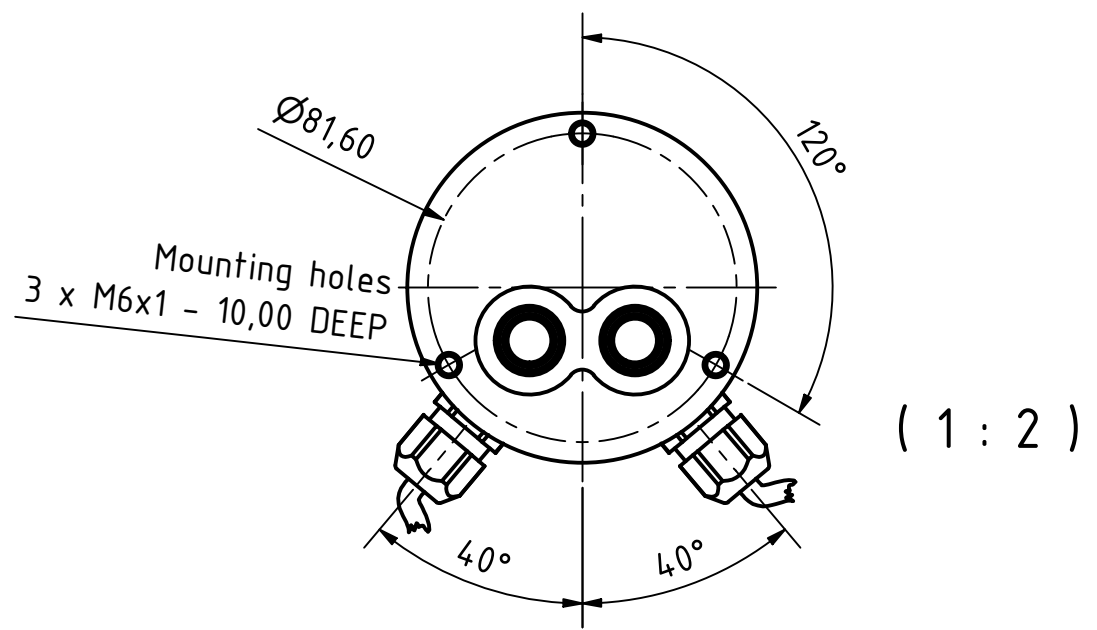
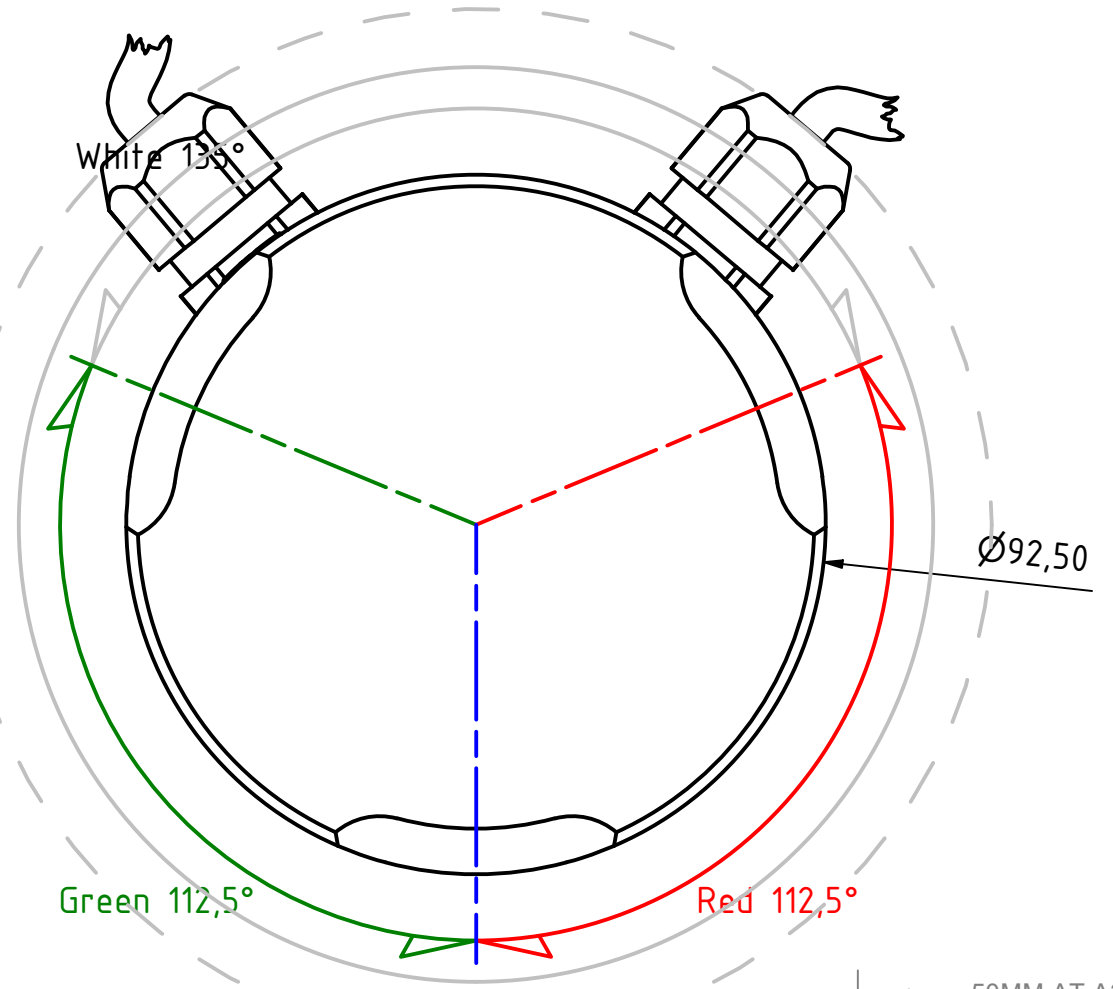
Lopolight ApS
 Bakkegaardsvej 513
 DK-3050, Humlebaek
 Denmark
www.lopolight.com

Tel:(+45) 32 48 50 30
info@lopolight.com





White with
Strobe 360°



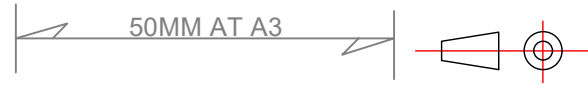
(1 : 2)

TITLE: 101-009G2S 1 NM Tri-color and 360° anchor w. Strobe function, on a 400-034 Promount base, cable Side			
DRAWING NO.:	REV. NO.:	SIZE:	DRAWN BY:
101-009G2S-CA	1	A3	Thomas
SCALE:	TOLERANCES:	REVIEWED BY:	CREATION DATE:
1 : 1	DS/ISO 2768-f		27-09-2021
MATERIAL DESCRIPTION:		(20µ) Silver anodized according to EN ISO 7599 (50µ) Black anodized according to MIL-A 8625F	
Alu. EN6082, Acrylic			

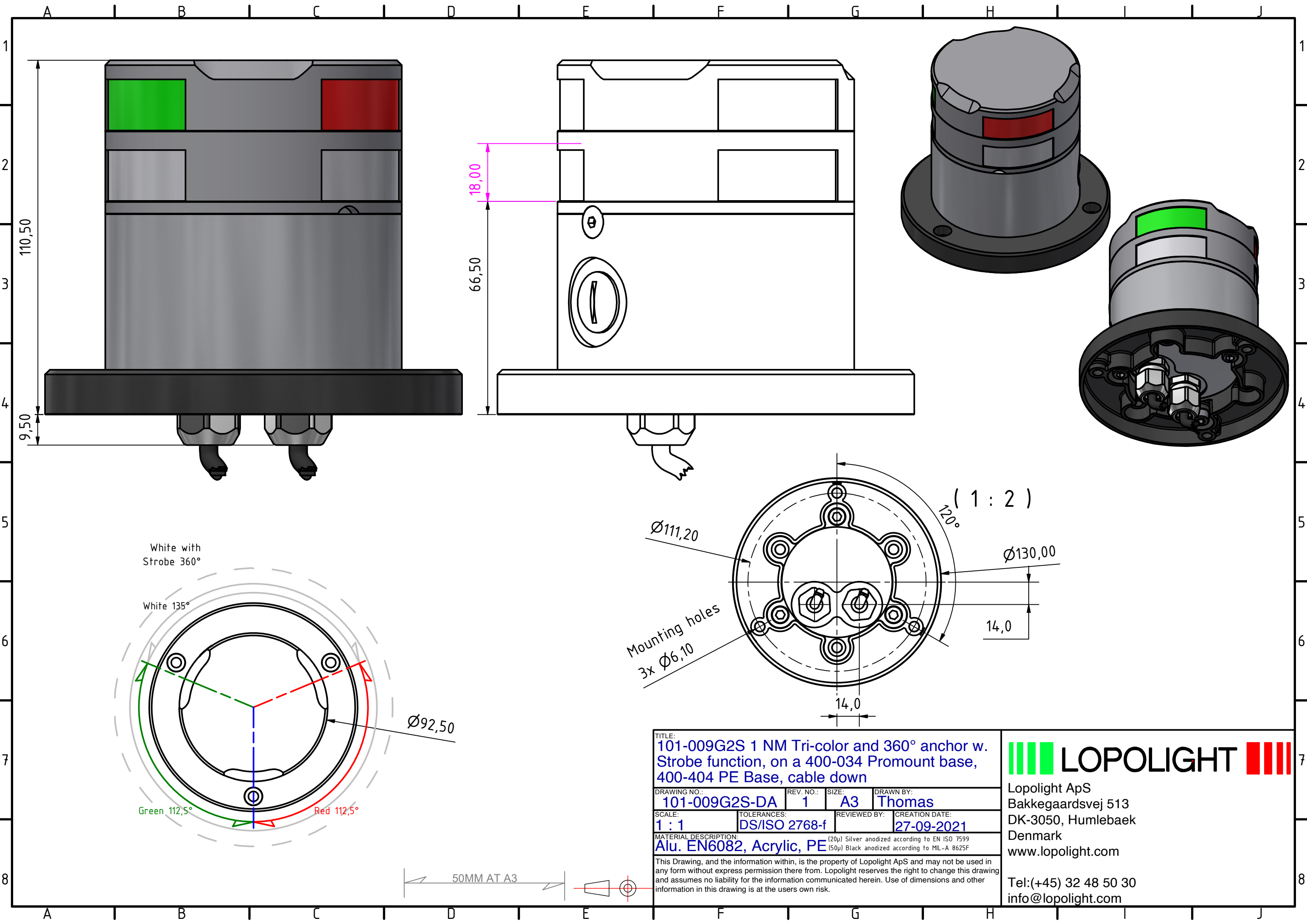
LOPOLIGHT

Lopolight ApS
 Bakkegaardsvej 513
 DK-3050, Humlebaek
 Denmark
www.lopolight.com

Tel:(+45) 32 48 50 30
info@lopolight.com



This Drawing, and the information within, is the property of Lopelight ApS and may not be used in any form without express permission there from. Lopelight reserves the right to change this drawing and assumes no liability for the information communicated herein. Use of dimensions and other information in this drawing is at the users own risk.



White with
Strobe 360°

White 135°

Green 112,5°

Red 112,5°

Ø92,50

Ø111,20

Mounting holes
3x Ø6,10

(1 : 2)

Ø130,00

14,0

14,0

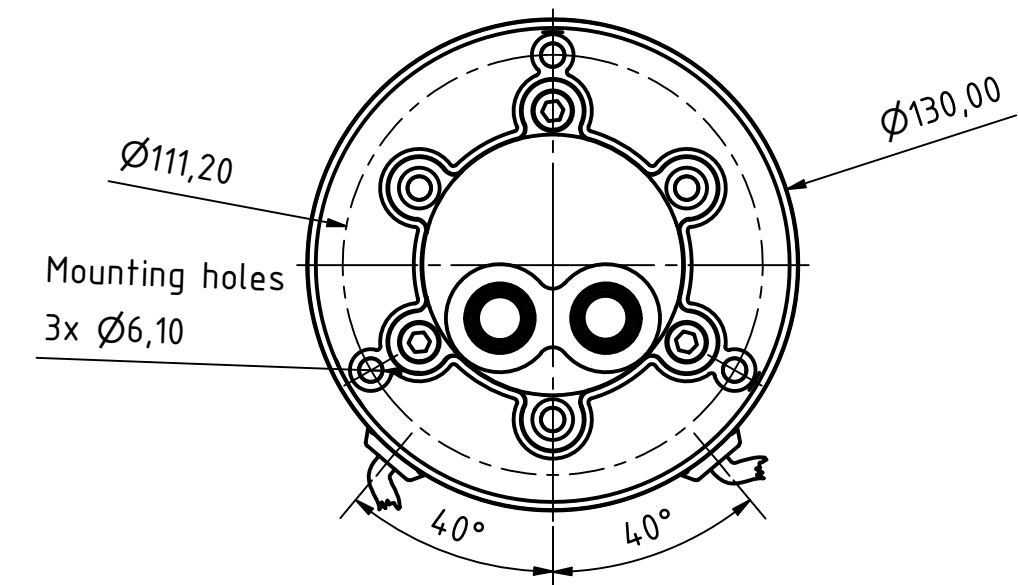
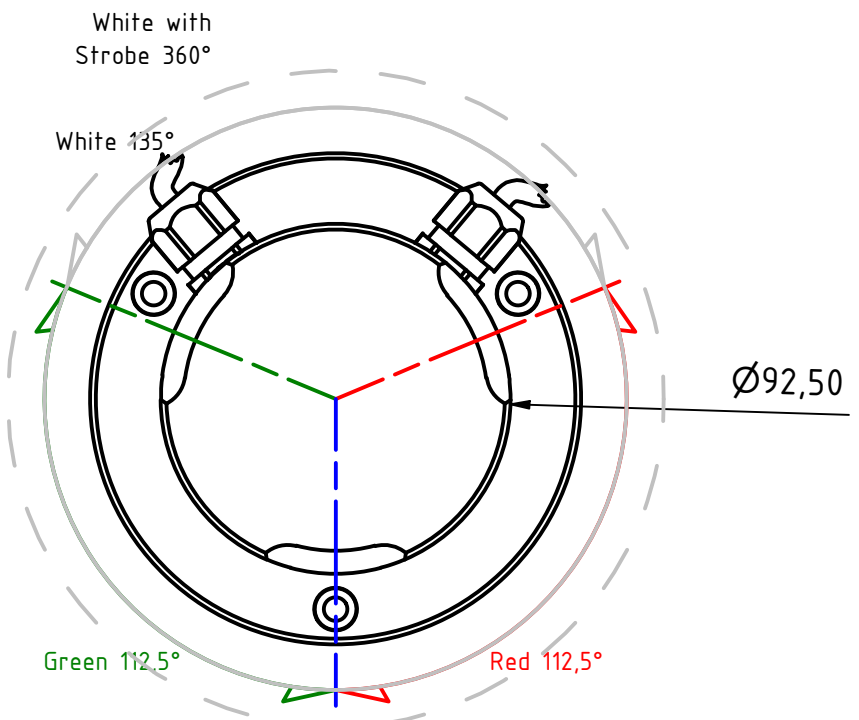
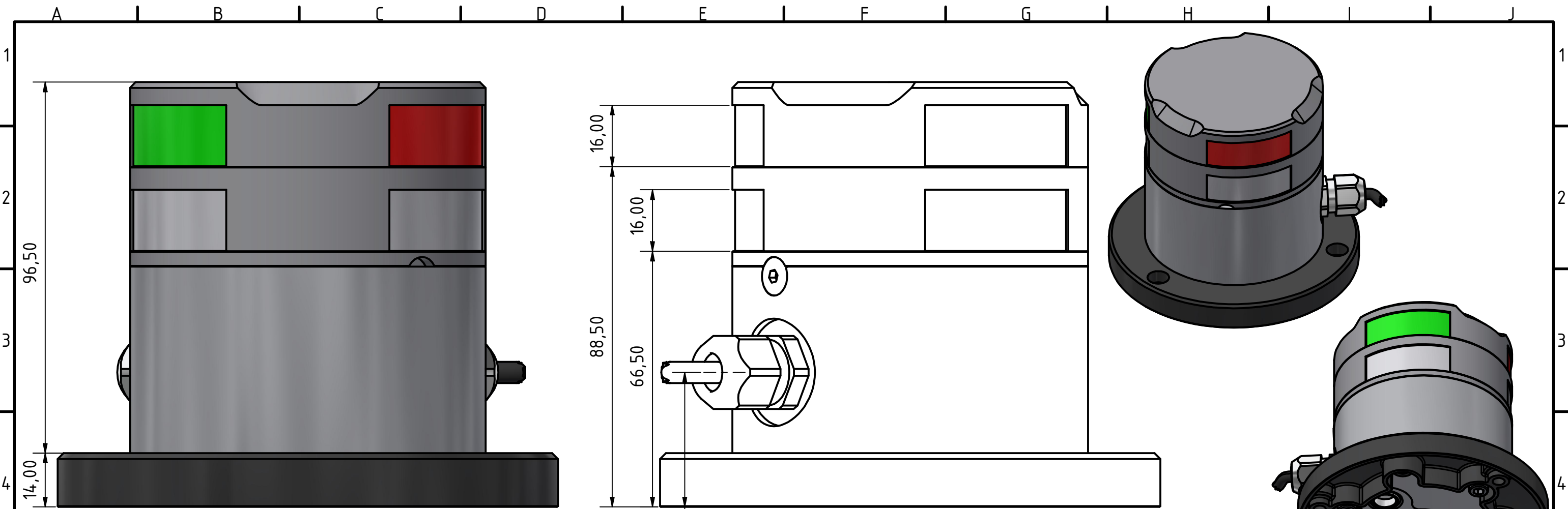
50MM AT A3

TITLE: 101-009G2S 1 NM Tri-color and 360° anchor w. Strobe function, on a 400-034 Promount base, 400-404 PE Base, cable down			
DRAWING NO.:	REV. NO.:	SIZE:	DRAWN BY:
101-009G2S-DA	1	A3	Thomas
SCALE:	TOLERANCES:	REVIEWED BY:	CREATION DATE:
1 : 1	DS/ISO 2768-f		27-09-2021
MATERIAL DESCRIPTION: Alu. EN6082, Acrylic, PE (20µ) Silver anodized according to EN ISO 7599 (50µ) Black anodized according to MIL-A 8625F			
This Drawing, and the information within, is the property of Lopolight ApS and may not be used in any form without express permission there from. Lopolight reserves the right to change this drawing and assumes no liability for the information communicated herein. Use of dimensions and other information in this drawing is at the users own risk.			

LOPOLIGHT

Lopolight ApS
Bakkegaardsvej 513
DK-3050, Humlebaek
Denmark
www.lopolight.com

Tel:(+45) 32 48 50 30
info@lopolight.com

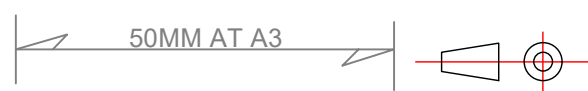


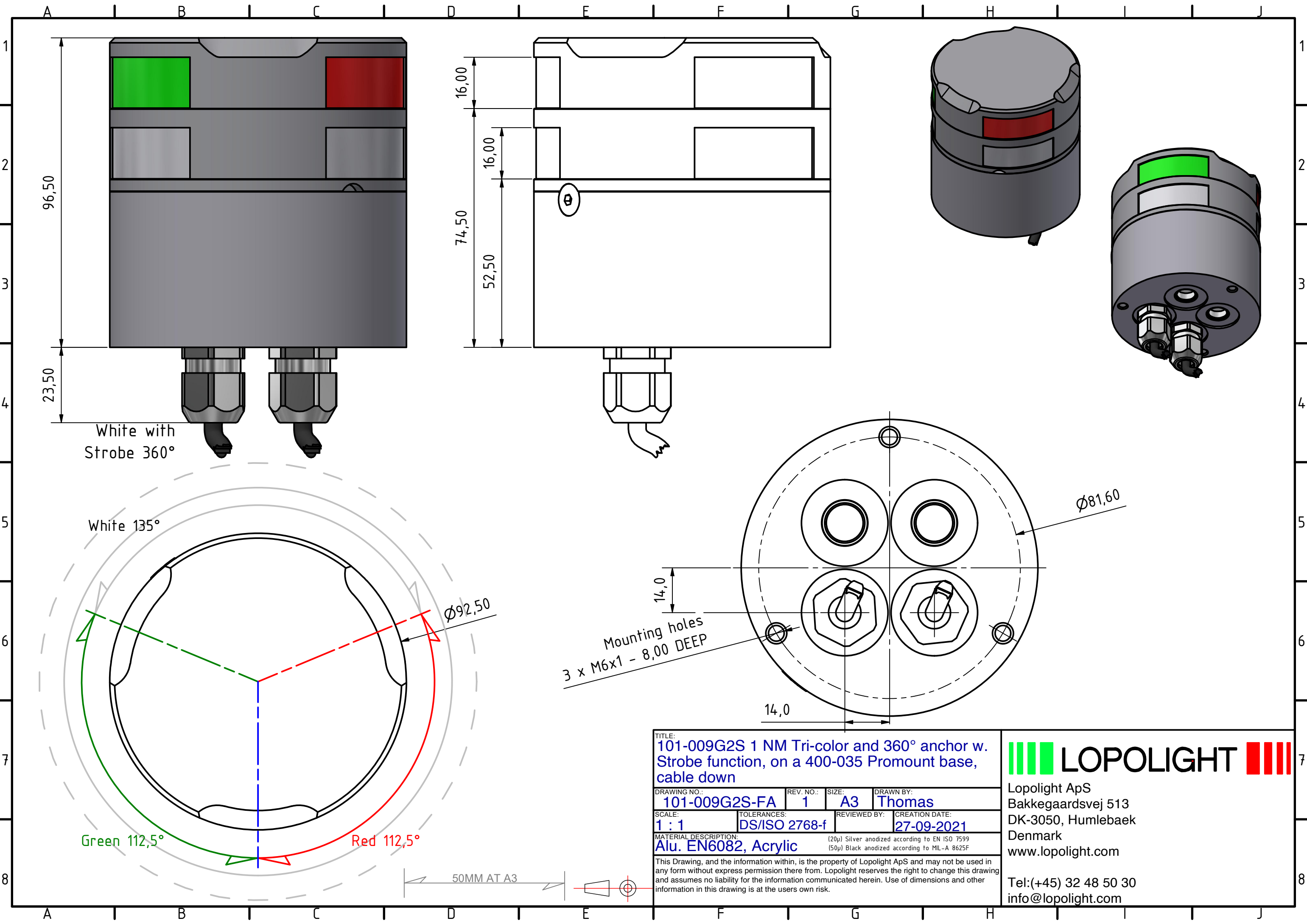
TITLE: 101-009G2S 1 NM Tri-color and 360° anchor w. Strobe function, 400-404 PE Base, cable side			
DRAWING NO.:	REV. NO.:	SIZE:	DRAWN BY:
101-009G2S-EA	1	A3	Thomas
SCALE:	TOLERANCES:	REVIEWED BY:	CREATION DATE:
1 : 1	DS/ISO 2768-f		27-09-2021
MATERIAL DESCRIPTION: Alu. EN6082, Acrylic, PE (20µ) Silver anodized according to EN ISO 7599 (50µ) Black anodized according to MIL-A 8625F			
This Drawing, and the information within, is the property of Lopolight ApS and may not be used in any form without express permission there from. Lopolight reserves the right to change this drawing and assumes no liability for the information communicated herein. Use of dimensions and other information in this drawing is at the users own risk.			

LOPOLIGHT

Lopolight ApS
 Bakkegaardsvej 513
 DK-3050, Humlebaek
 Denmark
www.lopolight.com

Tel:(+45) 32 48 50 30
info@lopolight.com





White with
Strobe 360°

White 135°

Green 112,5°

Red 112,5°

Mounting holes
3 x M6x1 - 8,00 DEEP

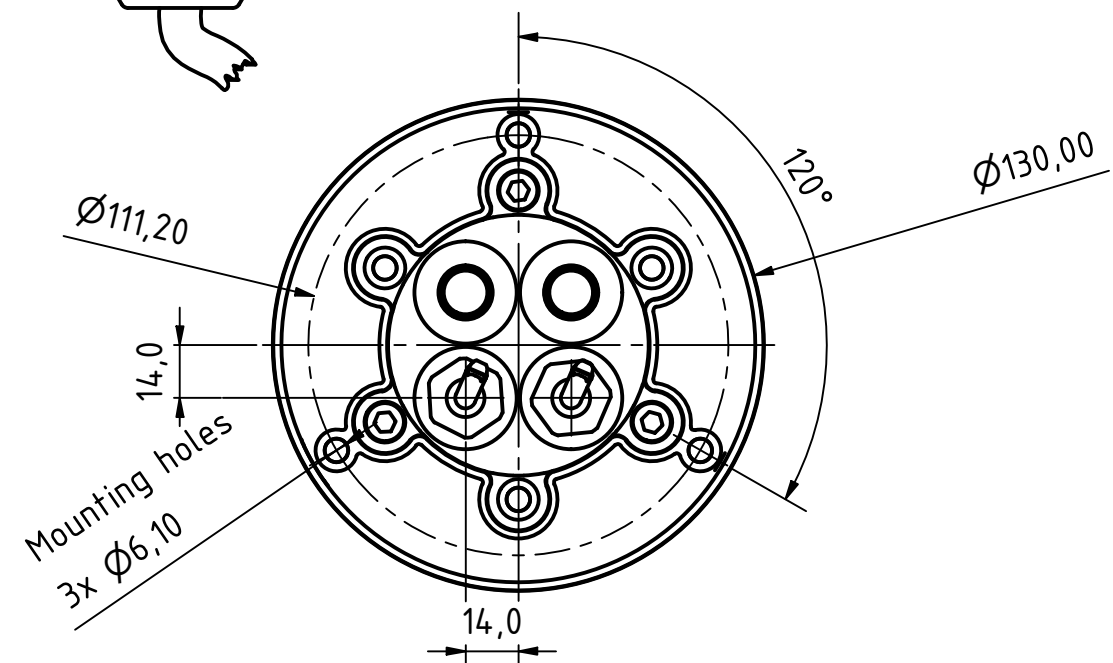
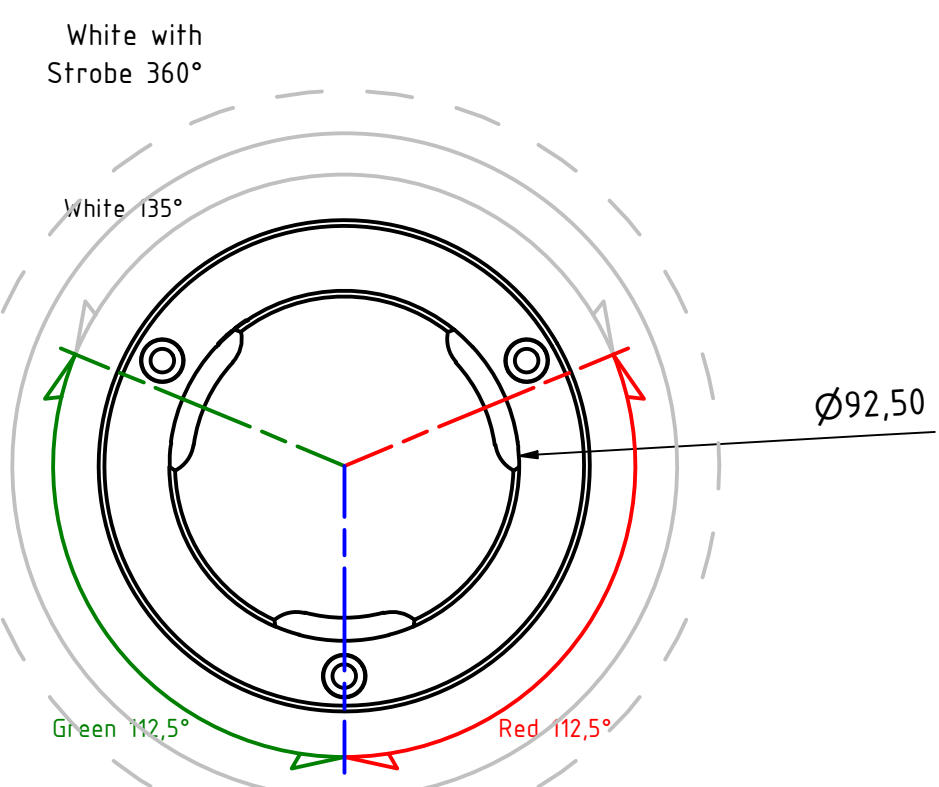
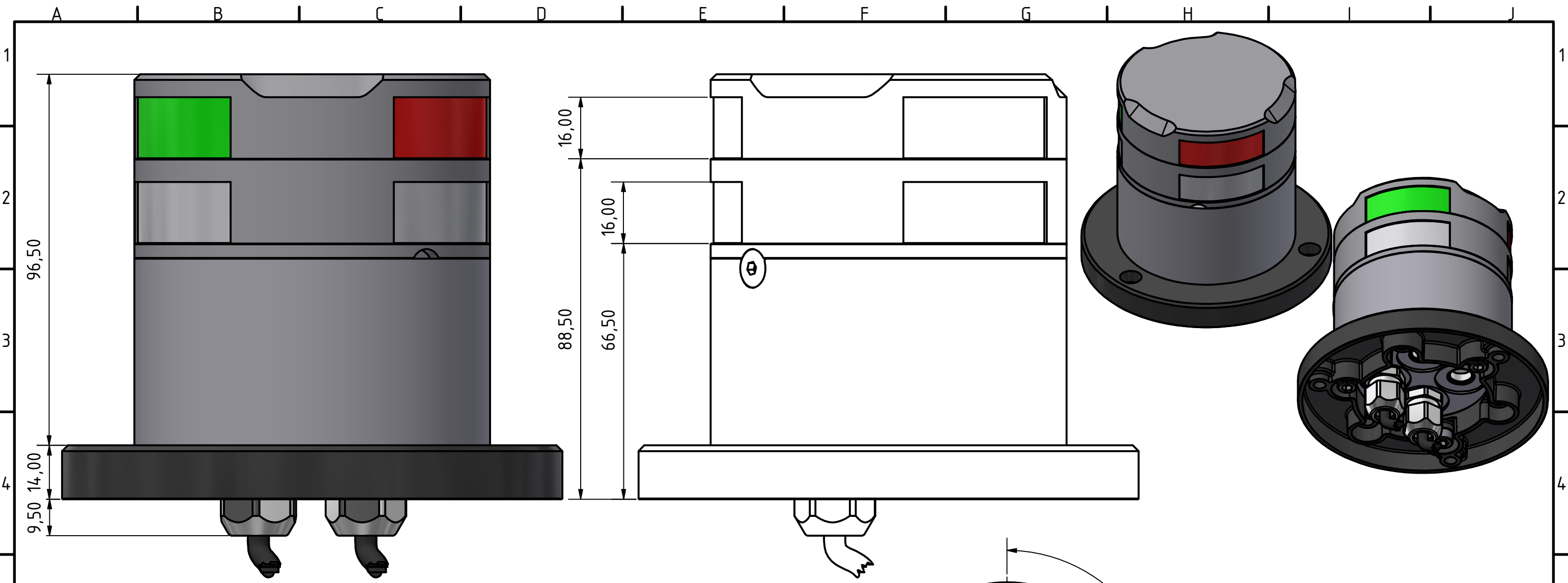
50MM AT A3

TITLE: 101-009G2S 1 NM Tri-color and 360° anchor w. Strobe function, on a 400-035 Promount base, cable down			
DRAWING NO.:	REV. NO.:	SIZE:	DRAWN BY:
101-009G2S-FA	1	A3	Thomas
SCALE:	TOLERANCES:	REVIEWED BY:	CREATION DATE:
1 : 1	DS/ISO 2768-f		27-09-2021
MATERIAL DESCRIPTION:		(20µ) Silver anodized according to EN ISO 7599 (50µ) Black anodized according to MIL-A 8625F	
Alu. EN6082, Acrylic			



Lopolight ApS
 Bakkegaardsvej 513
 DK-3050, Humlebaek
 Denmark
www.lopolight.com
 Tel:(+45) 32 48 50 30
info@lopolight.com

This Drawing, and the information within, is the property of Lopolight ApS and may not be used in any form without express permission there from. Lopolight reserves the right to change this drawing and assumes no liability for the information communicated herein. Use of dimensions and other information in this drawing is at the users own risk.

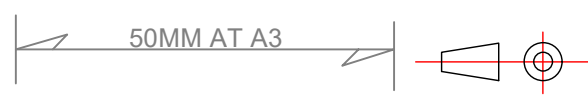


TITLE: 101-009G2S 1 NM Tri-color and 360° anchor w. Strobe function, on a 400-035 Promount base, 400-404 PE Base, cable down			
DRAWING NO.:	REV. NO.:	SIZE:	DRAWN BY:
101-009G2S-GA	1	A3	Thomas
SCALE:	TOLERANCES:	REVIEWED BY:	CREATION DATE:
1 : 1	DS/ISO 2768-f		27-09-2021
MATERIAL DESCRIPTION: Alu. EN6082, Acrylic, PE (20µ) Silver anodized according to EN ISO 7599 (50µ) Black anodized according to MIL-A 8625F			

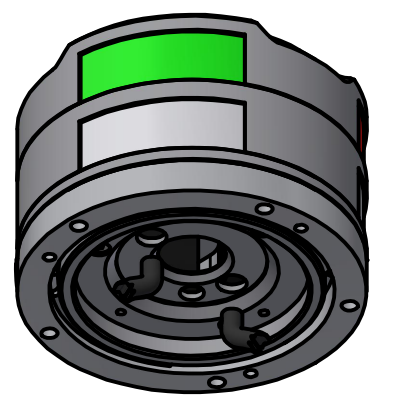
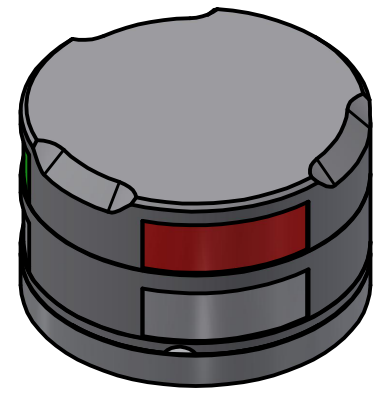
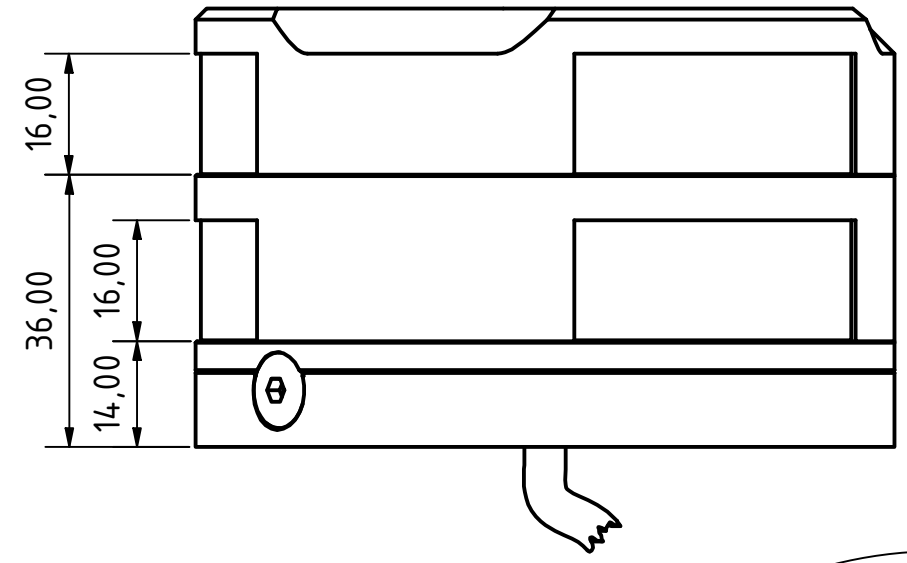
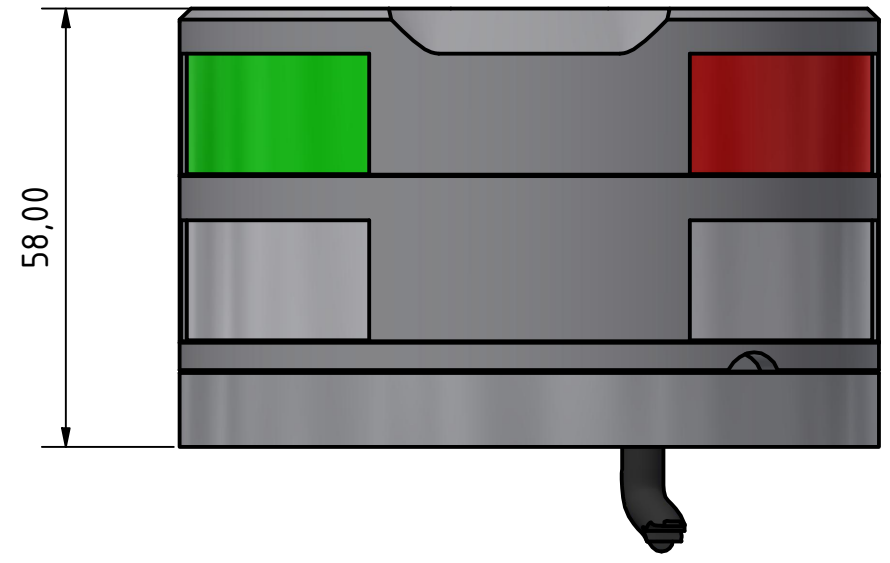
LOPOLIGHT

Lopolight ApS
 Bakkegaardsvej 513
 DK-3050, Humlebaek
 Denmark
www.lopolight.com

Tel:(+45) 32 48 50 30
info@lopolight.com



This Drawing, and the information within, is the property of Lopolight ApS and may not be used in any form without express permission there from. Lopolight reserves the right to change this drawing and assumes no liability for the information communicated herein. Use of dimensions and other information in this drawing is at the users own risk.



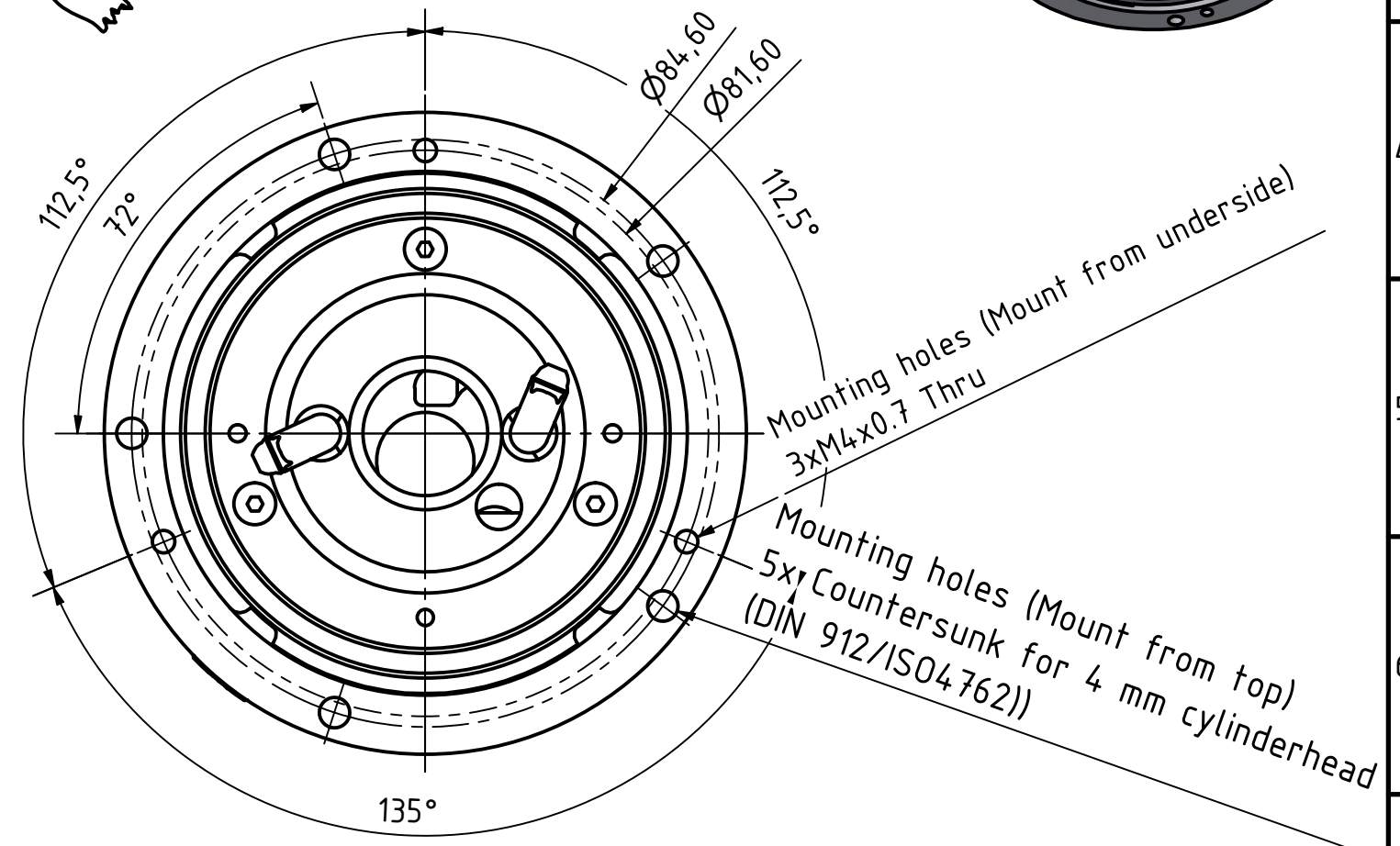
White with
Strobe 360°

White 135°

Green 112,5°

Red 112,5°

Ø92,50

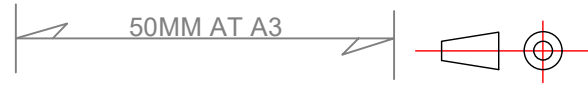


TITLE: 101-009G2S 1 NM Tri-color and 360° anchor w. Strobe function, on a 400-036 Ultra low profile base			
DRAWING NO.:	REV. NO.:	SIZE:	DRAWN BY:
101-009G2S-HA	1	A3	Thomas
SCALE:	TOLERANCES:	REVIEWED BY:	CREATION DATE:
1 : 1	DS/ISO 2768-f		27-09-2021
MATERIAL DESCRIPTION:		(20µ) Silver anodized according to EN ISO 7599 (50µ) Black anodized according to MIL-A 8625F	
Alu. EN6082, Acrylic			

LOPOLIGHT

Lopolight ApS
 Bakkegaardsvej 513
 DK-3050, Humlebaek
 Denmark
www.lopolight.com

Tel: (+45) 32 48 50 30
info@lopolight.com



This Drawing, and the information within, is the property of Lopolight ApS and may not be used in any form without express permission there from. Lopolight reserves the right to change this drawing and assumes no liability for the information communicated herein. Use of dimensions and other information in this drawing is at the users own risk.