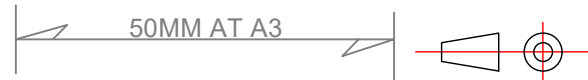
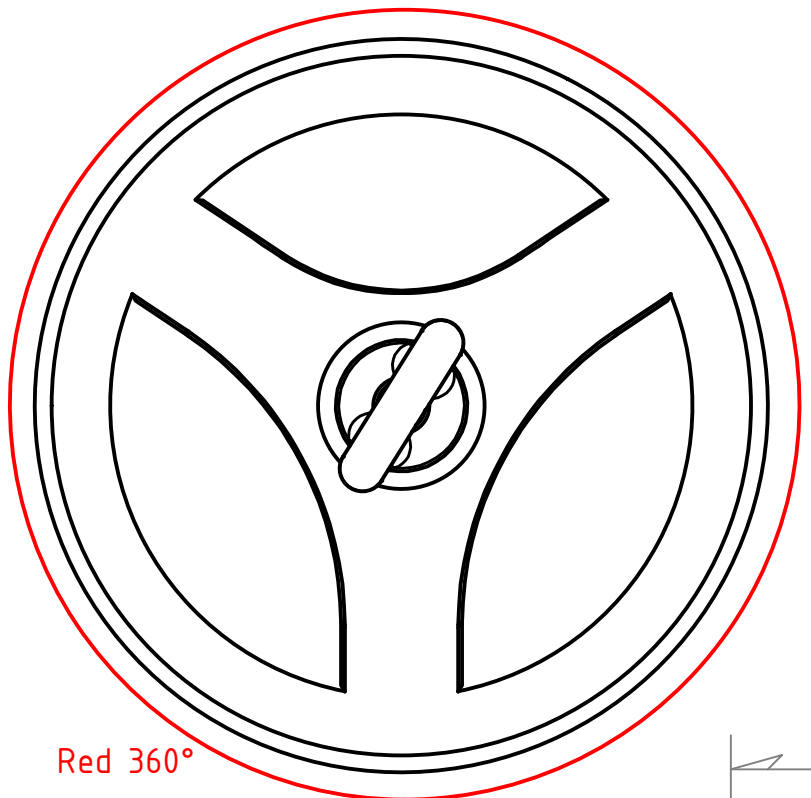
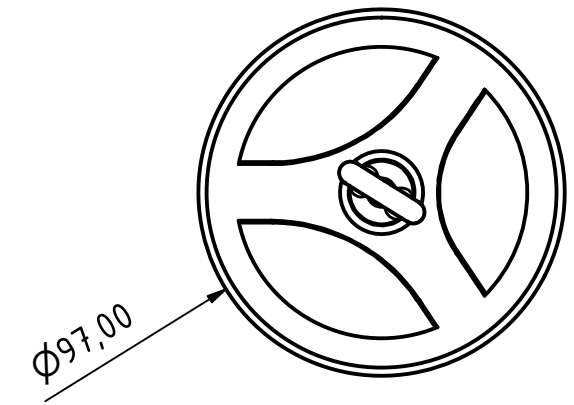
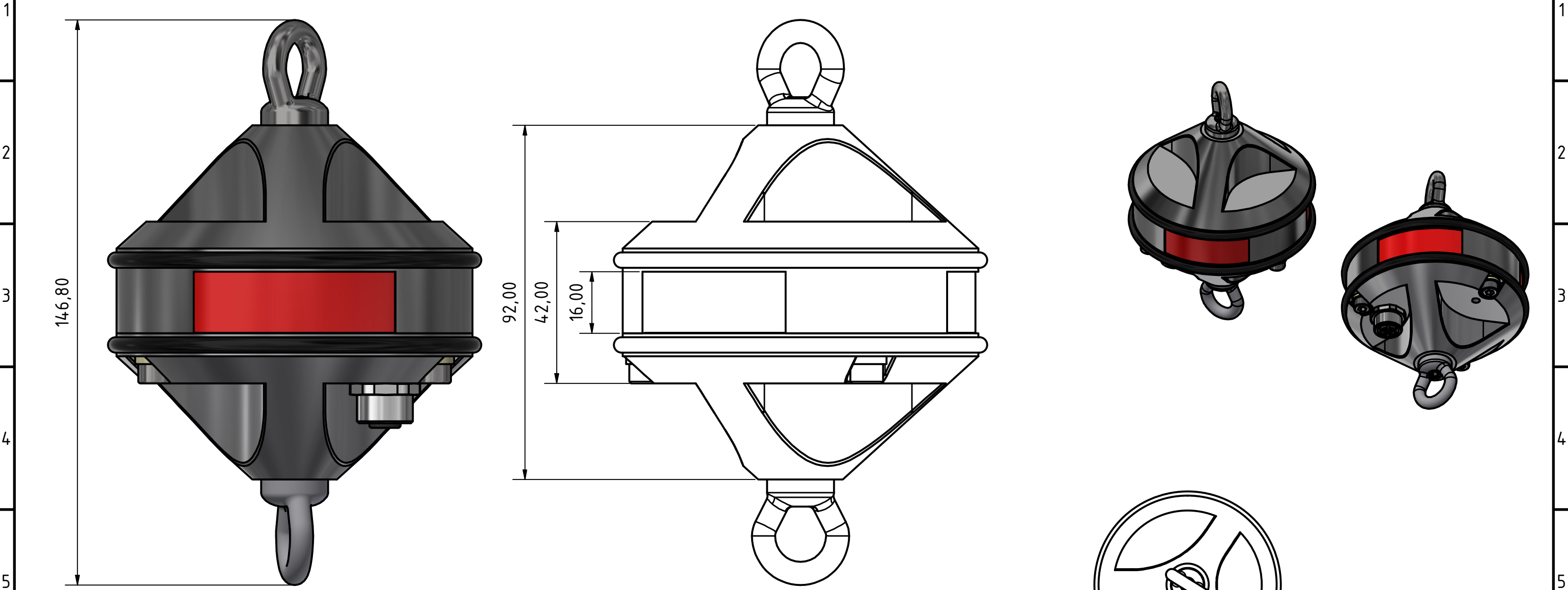


A B C D E F G H I J



TITLE: 200-014G2-H1C 2 NM 360 deg Red Hoistable. 1 connector					
DRAWING NO.: 200-014G2-H1C-AA			DRAWN BY: Thomas		
REV. NO.:	SIZE:	SCALE:	TOLERANCES:	REVIEWED BY:	CREATION DATE:
1	A3	1 : 1	DS/ISO 2768-f		16-11-2021
MATERIAL DESCRIPTION: EN6082, Acrylic. AISI316, EPDM					
<small>(20) Silver-anodized according to EN ISO 7599 <small>(50) Black-anodized according to MIL-A 8625F</small> </small>					
<small>This Drawing, and the information within, is the property of Lopolight ApS and may not be used in any form without express permission there from. Lopolight reserves the right to change this drawing and assumes no liability for the information communicated herein. Use of dimensions and other information in this drawing is at the users own risk.</small>					

LOPOLIGHT

Lopolight ApS
 Bakkegaardsvej 513
 DK-3050, Humlebaek
 Denmark
www.lopolight.com

Tel:(+45) 32 48 50 30
info@lopolight.com

A B C D E F G H I J

1
2
3
4
5
6
7
8

1
2
3
4
5
6
7
8