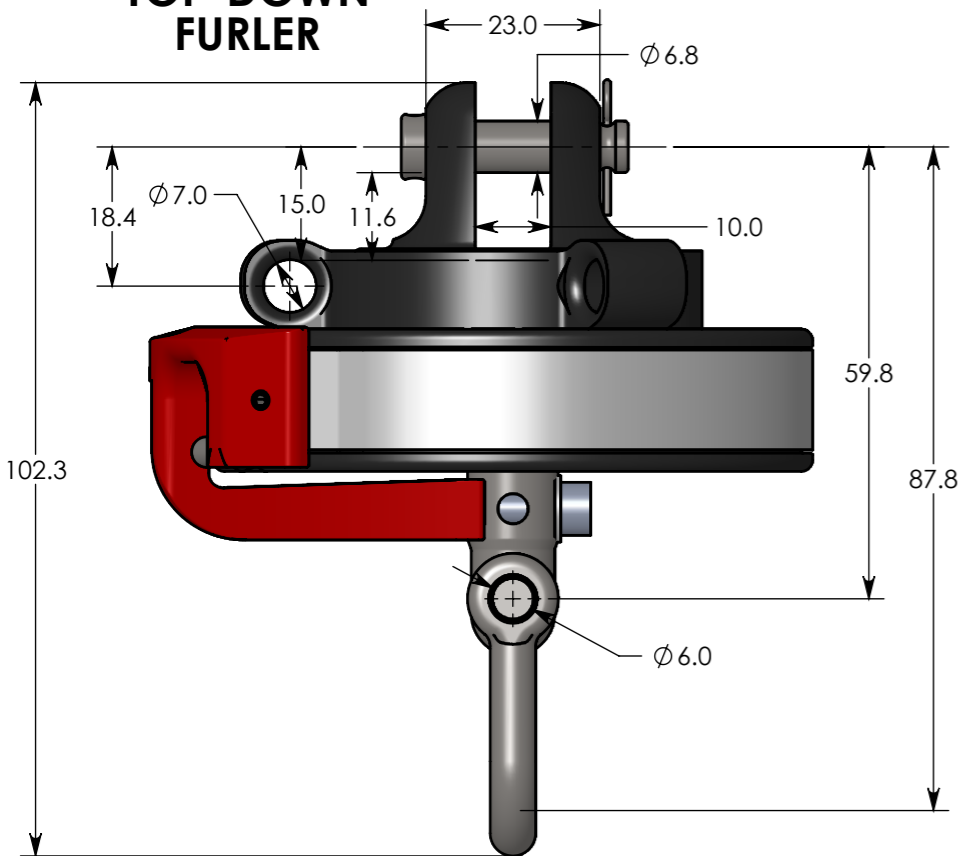
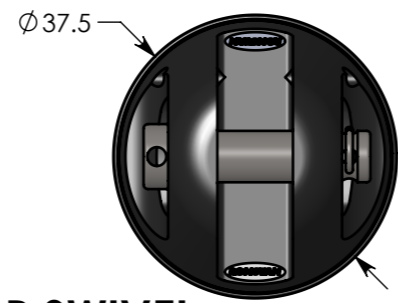


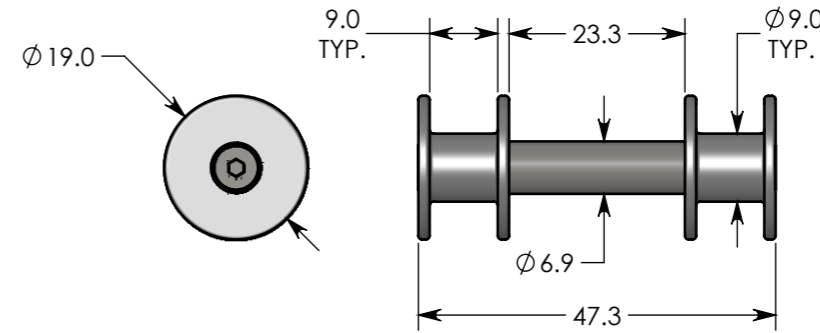
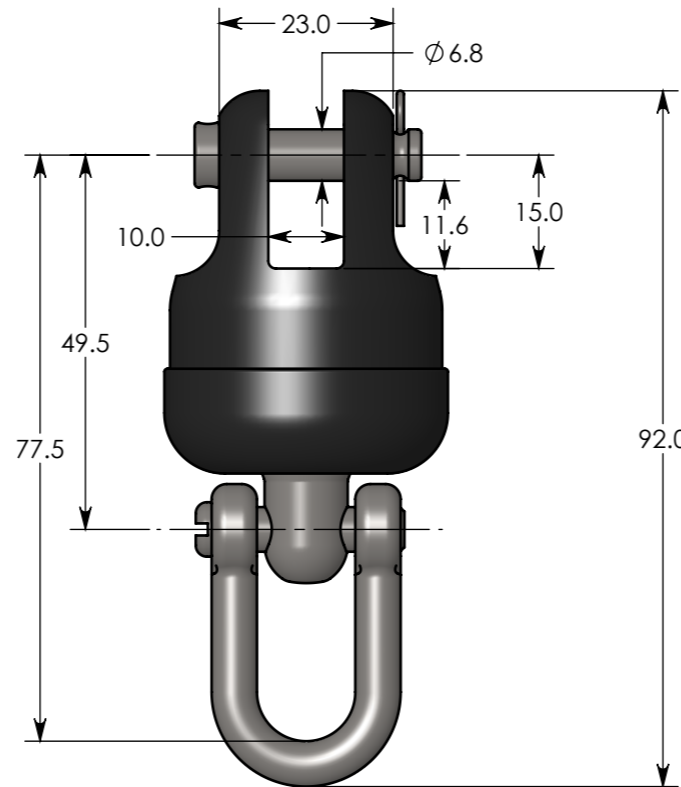
TOP-DOWN FURLER



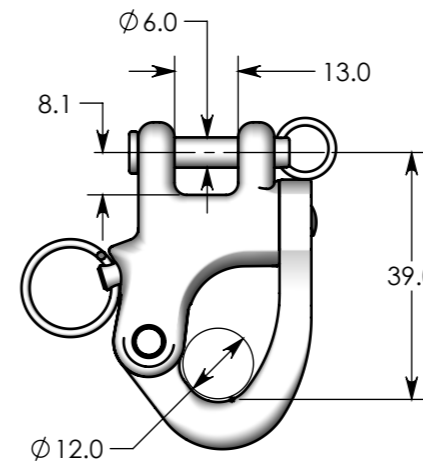
102.3



TOP SWIVEL RS208010



TOP SWIVEL LASHING PIN RS208080



SNAP-SHACKLE ADAPTOR RS208020

SPECIFICATIONS: RS208800 S80 GEN 2 TOP-DOWN FURLER SET

TOP-DOWN FURLER & SHACKLE
 MWL = 950kg (2090lb)
 BL = 1900kg (4190lb)
 WEIGHT * = 241g (8.5oz)
 FURLER LINE Ø = 8mm (5/16")
 SHACKLE = 6mm

RS212010 - TOP SWIVEL & SHACKLE WITH FLUSH PIN
 MWL = 950kg (2090lb)
 BL = 1900kg (4190lb)
 WEIGHT * = 111g (3.9oz)
 SHACKLE = 6mm

*Weight doesn't include Shackle

ACCESSORIES:

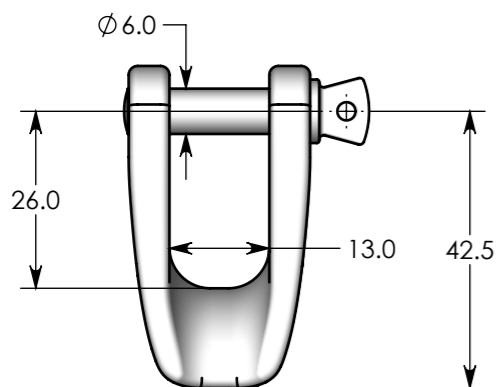
RS208020 - SNAP SHACKLE ADAPTOR
 MWL = 960kg (2120lb)
 BL = 2000kg (4410lb)
 WEIGHT = 54g (1.9oz)

RS208030 - 2:1 FAIRLEAD
 MWL = 1040kg (2290lb)
 BL = 2300kg (5070lb)
 WEIGHT = 44g (1.6oz)

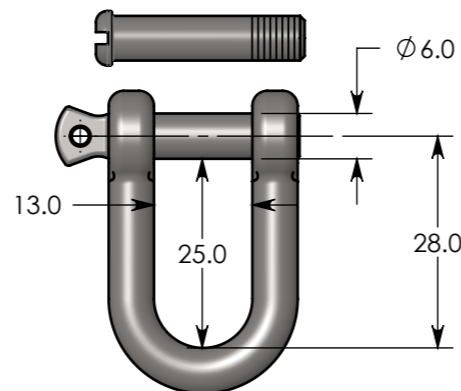
RS208040 - LUFF LINE THIMBLE
 MATERIAL = AL6061, ANODISED
 WEIGHT = 8g (0.3oz)

RS208050 - SHACKLE, 6mm (PLUS FLUSH PIN)
 BL = 1950kg (4300lb)
 WEIGHT = 26g (0.9oz)

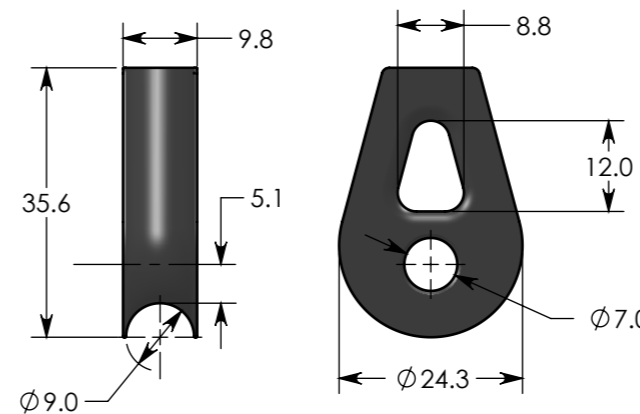
RS208080 - TOP SWIVEL LASHING PIN, 7mm
 MWL = 950kg (2090lb)
 BL = 1900kg (4190lb)
 WEIGHT = 29g (1.0oz)



2:1 FAIRLEAD RS208030



SHACKLE RS208050



THIMBLE RS208040

THE DOCUMENT & THE DESIGN ON IT IS THE EXCLUSIVE PROPERTY OF RONSTAN INTERNATIONAL PTY. LTD. & IS THE SUBJECT OF COPYRIGHT.



DATE 12/07/13
 ALL DIMS IN MM
 DO NOT SCALE

www.ronstan.com