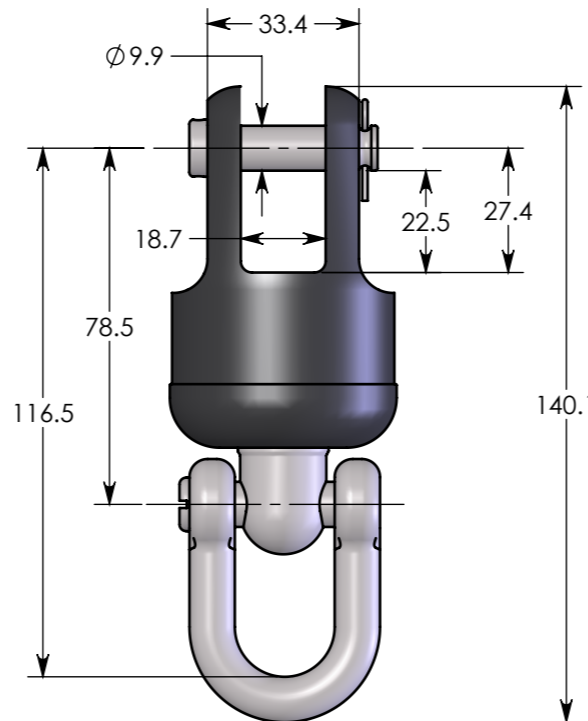
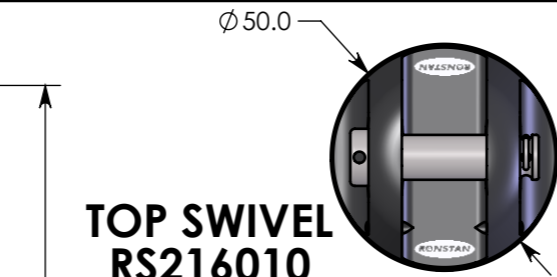
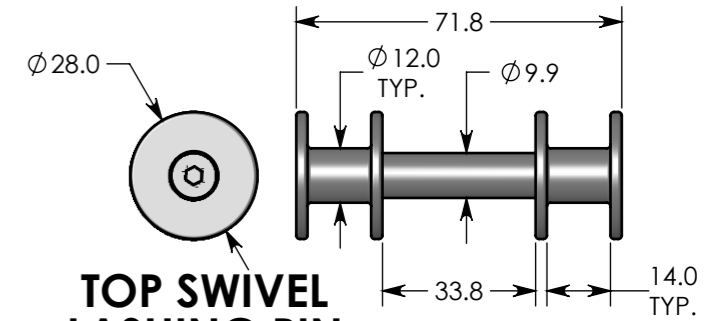


FURLER

**TOP SWIVEL
RS216010**



**TOP SWIVEL
LASHING PIN
RS216080**



**QUICK
RELEASE PIN
RS216090**

**SPECIFICATIONS: RS216700
S160 GEN 2 FURLER SET**

FURLER & SHACKLE
 MWL = 3000kg (6610lb)
 BL = 6000kg (13230lb)
 WEIGHT * = 790g (27.9oz)
 FURLER LINE Ø = 10mm (3/8")
 SHACKLE = 10mm HR

RS216010 - TOP SWIVEL & SHACKLE WITH FLUSH PIN
 MWL = 3000kg (6610lb)
 BL = 6000kg (13230lb)
 WEIGHT * = 300g (10.6oz)
 SHACKLE = 10mm HR

*Weight doesn't include Shackle

ACCESSORIES:

RS216020 - SNAP SHACKLE ADAPTOR
 MWL = 2800kg (6170lb)
 BL = 7000kg (15430lb)
 WEIGHT = 257g (9.1oz)

RS216030 - 2:1 FAIRLEAD
 MWL = 2640kg (5820lb)
 BL = 6000kg (13230lb)
 WEIGHT = 186g (6.6oz)

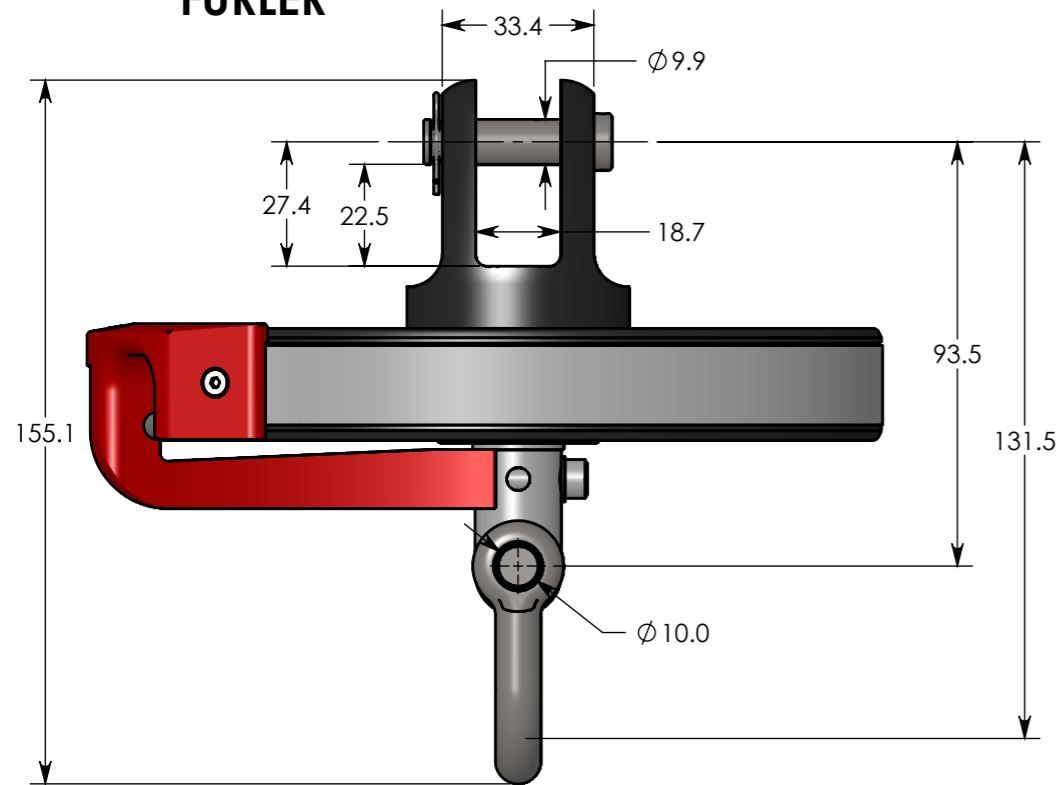
RS216040 - LUFF LINE THIMBLE
 MATERIAL = AL6061, ANODISED
 WEIGHT = 53g (1.9oz)

RS216050 - HR SHACKLE, 10mm (PLUS FLUSH PIN)
 BL = 7500kg (16500lb)
 WEIGHT = 97g (3.4oz)

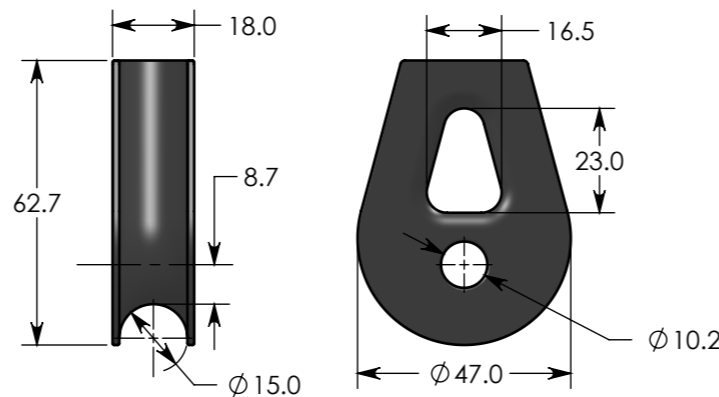
RS216070 - FURLER ROTATION STOP
 WEIGHT = 18g (0.6oz)

RS216080 - TOP SWIVEL LASHING PIN, 10mm
 MWL = 3000kg (6610lb)
 BL = 6000kg (13230lb)
 WEIGHT = 90g (3.2oz)

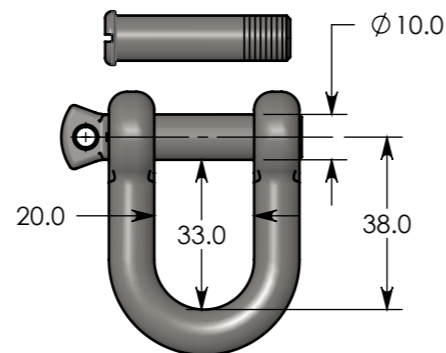
RS216090 - QUICK RELEASE PIN, 10mm
 MWL = 3000kg (6610lb)
 BL = 6000kg (13230lb)
 WEIGHT = 26g (0.9oz)



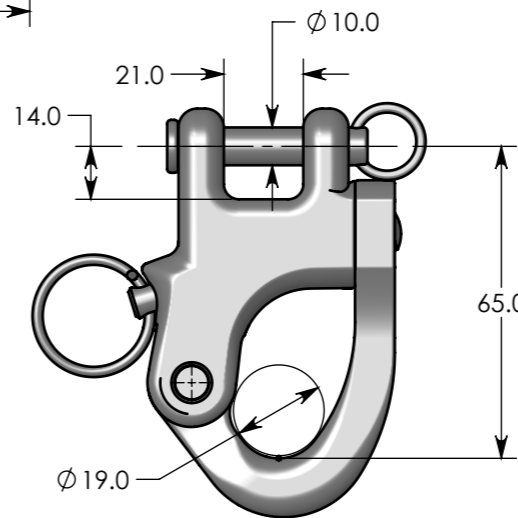
**2:1 FAIRLEAD
RS216030**



**THIMBLE
RS216040**



**SHACKLE
RS216050**



**SNAP-SHACKLE
ADAPTOR
RS216020**

THE DOCUMENT & THE DESIGN ON IT IS THE EXCLUSIVE PROPERTY OF RONSTAN INTERNATIONAL PTY. LTD. & IS THE SUBJECT OF COPYRIGHT.



DATE 12/07/13
 ALL DIMS IN MM
 DO NOT SCALE

www.ronstan.com