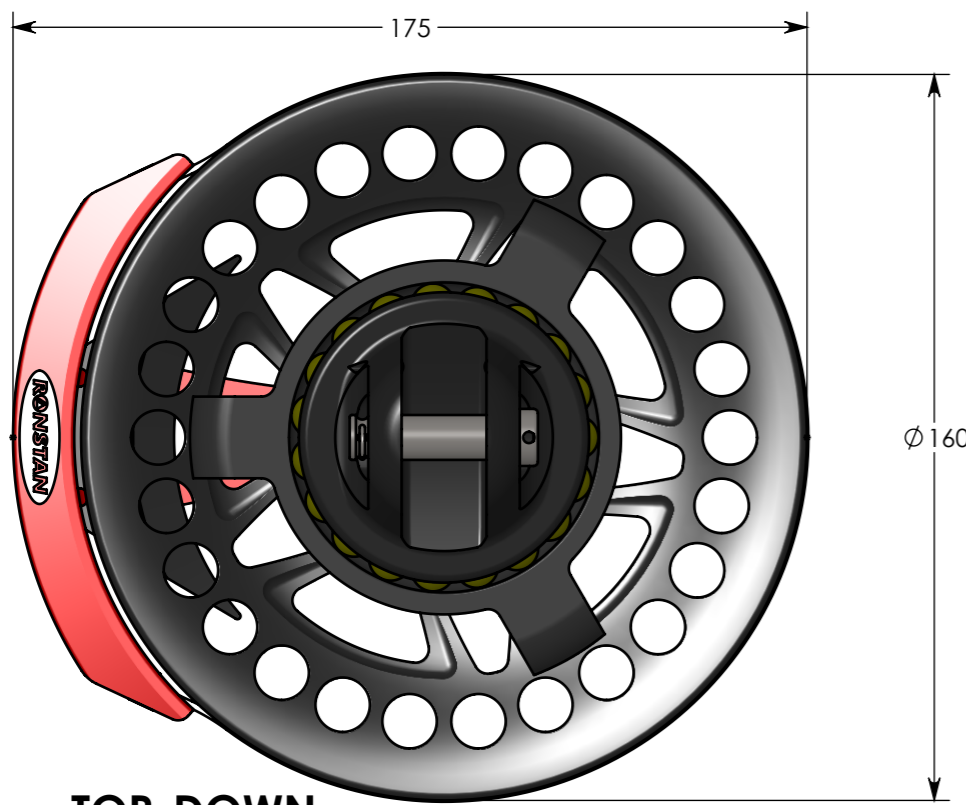
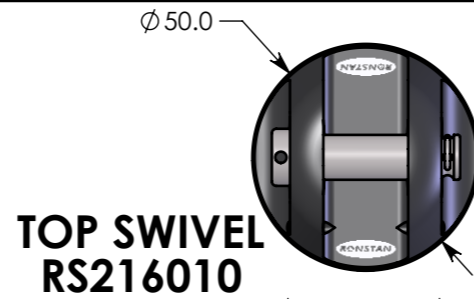
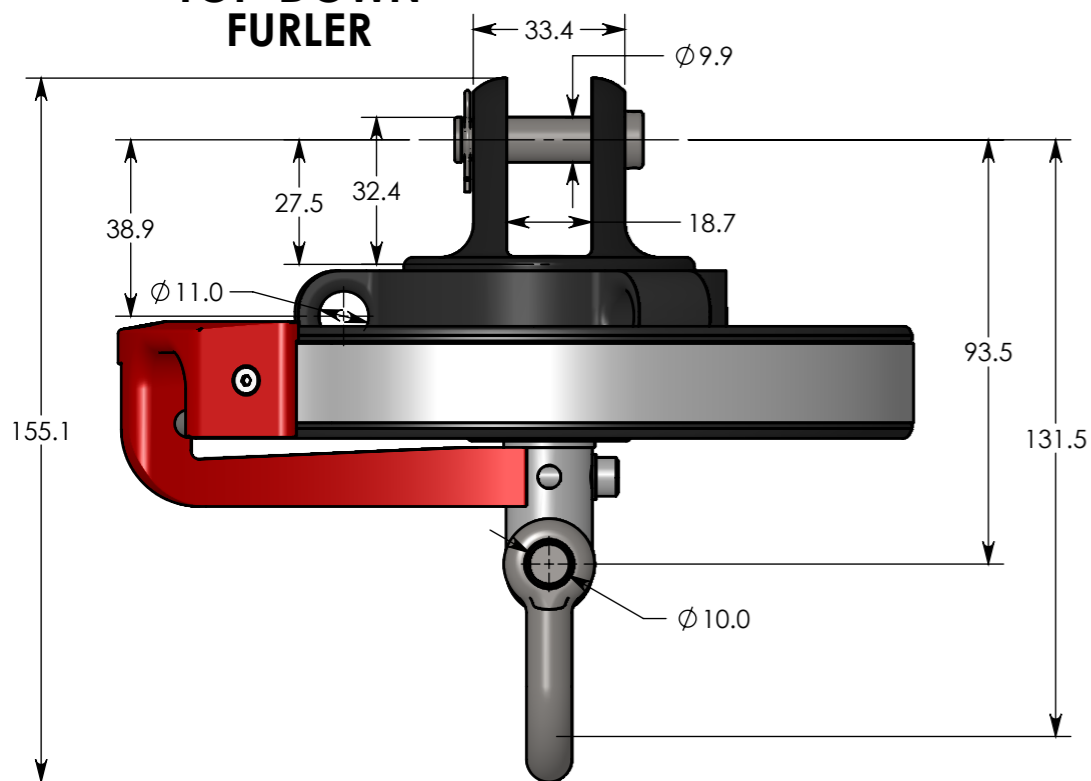


SPECIFICATION SHEET

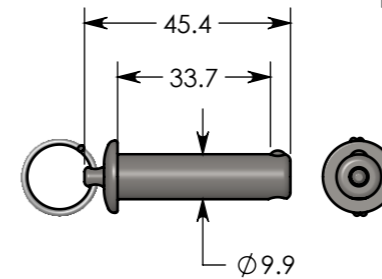
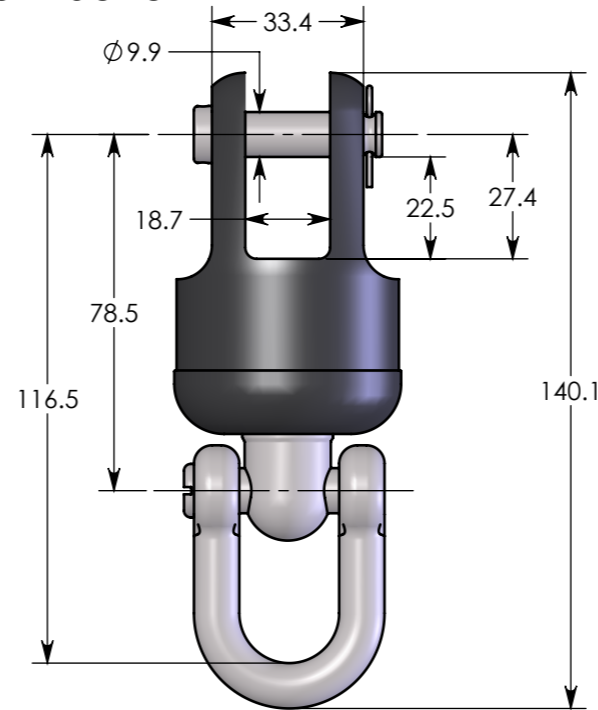
PART No: **Series 160 TD**



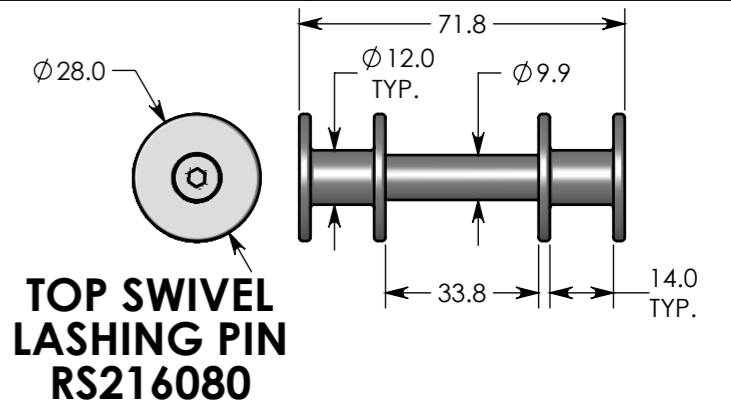
TOP-DOWN FURLER



TOP SWIVEL RS216010



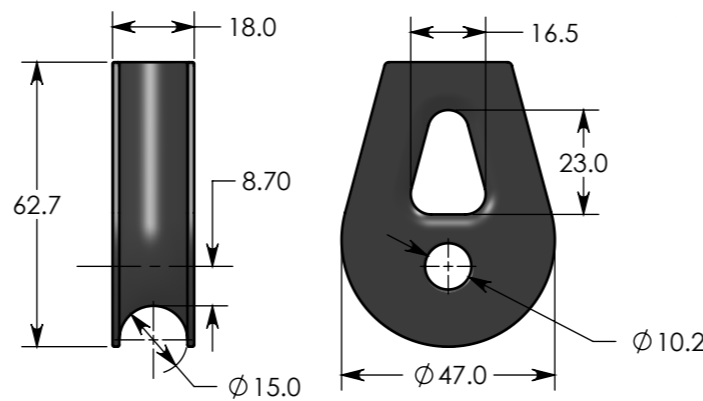
QUICK RELEASE PIN RS216090



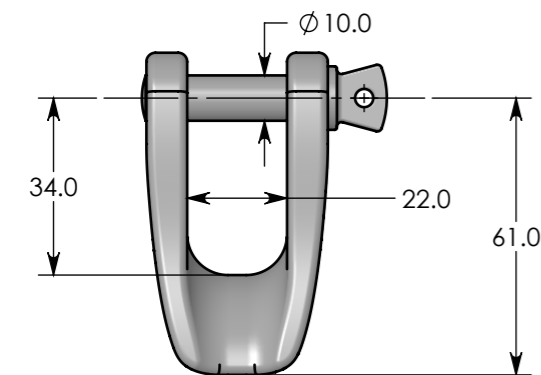
TOP SWIVEL LASHING PIN RS216080



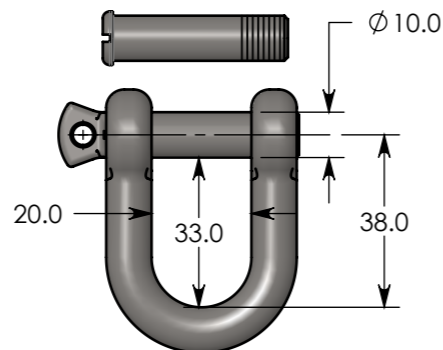
LOOP SHACKLE L5-500-2



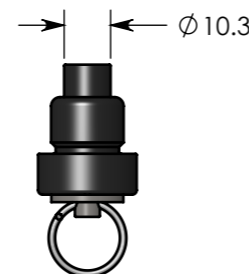
THIMBLE RS216040



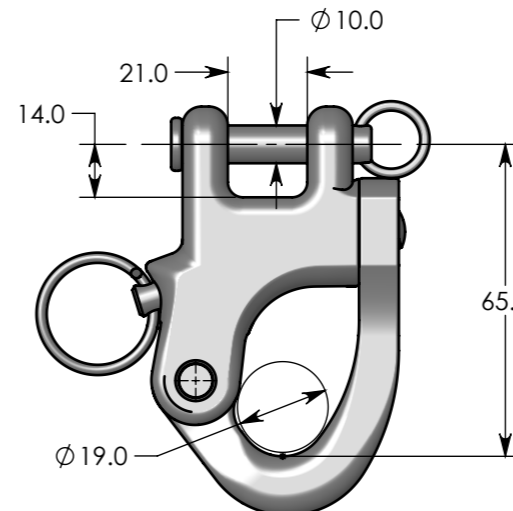
2:1 FAIRLEAD RS216030



SHACKLE RS216050



ROTATION STOP RS216070



SNAP-SHACKLE ADAPTOR RS216020

SPECIFICATIONS: RS216800 S160 GEN 2 TOP-DOWN FURLER SET

- TOP-DOWN FURLER & SHACKLE**
 MWL = 3000kg (6610lb)
 BL = 6000kg (13230lb)
 WEIGHT * = 964g (34.0oz)
 FURLER LINE Ø = 10mm (3/8")
 SHACKLE = 10mm HR
- RS216010 - TOP SWIVEL & SHACKLE**
 MWL = 3000kg (6610lb)
 BL = 6000kg (13230lb)
 WEIGHT * = 300g (10.6oz)
 SHACKLE = 10mm HR

*Weight doesn't include Shackle

ACCESSORIES:

- RS216020 - SNAP SHACKLE ADAPTOR**
 MWL = 2800kg (6170lb)
 BL = 7000kg (15430lb)
 WEIGHT = 257g (9.1oz)
- RS216030 - 2:1 FAIRLEAD**
 MWL = 2640kg (5820lb)
 BL = 6000kg (13230lb)
 WEIGHT = 186g (6.6oz)
- RS216040 - LUFF LINE THIMBLE**
 MATERIAL = AL6061, ANODISED
 WEIGHT = 53g (1.9oz)
- RS216050 - HR SHACKLE, 10mm (PLUS FLUSH PIN)**
 BL = 7500kg (16500lb)
 WEIGHT = 97g (3.4oz)
- RS216070 - FURLER ROTATION STOP**
 WEIGHT = 18g (0.6oz)
- RS216080 - TOP SWIVEL LASHING PIN, 10mm**
 MWL = 3000kg (6610lb)
 BL = 6000kg (13230lb)
 WEIGHT = 90g (3.2oz)
- RS216090 - QUICK RELEASE PIN, 10mm**
 MWL = 3000kg (6610lb)
 BL = 6000kg (13230lb)
 WEIGHT = 26g (0.9oz)
- L5-500-2 - SOFT LOOP SHACKLE, 5mm x 500mm**
 MWL = 1000kg (2200lb)

THE DOCUMENT & THE DESIGN ON IT IS THE EXCLUSIVE PROPERTY OF RONSTAN INTERNATIONAL PTY. LTD. & IS THE SUBJECT OF COPYRIGHT.



DATE: 12/07/13
 ALL DIMS IN MM
 DO NOT SCALE

www.ronstan.com