



CERTIFIED SAFETY RAIL SYSTEMS

A HIGHER STANDARD OF SAFETY





SAFETY RAIL SYSTEMS

A higher standard of safety

Track and car systems have long been used to provide a mobile attachment point for crew when cleaning the hull, superstructure and windows of large motor yachts and other vessels.

With today's greater awareness of workplace risks, boat builders and surveyors are seeking to ensure a high standard of safety by specifying systems that are purpose designed, tested and Standards-approved.

Ronstan supports this approach, which can only improve the safety and security of the persons using these systems in their everyday work, and has developed Safety Rail Systems which have been tested and certified by Lloyd's Register to European Standard EN795:2012 Type D.

Plunger down, car
fixed in position



Plunger up, car ready to
move to new position



PURPOSE

- Ronstan Safety Rail Systems provide a method of attachment for use in conjunction with personal protection equipment to protect against falls from a height, such as when working outside of conventional guardrails for cleaning and maintenance purposes on motor yachts or other vessels. They should not be used for any other purpose.

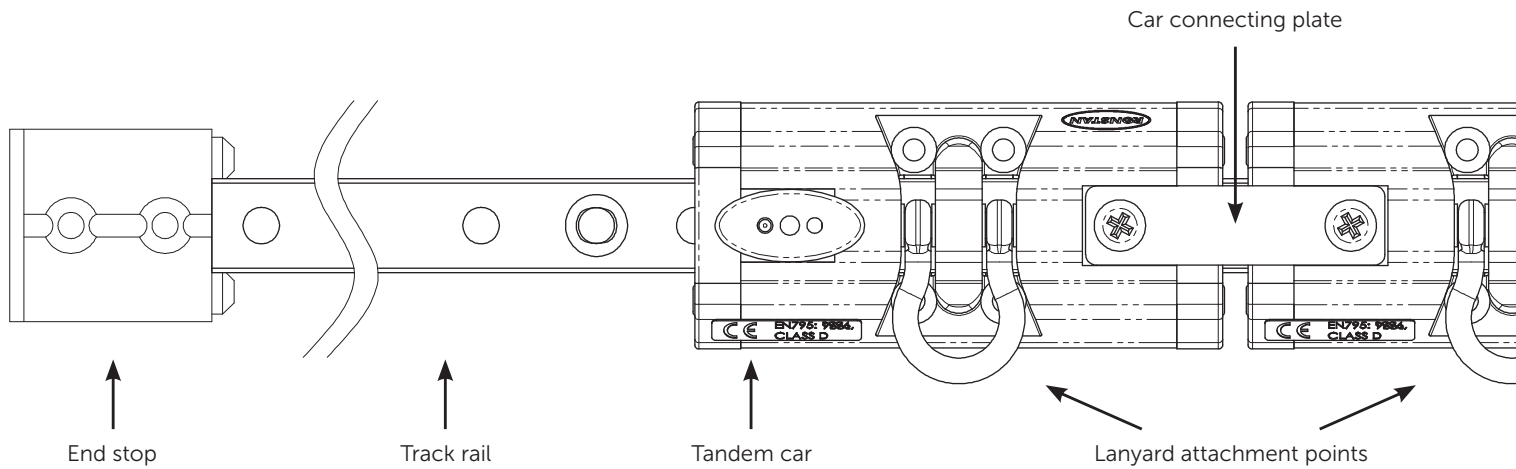
FEATURES

- Certified to European Standard EN795:2012 Type D.
- Marine grade aluminium alloy cars, track rails and end stops, anodised for corrosion protection and long service life.
- Recirculating Torlon®* ball bearings for free running, low friction performance and low maintenance.
- Grade 316 forged stainless steel pivoting shackles for lanyard attachment.
- Rubber buffers for reduced vibration and to lift pivoting shackles away from car body for quick access.
- Spring-loaded stainless steel plunger for simple, positive re-positioning at stop locations. Can be locked in the disengaged position to allow free movement along the track rail. The elliptical knob is easy to grip and turn, and indicates clearly whether the plunger is engaged or not.

*Torlon (is a registered trademark of Solvay Advanced Polymers).

Plunger up and locked, car free to move along track rail





SYSTEM DESCRIPTION

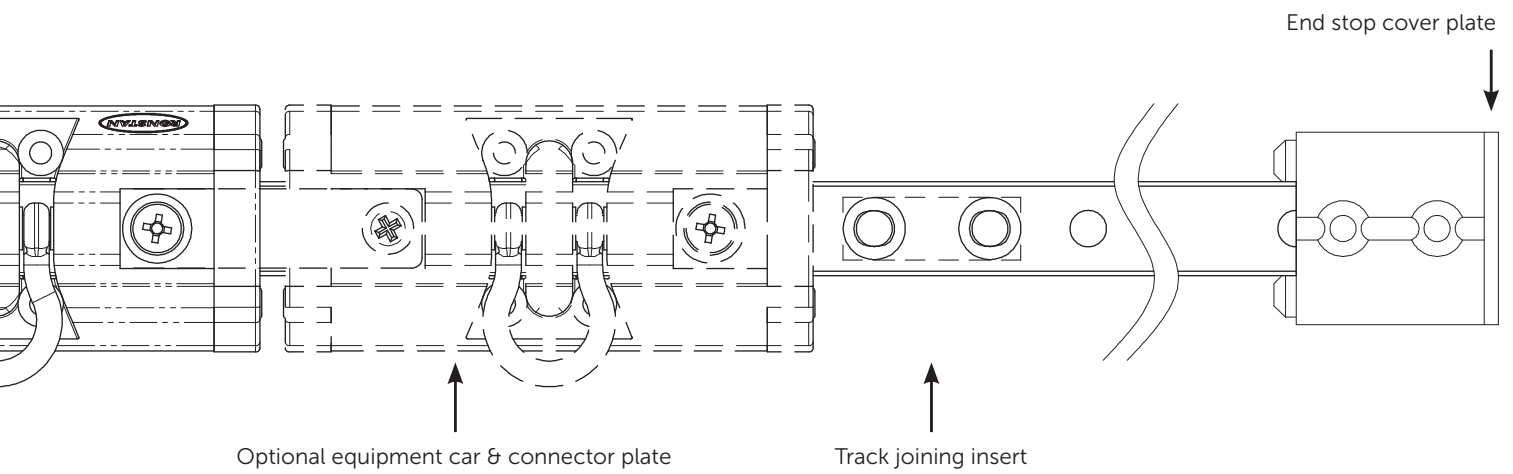
The complete Safety Rail System consists of the following components:

- One track rail with stop holes at 50mm centres and mounting holes at 100mm centres.
- One tandem sliding car assembly consisting of two cars joined together with a connecting plate.
 - Each car has a single attachment point for personal protection equipment.
 - One of the cars has a spring-loaded plunger to allow the assembly to be fixed in position at any of the stop holes in the track rail. This plunger can be disengaged to allow free movement of the car assembly along the rail.
- Two end stops installed at the extremities of the track rail.

OPTIONS

- Longer runs can be achieved by using more than one section of track rail and trimming to length as required, provided that the distance between mounting fasteners never exceeds 100mm. The joining insert should be used to aid alignment when fitting multiple sections of track rail.
- Additional sliding cars for supporting tools or equipment can be connected to the main tandem car with the connector plate.
- Optional end stop cover plates.
- Black or silver anodised cars and track.

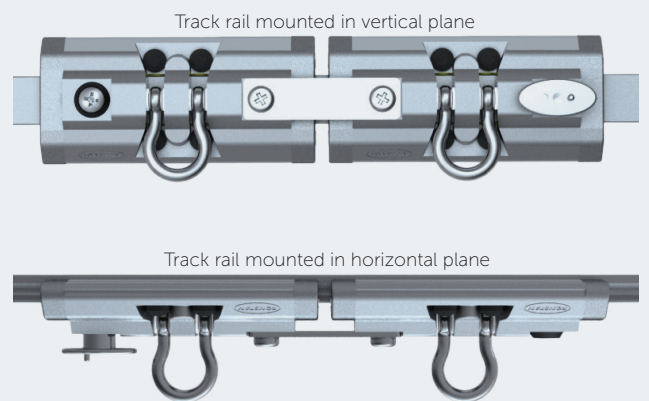




IMPORTANT ADVICE

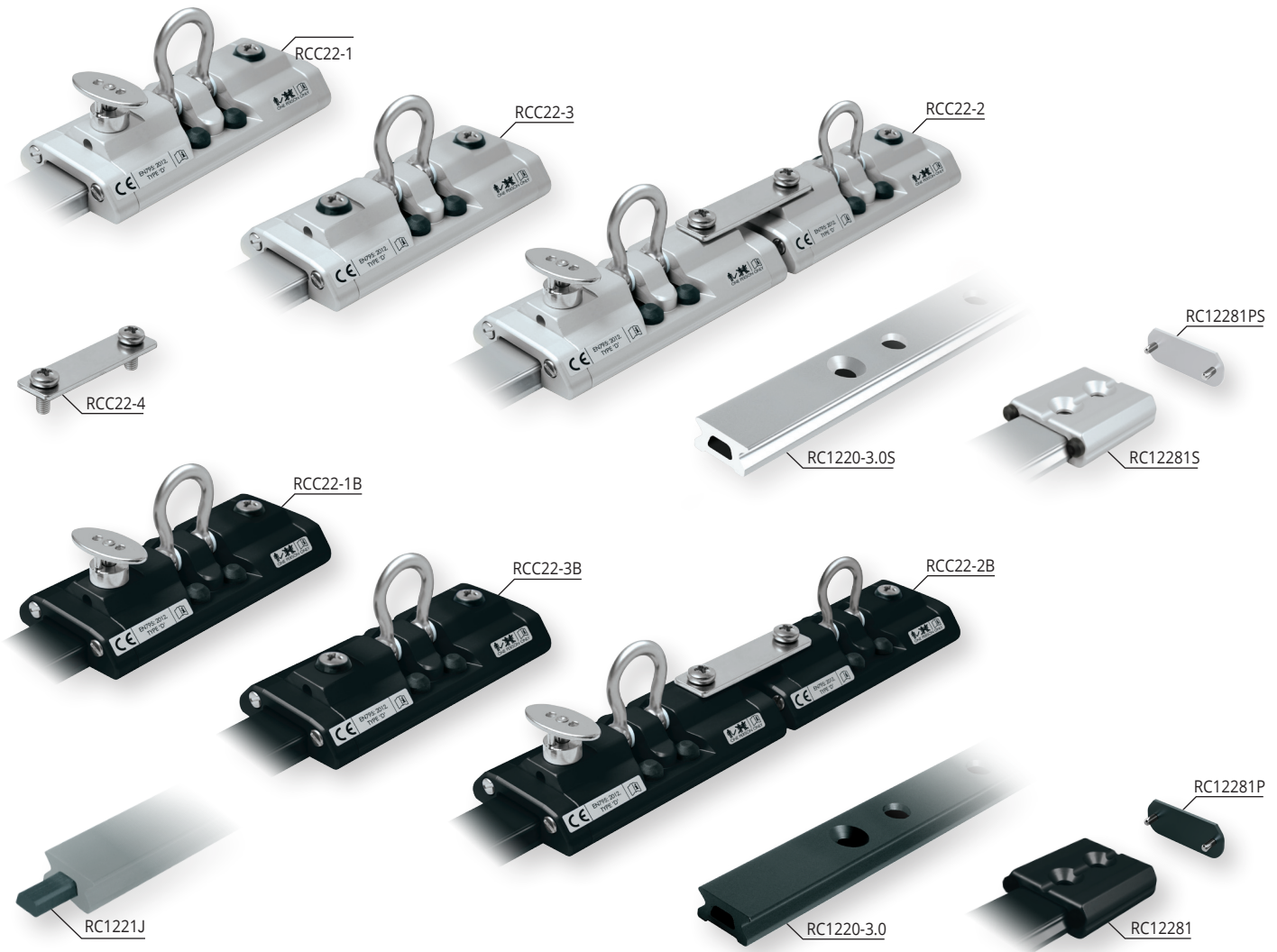
Ronstan Safety Rail Systems are tested and certified to the European Standard EN795:2012 Type D by Lloyd's Register, Copenhagen (Denmark), and are appropriate for single person use with an energy absorber to the EN355 standard. They must only be used with personal protection equipment (harnesses, lanyards, fall arresters and other devices) that are approved to the relevant CE or other standards for such equipment. Each harness or device must be secured to a separate attachment point.

Full product range details can be found on the Ronstan web site, at www.ronstan.com. Installation, usage and maintenance information is available under the SUPPORT tab on the site.





SAFETY RAIL SYSTEMS Series 22



Full installation, usage and maintenance details available under the **SUPPORT** tab of the Ronstan website.

- ✓ Certified to European Standard EN795:2012 Type D.
- ✓ Low friction.
- ✓ Anti-clatter rubber buffers.

- ✓ Lock up/down track position plunger stop.
- ✓ Anodised aluminium car bodies and track.
- ✓ Torlon®* ball bearings.

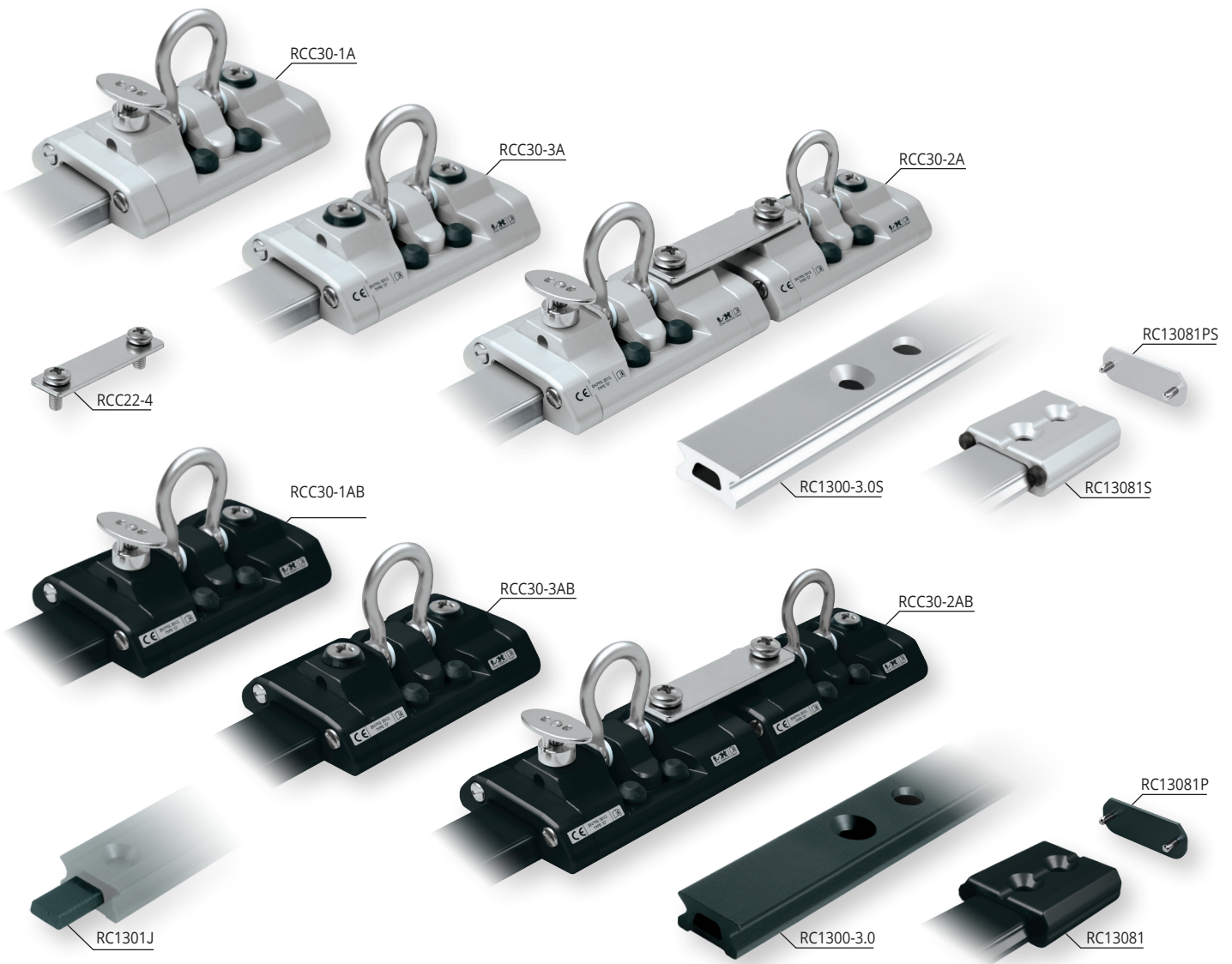
- ✓ Grade 316 shackle, plunger stop, pivot pin, fasteners and connector plate.

PRODUCT No.	DESCRIPTION	LENGTH mm	WIDTH mm	CERTIFIED M.W.L. kg	WEIGHT g	LENGTH in	WIDTH in	CERTIFIED M.W.L. lb	WEIGHT oz
Series 22 Safety Rail System									
RCC22-1	Single car, 1 attachment point, plunger stop, silver	124	58	100	260	4 7/8	2 5/16	220	9.2
RCC22-1B	Single car, 1 attachment point, plunger stop, black	124	58	100	260	4 7/8	2 5/16	220	9.2
RCC22-2	Tandem car, 2 attachment points, plunger stop, silver	254	58	100	530	10	2 5/16	220	18.7
RCC22-2B	Tandem car, 2 attachment points, plunger stop, black	254	58	100	530	10	2 5/16	220	18.7
RCC22-3	Single car, 1 attachment point, silver	124	58	100	240	4 7/8	2 5/16	220	8.5
RCC22-3B	Single car, 1 attachment point, black	124	58	100	240	4 7/8	2 5/16	220	8.5
RCC22-4	Connector plate, including screws	-	-	-	37	-	-	-	1.3
RC1221J	Track rail joiner	-	-	-	4	-	-	-	0.1
RC12281S	Track rail end stop, silver	50	45	-	50	1 31/32	1 25/32	-	1.8
RC12281	Track rail end stop, black	50	45	-	50	1 31/32	1 25/32	-	1.8
RC1220-3.0S	Track rail, silver	2996	22	-	1380	117 15/16	7/8	-	48.7
RC1220-3.0	Track rail, black	2996	22	-	1380	117 15/16	7/8	-	48.7
RC12281P	End stop cover plate, including screws, black	-	45	-	5	-	1 25/32	-	0.2
RC12281PS	End stop cover plate, including screws, silver	-	45	-	5	-	1 25/32	-	0.2

*Torlon (is a registered trademark of Solvay Advanced Polymers).



SAFETY RAIL SYSTEMS Series 30



Full installation, usage and maintenance details available under the **SUPPORT** tab of the Ronstan website.

- ✓ Certified to European Standard EN795:2012 Type D.
- ✓ Low friction.
- ✓ Anti-clatter rubber buffers.

- ✓ Lock up/down track position plunger stop.
- ✓ Suitable for curved track installations with a radius of no less than 2500mm (8'2")

- ⚙ Anodised aluminium car bodies and track.
- ⚙ Torlon®* ball bearings.
- ⚙ Grade 316 shackle, plunger stop, pivot pin, fasteners and connector plate.

PRODUCT No.	DESCRIPTION	LENGTH mm	WIDTH mm	CERTIFIED M.W.L. kg	WEIGHT g	LENGTH in	WIDTH in	CERTIFIED M.W.L. lb	WEIGHT oz
Series 30 Safety Rail System									
RCC22-4	Connector plate, including screws	-	-	-	37	-	-	-	1.3
RCC30-1A	Single car, 1 attachment point, plunger stop, silver	104	77	100	364	4 1/8	3	220	12.9
RCC30-1AB	Single car, 1 attachment point, plunger stop, black	104	77	100	364	4 1/8	3	220	12.9
RCC30-2A	Tandem car, 2 attachment points, plunger stop, silver	215	77	100	720	8 1/2	3	220	25.4
RCC30-2AB	Tandem car, 2 attachment points, plunger stop, black	215	77	100	720	8 1/2	3	220	25.4
RCC30-3A	Single car, 1 attachment point, silver	104	77	100	328	4 1/8	3	220	11.6
RCC30-3AB	Single car, 1 attachment point, black	104	77	100	328	4 1/8	3	220	11.6
RC1301J	Track rail joiner	-	-	-	10	-	-	-	0.4
RC13081S	Track rail end stop, silver	58	55	-	89	2 9/32	2 3/16	-	3.1
RC13081	Track rail end stop, black	58	55	-	89	2 9/32	2 3/16	-	3.1
RC1300-3.0S	Track rail, silver	2996	30	-	2430	117 15/16	1 3/16	-	85.7
RC1300-3.0	Track rail, black	2996	30	-	2430	117 15/16	1 3/16	-	85.7
RC13081P	End stop cover plate, including screws, black	-	55	-	16	-	2 3/16	-	0.6
RC13081PS	End stop cover plate, including screws, silver	-	55	-	16	-	2 3/16	-	0.6

*Torlon (is a registered trademark of Solvay Advanced Polymers).



AUSTRALIA

19 Park Way,
Braeside 3195, Victoria
office@ronstan.com.au
+61 (0)3 8586 2000

USA

45 Highpoint Ave #2
Portsmouth, RI 02871
office@ronstan.us
+1 (401)-293-0539

DENMARK

Jaegervaeget 36,
DK-7100 Vejle
office@ronstan.dk
+45 76 42 77 77



CERTIFIED SAFETY RAIL SYSTEMS

A HIGHER STANDARD OF SAFETY
