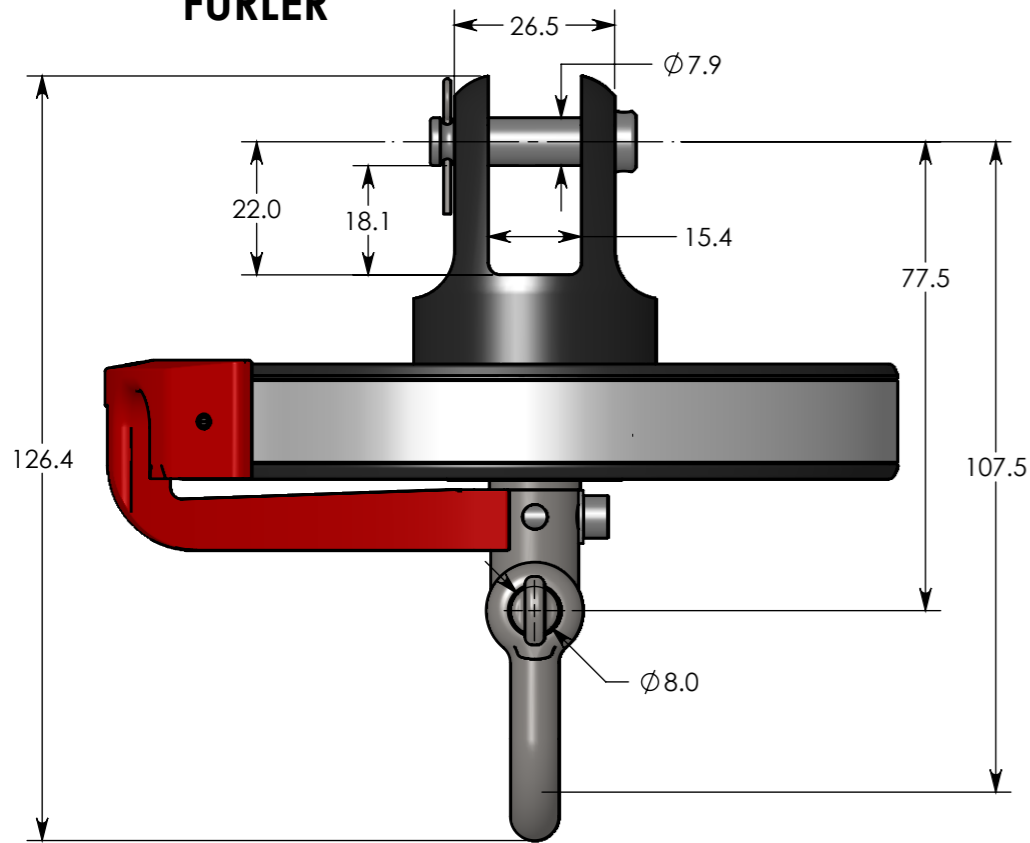
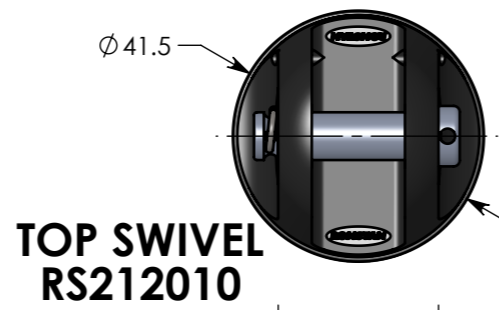
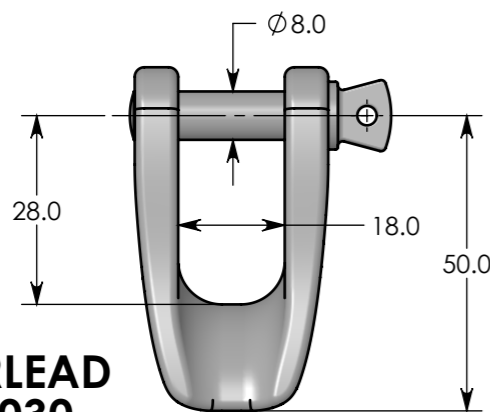


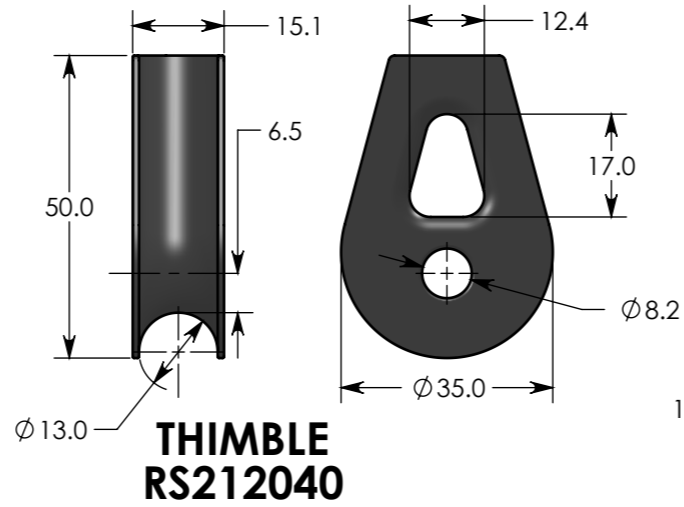
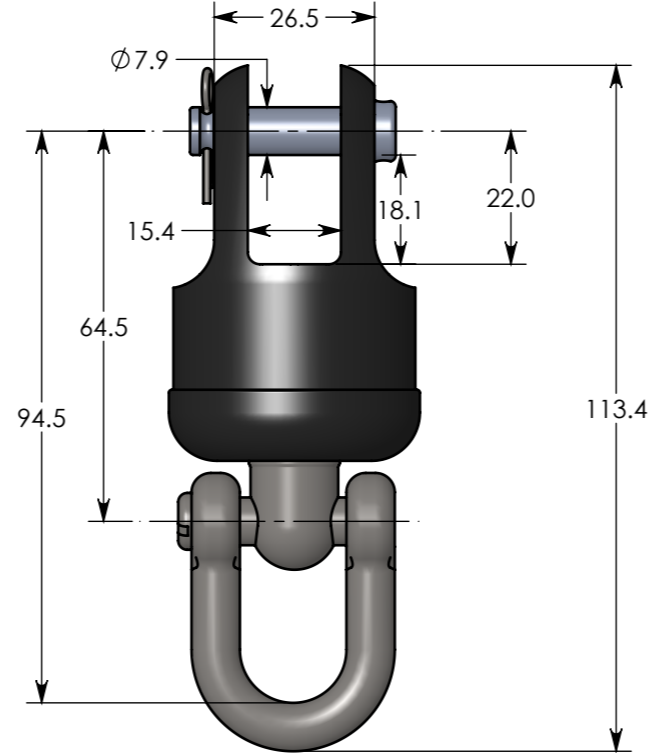
FURLER



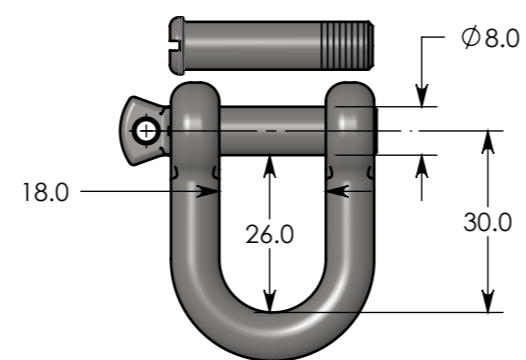
**2:1 FAIRLEAD
RS212030**



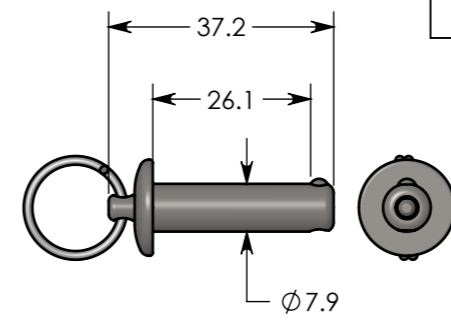
**TOP SWIVEL
RS212010**



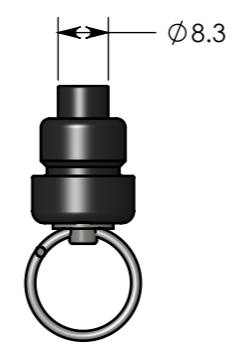
**THIMBLE
RS212040**



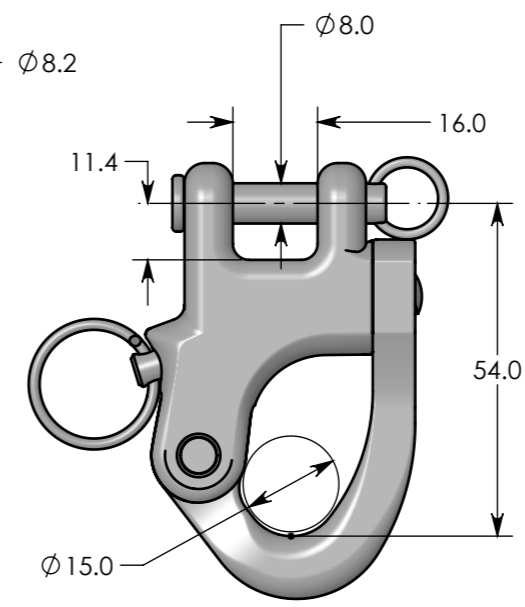
**HR SHACKLE
RS212050**



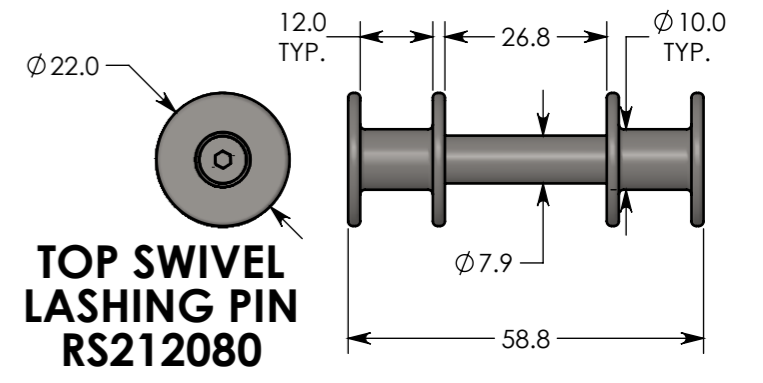
**QUICK
RELEASE PIN
RS212090**



**ROTATION STOP
RS212070**



**SNAP-SHACKLE
ADAPTOR
RS212020**



**TOP SWIVEL
LASHING PIN
RS212080**

**SPECIFICATIONS: RS212700
S120 GEN 2 FURLER SET**

FURLER & SHACKLE
 MWL = 1800kg (3970lb)
 BL = 3600kg (7940lb)
 WEIGHT * = 383g (13.5oz)
 FURLER LINE Ø = 8mm (5/16")
 SHACKLE = 8mm HR

RS212010 - TOP SWIVEL & SHACKLE WITH FLUSH PIN
 MWL = 1800kg (3970lb)
 BL = 3600kg (7940lb)
 WEIGHT * = 162g (5.7oz)
 SHACKLE = 8mm HR

*Weight doesn't include Shackle

ACCESSORIES:

RS212020 - SNAP SHACKLE ADAPTOR
 MWL = 1280kg (2820lb)
 BL = 3850kg (8490lb)
 WEIGHT = 130g (4.6oz)

RS212030 - 2:1 FAIRLEAD
 MWL = 1760kg (3880lb)
 BL = 4100kg (9040lb)
 WEIGHT = 96g (3.4oz)

RS212040 - THIMBLE
 MATERIAL = AL6061, ANODISED
 WEIGHT = 23g (0.8oz)

RS212050 - HR SHACKLE, 8mm (PLUS FLUSH PIN)
 BL = 4400kg (9700lb)
 WEIGHT = 55g (1.9oz)

RS212070 - FURLER ROTATION STOP
 WEIGHT = 10g (0.3oz)

RS212080 - TOP SWIVEL LASHING PIN, 8mm
 MWL = 1800kg (3970lb)
 BL = 3600kg (7940lb)
 WEIGHT = 48g (1.7oz)

RS212090 - QUICK RELEASE PIN, 8mm
 MWL = 1800kg (3970lb)
 BL = 3600kg (7940lb)
 WEIGHT = 14g (0.5oz)

THE DOCUMENT & THE DESIGN ON IT IS THE EXCLUSIVE PROPERTY OF RONSTAN INTERNATIONAL PTY. LTD. & IS THE SUBJECT OF COPYRIGHT.



DATE: 12/07/13
 ALL DIMS IN MM
 DO NOT SCALE

www.ronstan.com