

Tylaska SS Plunger Pin Lifting Hooks

SS Series Stainless Steel Plunger Pin Hooks

- Meets CE requirements for approval as a lifting accessory.
- Fully traceable load-bearing components.
- 100% stainless steel components.
- Every hook is proof tested to 4.5 times the Working Load Limit.
- Plunger pin style lock and self-closing latch design ensures that the hook will not open under load.
- 17-4PH components are heat treated to a specific condition to ensure a high resistance to corrosion cracking.
- Fatigue rated at 3 times the Working Load Limit at 20,000 cycles.
- If properly installed and locked, SS hooks can be used for personnel lifting applications in accordance with OSHA rule 1926.1431(g)(1)(i)(A).



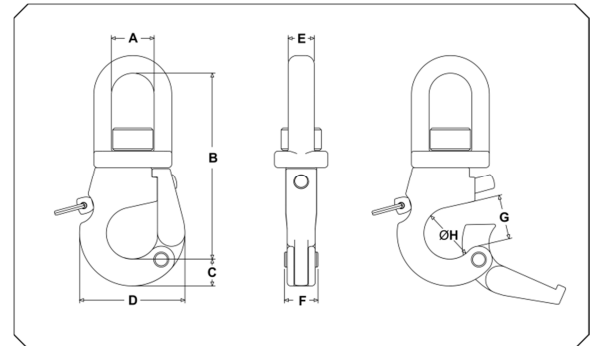
Model	Part Number	Working Load Limit (lb. [t])*		Dimensions (in. [mm])								Weight (lb [kg])
		8:1	10:1	A	B	C	D	E	F	G	H	
SS20L-S	TY2020L-S	4,410 [2.0]	3,530 [1.6]	1.18 [30]	5.22 [133]	0.73 [19]	2.94 [75]	0.74 [19]	0.97 [25]	1.25 [32]	1.45 [37]	2.4 [1.1]
SS20L-C	TY2020L-C	4,410 [2.0]	3,530 [1.6]	1.16 [30]	4.89 [124]	0.73 [19]	2.94 [75]	0.69 [18]	0.97 [25]	1.25 [32]	1.45 [37]	2.7 [1.2]
SS40L-S	TY2040L	11,020 [5.0]	8,820 [4.0]	1.86 [47.2]	8.98 [228.1]	1.20 [30.5]	4.61 [117]	1.15 [29]	1.40 [36]	1.98 [50]	2.29 [58]	8.8 [4.0]

*The 8:1 design factor should be used for general lifting applications. For personnel lifting, a minimum design factor of 10:1 is required.

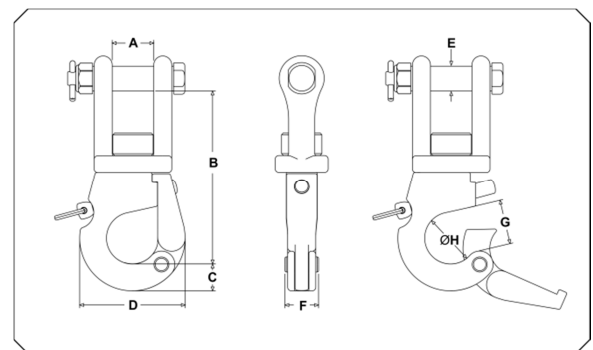
⚠ WARNING

LOAD DISENGAGEMENT CAN RESULT IN SERIOUS INJURY OR DEATH

- Read and understand instructions before using hook.
- Never exceed the specified Working Load Limit (WLL).
- Never use a hook with missing or illegible manufacturer or rated load identification.
- Never ride on hook or load.
- Always comply with local and Federal regulations.
- Always ensure latch is closed and locked with the plunger pin fully engaged before loading hook.
- Keep hands and body from between hook and load.
- Never use tip of hook for lifting.
- Never use a damaged or excessively worn hook.
- Never use hook in temperatures in excess of 400°F (204°C) or below -40°F (-40°C).



Standard Bail "S" Model



Clevis Bail "C" Model

Instructions for Use

- All hooks shall be inspected periodically for wear, cracks, nicks, gouges, corrosion, and deformation by a qualified person in compliance with ASME B30.10.
- Never modify or repair a hook by means of heating, welding, or bending.
- Remove hook from service if it found to have any of the following defects:
 - Cracks, nicks, or gouges
 - Excessive pitting or corrosion
 - Wear exceeding 10% of the original section dimension
 - Any visible twist or bend from the plane of the unbent hook
 - Any deformation that prevents the plunger pin from fully engaging the latch when closed.
 - Damaged or missing nut pin allowing for the nut to tighten or loosen freely.
 - Missing or illegible manufacturer identification or rated load identification
 - Inability of latch to lock closed
 - Evidence of excessive heat exposure or unauthorized welding
 - Evidence of unauthorized alterations such as drilling, machining, grinding or other modifications
- Never load the hook to the side, back, or on the hook tip. (See Figure 2)
- Load shall be centered on the saddle of the hook. (See Figure 1a)
- The hook latch must be closed and in the locked position during use.
- No more than two (2) slings shall be placed on the hook saddle. The angle from vertical to the leg nearest the hook tip shall not be greater than 45 degrees and the included angle between the legs shall not exceed 90 degrees. (See Figure 1b)
- Never use hook in highly alkaline or acidic environments.
- Never swivel the bail while under load. The swivel function of the bail is intended for unloaded positioning only.
- Understand applicable regulations and safety standards before using hook. OSHA standard 1910.184 describes the safe operating practices, inspection requirements, product identification, and use limitations of slings. Additional information can be found in ASME standards B30.9 – *Slings*, B30.10 – *Hooks*, B30.16 – *Overhead Hoists (Underhung)*, B30.21 – *Manually Lever Operated Hoists*, and B30.5 – *Mobile and Locomotive Cranes*.
- When using the hook for personnel hoisting or man riding applications, never exceed the listed 10:1 Working Load Limit and ensure that the lift system is in full compliance with OSHA rule 1926.1431.

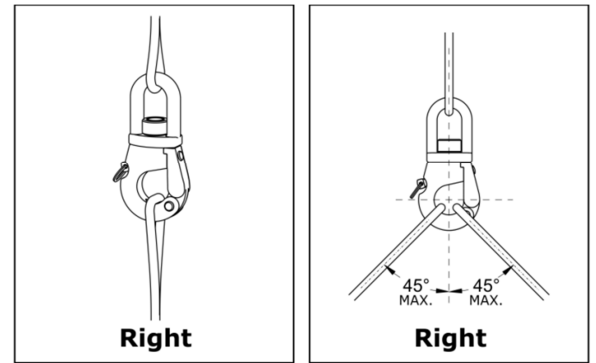


FIGURE 1a

FIGURE 1b

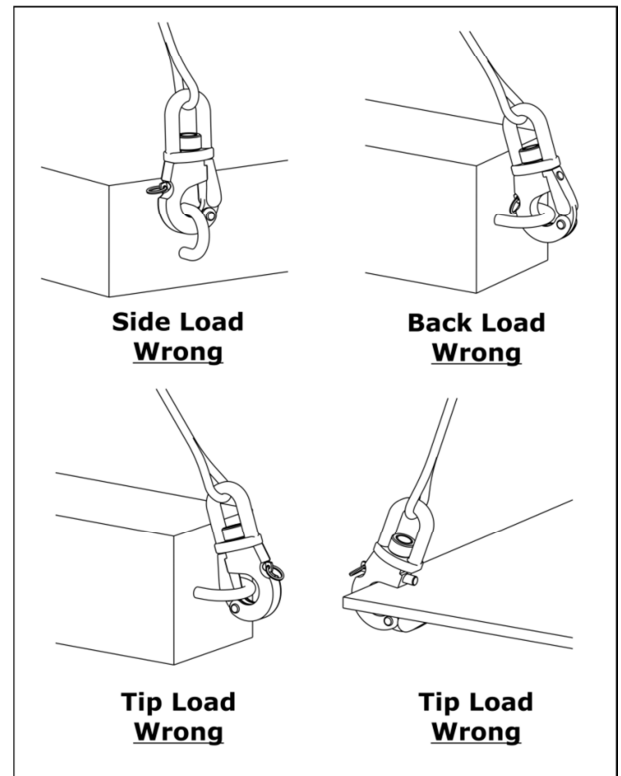
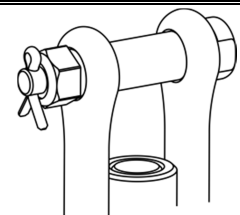


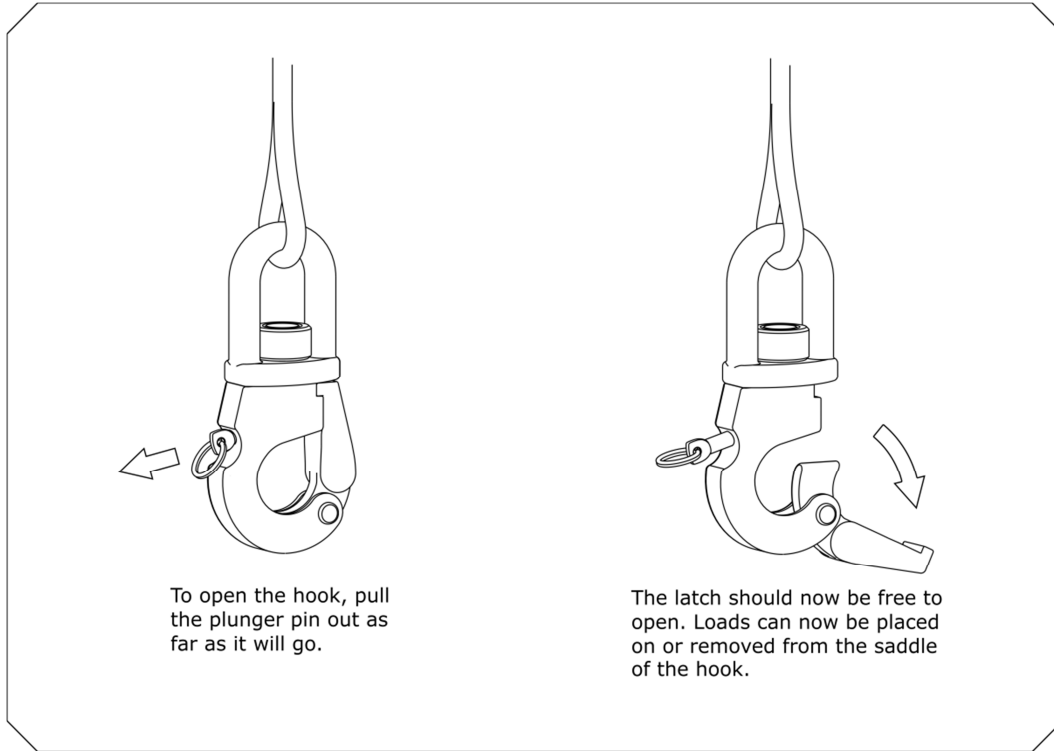
FIGURE 2

Additional Instructions for Clevis Bail Models

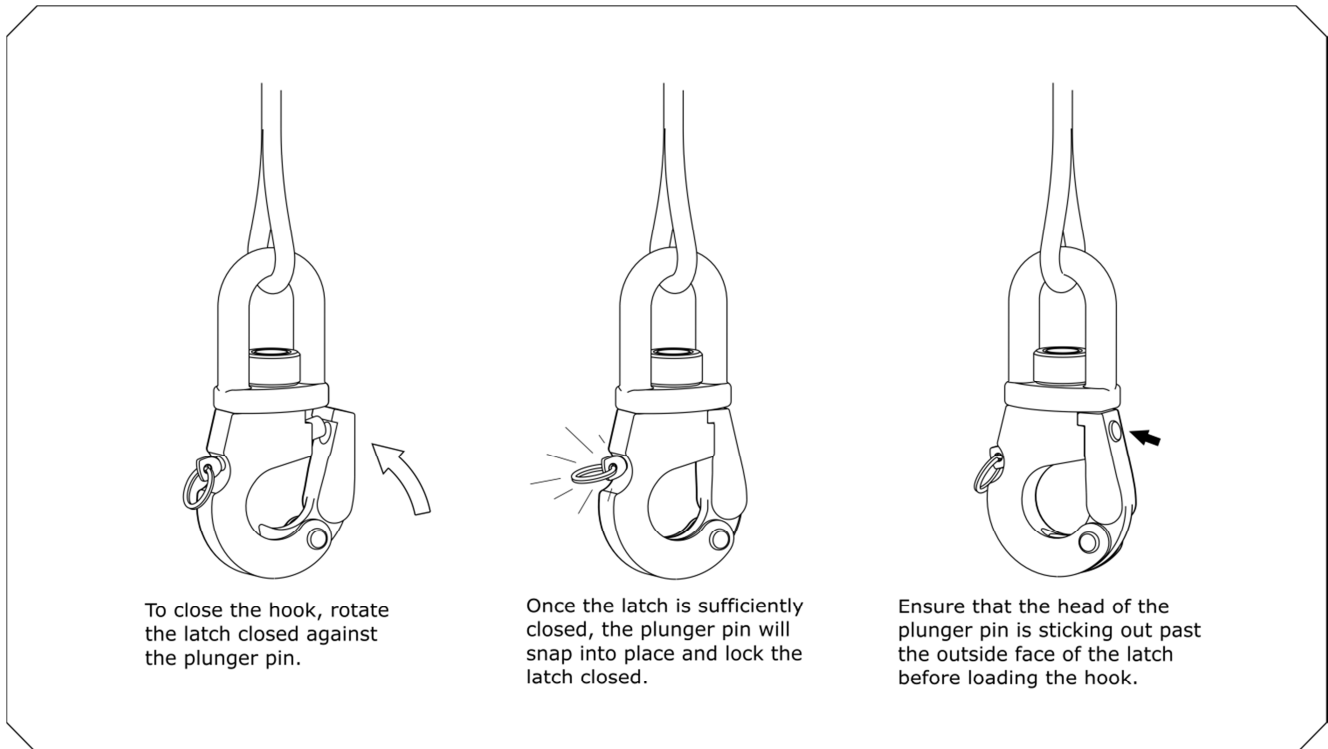
- Always ensure that the clevis pin is properly installed and secured with the supplied nut and cotter pin before loading the hook.
- Only use the supplied genuine Tylaska clevis pin and nut. Contact Tylaska for replacement clevis pins, nuts, and cotter pins.
- Immediately replace a cracked, worn, corroded, or otherwise damaged cotter pin.



Instructions for Use



Opening Hook



Closing and Locking Hook